

1 CYLINDER ALUMINUM TRUCK
 FRAME MATERIAL: ALUMINUM
 WHEELS: PNEUMATIC
 BRAKE: YES
 LOAD CAPACITY: 600 LBS.
 TUBING: 1 SCH 40 AL PIPE 6063T6
 WIDTH: 20"
 DEPTH: 16"
 HEIGHT: 50"
 SHOE SIZE: 12-1/2 WIDE X 4 DEEP

PROPRIETARY AND CONFIDENTIAL

THE INFORMATION CONTAINED IN THIS DRAWING IS THE SOLE PROPERTY OF VALLEY CRAFT. ANY REPRODUCTION IN PART OR AS A WHOLE WITHOUT THE WRITTEN PERMISSION OF VALLEY CRAFT IS PROHIBITED.

UNLESS OTHERWISE SPECIFIED:

DECIMALS
 2 PLACES ±0.01
 3 PLACES ±0.005
 ANGLE ±1°

GRIND/SAND SHARP EDGES .015 MAX DOES NOT APPLY TO DRILLED HOLE DIA.



TITLE: TRK-CYL 9"/200AA

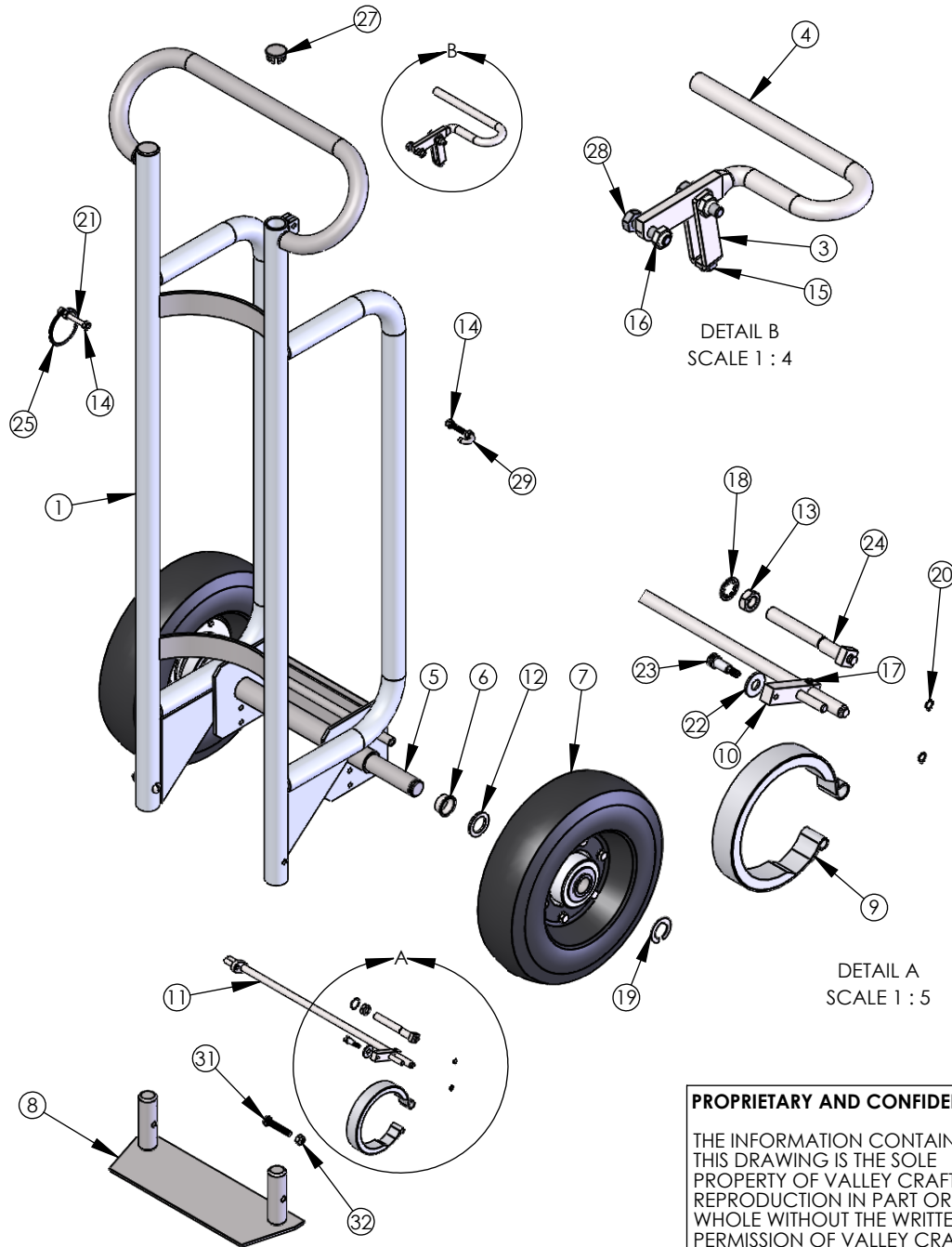
C	E22-058	REPLACED Z10076A7 W/ Z10184A6	DN	09/26/2022
CHG.	E.C.O.	DESCRIPTION / WAS	BY	DATE

ALL ANGLES ARE 90° UNLESS SPECIFIED

	NAME	DATE
DRAWN	DN	11/14/2019
CHECKED		
ENG APPR.		

SIZE	PART NO.
A	F81238A9
	MATL: Material <not specified>
SCALE: 1:16	WEIGHT: 55.11 SHEET 1 OF 3

Not Modeled F60180A1: BRAKE CABLE ASSEMBLY Qty. 1
 Z30043A5: CHAIN Qty. 2.3 ft.



ITEM NO.	PART NUMBER	DESCRIPTION	QTY.
1	F60480A8	F W/200AA	1
2	F30012A8	LINK-CONN/825	2
3	F30014A6	CLEVIS-BRK CABLE	1
4	F30047A7	HDL-BRK/LOOP 500	1
5	F30069A0	AXLE-815	1
6	F57260A9	BRG-STL FLG 1.01X1.05X.5	2
7	F60032A1	WHL-12 AIR BRK	2
8	F60424A7	SHOE WLDMT-S/4X12.5	1
9	F62177A2	BRK BAND ASSY	2
10	F68656A4	BRK ROD PIN WLDMT	1
11	F68892A8	BRK ROD WLDMT-14.75	1
12	Z10013A3	BUSH-MACH 1x10Gax1-1/2 OD	2
13	Z10030A2	NUT-HEX JAM 3/8-24	2
14	Z10035A7	NUT-HEX KEPS 1/4-20	4
15	Z10041A9	NUT-HEX MACH #10-32	1
16	Z10043A7	NUT-NYL NE 1/4-20	2
17	Z10069A6	PIN-SPG 3/16X5/8	1
18	Z10209A7	WASHER-3/8 LOCK INT TOOTH	2
19	Z10223A9	RING-RTNG 1	2
20	Z10231A9	RING-RTNG 1/4	4
21	Z10258A7	S-FIL #1/4-20x2	1
22	Z10602A2	WASHER-1/4 FLAT SAE	1
23	Z10805A2	BOLT-STRIPPER 1/4X1/2	1
24	Z30012A2	ECC-BRK SHORT	2
25	Z30701A7	RING-SPLIT 2.240	1
27	Z50056A7	PLUG BOTTOM-1 1/8 ZP	2
28	Z10112A3	S-HHC 1/4-20X1	2
29	Z10515A6	BOLT-J 1/4-20X2-5/16 STL	1
31	Z10184A6	S-RHM 5/16-18X1-3/4	2
32	Z10045A5	NUT-NYL NE 5/16-18	2

PROPRIETARY AND CONFIDENTIAL
 THE INFORMATION CONTAINED IN THIS DRAWING IS THE SOLE PROPERTY OF VALLEY CRAFT. ANY REPRODUCTION IN PART OR AS A WHOLE WITHOUT THE WRITTEN PERMISSION OF VALLEY CRAFT IS PROHIBITED.

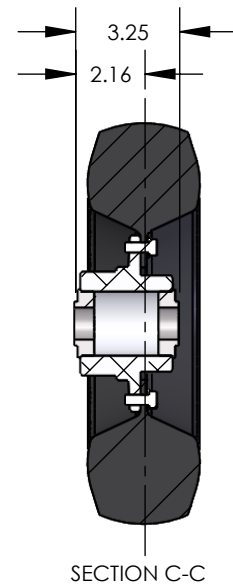
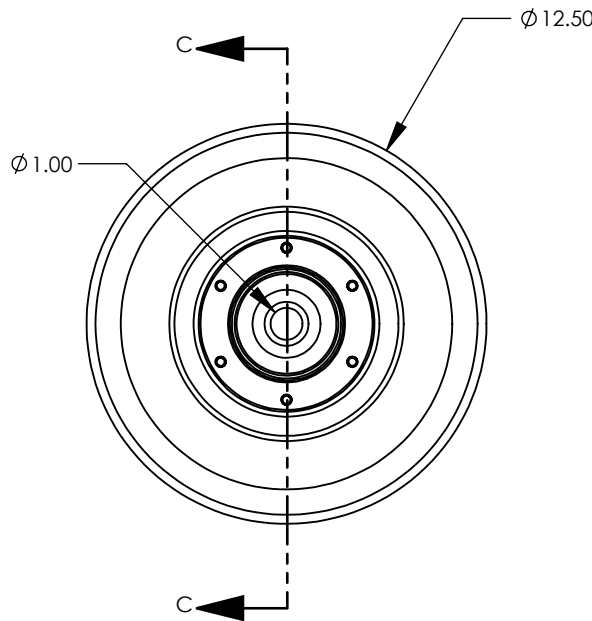
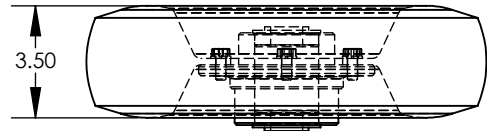
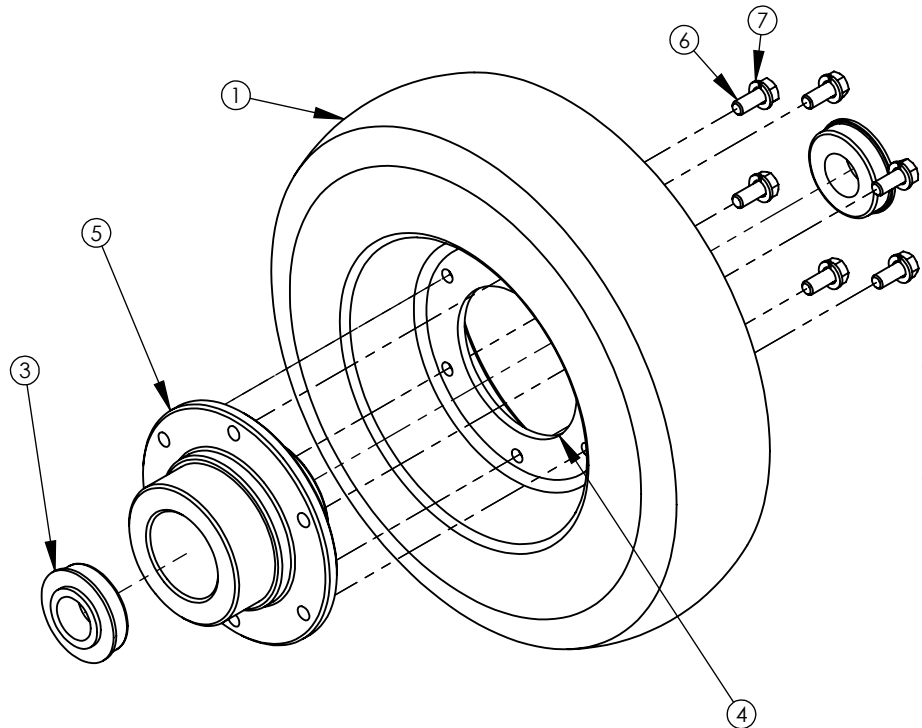
UNLESS OTHERWISE SPECIFIED:
 DECIMALS
 2 PLACES ±0.01
 3 PLACES ±0.005
 ANGLE ±1°
 GRIND/SAND SHARP EDGES .015 MAX
 DOES NOT APPLY TO DRILLED HOLE DIA.



TITLE:		TRK-CYL 9"/200AA	
SIZE	PART NO.	F81238A9	
DRAWN	CHECKED	MATERIAL: Material <not specified>	
ENG APPR.		SCALE: 1:16	WEIGHT: 55.11 SHEET 2 OF 3

C	E22-058	REPLACED Z10076A7 W/ Z10184A6	DN	09/26/2022
CHG.	E.C.O.	DESCRIPTION / WAS	BY	DATE

ALL ANGLES ARE 90° UNLESS SPECIFIED



- 1. TIRE SIZE: 12.5 X 3.50
- 2. TREAD PATTERN: SAWTOOTH
- 3. WHEEL MATERIAL: RUBBER
- 4. LOAD CAP./WHEEL: 1535#
- 5. WEIGHT/WHEEL: 8#
- 6. OVERALL HUB WIDTH: 3.25
- 7. OFFSET CENTER OF
- 8. WHEEL TO END OF HUB: 2.16
- 9. HUB MATERIAL: ALUMINUM
- 10. BEARING TYPE: BALL
- 11. BORE OR AXLE SIZE: 1.00
- 12. HUB COLOR: SILVER
- 13. GREASE ZERK: NO
- 14. VENDOR: FASTENAL COMPANY

Item Number	Part Number	Description	Qty.
1	Z30007A9	TIRE-AIR 12	1
2	Z30008A8	TUBE-AIR 12	1
3	Z30002A4	BEARING-FLG 1/RPMT	2
4	Z30054A1/R70054	RIM-FEMALE AIR 12B -- CS use R70054 as RPMTS	1
5	Z30055A0/R70055	RIM-MALE AIR 12B -- CS use R70055 as RPMTS	1
6	Z10139A2	S-HHC 3/8-24X5/8	6
7	Z10214A0	WASHER-3/8 LOCK MD	6

PROPRIETARY AND CONFIDENTIAL
 THE INFORMATION CONTAINED IN THIS DRAWING IS THE SOLE PROPERTY OF VALLEY CRAFT. ANY REPRODUCTION IN PART OR AS A WHOLE WITHOUT THE WRITTEN PERMISSION OF VALLEY CRAFT IS PROHIBITED.

UNLESS OTHERWISE SPECIFIED:
 DECIMALS
 2 PLACES ±0.01
 3 PLACES ±0.005
 ANGLE ±1°
 GRIND/SAND SHARP EDGES .015 MAX
 DOES NOT APPLY TO DRILLED HOLE DIA.

2001 South Hwy. 61, Lake City, MN 55041-9555, U.S.A.

TITLE: WHL-12 AIR BRK

A			10/31/2009
CHG.	E.C.O.	DESCRIPTION / WAS	BY DATE

ALL ANGLES ARE 90° UNLESS SPECIFIED

	NAME	DATE
DRAWN		
CHECKED		
ENG APPR.		

SIZE	PART NO.
A	F60032A1
	MATL:
SCALE: 1:6	WEIGHT:
	SHEET 3 OF 3