

1 CYLINDER ALUMINUM TRUCK  
 FRAME MATERIAL: ALUMINUM  
 WHEELS: PNEUMATIC  
 BRAKE: YES  
 LOAD CAPACITY: 600 LBS.  
 TUBING: 1 SCH 40 AL PIPE  
 WIDTH: 23"  
 DEPTH: 20"  
 HEIGHT: 49"  
 SHOE SIZE: 16 WIDE X 8 DEEP  
 14-1/2" X 8" USEABLE SHOE SIZE

**PROPRIETARY AND CONFIDENTIAL**

THE INFORMATION CONTAINED IN THIS DRAWING IS THE SOLE PROPERTY OF VALLEY CRAFT. ANY REPRODUCTION IN PART OR AS A WHOLE WITHOUT THE WRITTEN PERMISSION OF VALLEY CRAFT IS PROHIBITED.

**UNLESS OTHERWISE SPECIFIED:**

DECIMALS  
 2 PLACES ±0.01  
 3 PLACES ±0.005  
 ANGLE ±1°

**GRIND/SAND SHARP EDGES .015 MAX DOES NOT APPLY TO DRILLED HOLE DIA.**



**TITLE:** TRK-CYL 14"/275AA

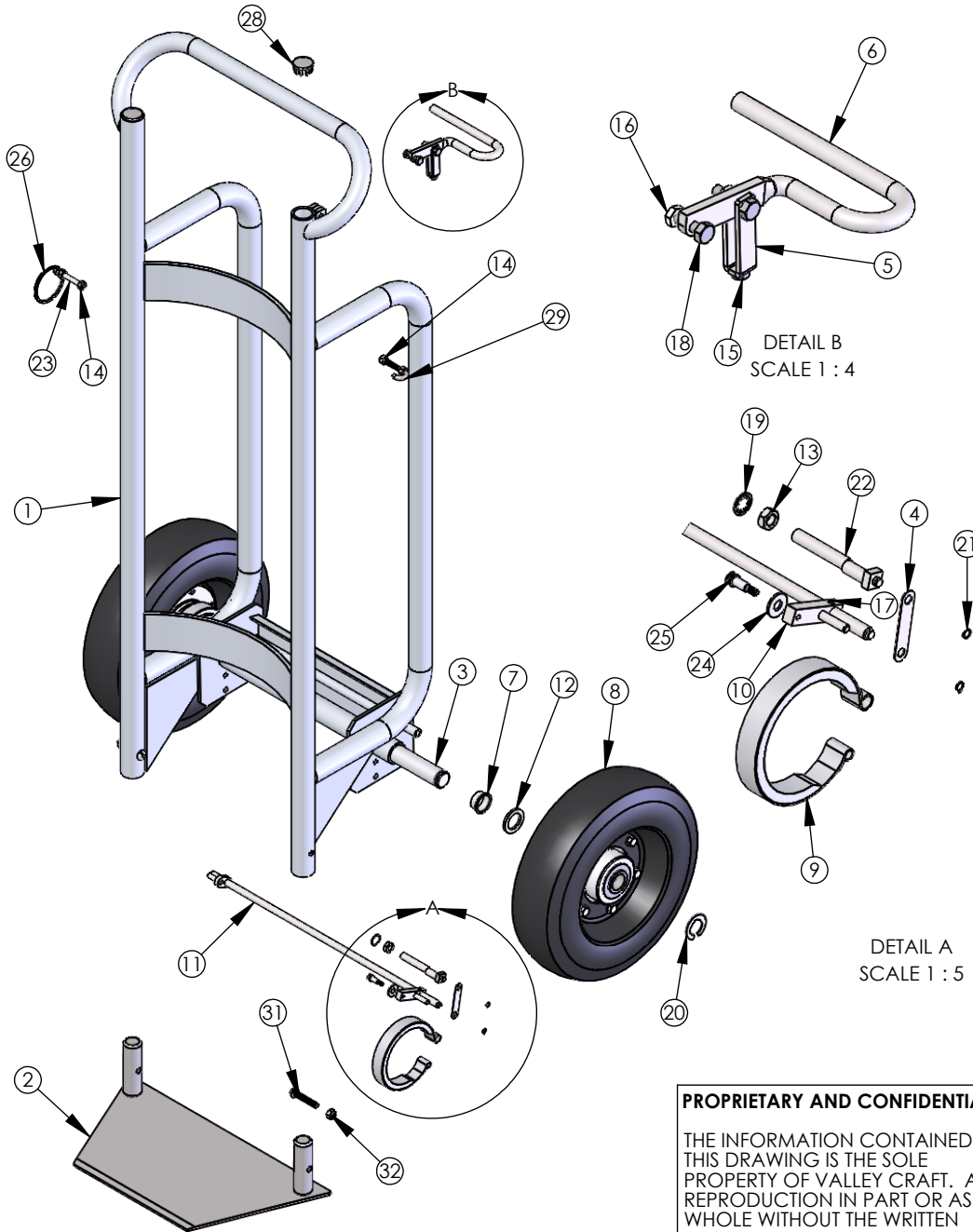
C	E22-058	REPLACED Z10076A7 W/ Z10184A6	DN	09/26/2022
CHG.	E.C.O.	DESCRIPTION / WAS	BY	DATE

**ALL ANGLES ARE 90° UNLESS SPECIFIED**

	NAME	DATE
DRAWN	DN	11/15/2019
CHECKED		
ENG APPR.		

SIZE	<b>PART NO.</b>
<b>A</b>	F81303A9
	<b>MATL:</b> Material <not specified>
SCALE: 1:16	WEIGHT: 54.65 SHEET 1 OF 3

Not Modeled F60180A1: BRAKE CABLE ASSEMBLY Qty. 1  
 Z30043A5: CHAIN Qty. 2.8 ft.



ITEM NO.	PART NUMBER	DESCRIPTION	QTY.
1	F60486A2	F W/275AA	1
2	F60975A0	SHOW WLDMT-S/8X16 L	1
3	F30001A1	AXLE-800SS	1
4	F30012A8	LINK-CONN/825	2
5	F30014A6	CLEVIS-BRK CABLE	1
6	F30047A7	HDL-BRK/LOOP 500	1
7	F57260A9	BRG-STL FLG 1.01X1.05X.5	2
8	F60032A1	WHL-12 AIR BRK	2
9	F62177A2	BRK BAND ASSY	2
10	F68894A4	BRK ROD PIN WLDMT	1
11	F68894A6	BRK ROD WLDMT-18.13	1
12	Z10013A3	BUSH-MACH 1x10Gax1-1/2 OD	2
13	Z10030A2	NUT-HEX JAM 3/8-24	2
14	Z10035A7	NUT-HEX KEPS 1/4-20	4
15	Z10041A9	NUT-HEX MACH #10-32	1
16	Z10043A7	NUT-NYL NE 1/4-20	2
17	Z10069A6	PIN-SPG 3/16X5/8	1
18	Z10112A3	S-HHC 1/4-20X1	2
19	Z10209A7	WASHER-3/8 LOCK INT TOOTH	2
20	Z10223A9	RING-RTNG 1	2
21	Z10231A9	RING-RTNG 1/4	4
22	Z30012A2	ECC-BRK SHORT	2
23	Z10258A7	S-FIL #1/4-20x2	1
24	Z10602A2	WASHER-1/4 FLAT SAE	1
25	Z10805A2	BOLT-STRIPPER 1/4X1/2	1
26	Z30701A7	RING-SPLIT 2.240	1
28	Z50056A7	PLUG BOTTOM-1 1/8 ZP	2
29	Z10515A6	BOLT-J 1/4-20X2-5/16 STL	1
31	Z10184A6	S-RHM 5/16-18X1-3/4	2
32	Z10045A5	NUT-NYL NE 5/16-18	2

**PROPRIETARY AND CONFIDENTIAL**  
 THE INFORMATION CONTAINED IN THIS DRAWING IS THE SOLE PROPERTY OF VALLEY CRAFT. ANY REPRODUCTION IN PART OR AS A WHOLE WITHOUT THE WRITTEN PERMISSION OF VALLEY CRAFT IS PROHIBITED.

**UNLESS OTHERWISE SPECIFIED:**  
 DECIMALS  
 2 PLACES ±0.01  
 3 PLACES ±0.005  
 ANGLE ±1°  
 GRIND/SAND SHARP EDGES .015 MAX  
 DOES NOT APPLY TO DRILLED HOLE DIA.



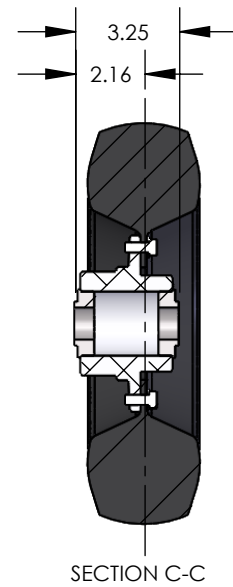
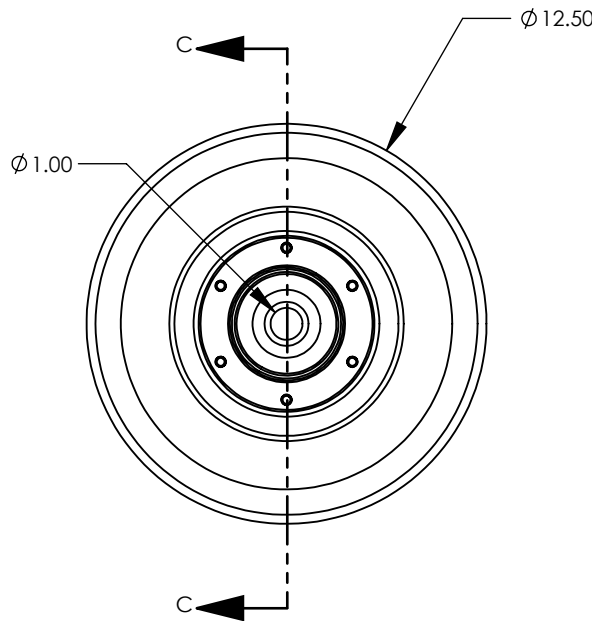
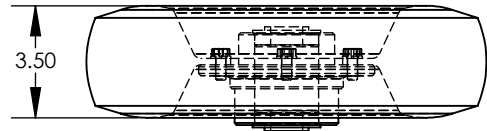
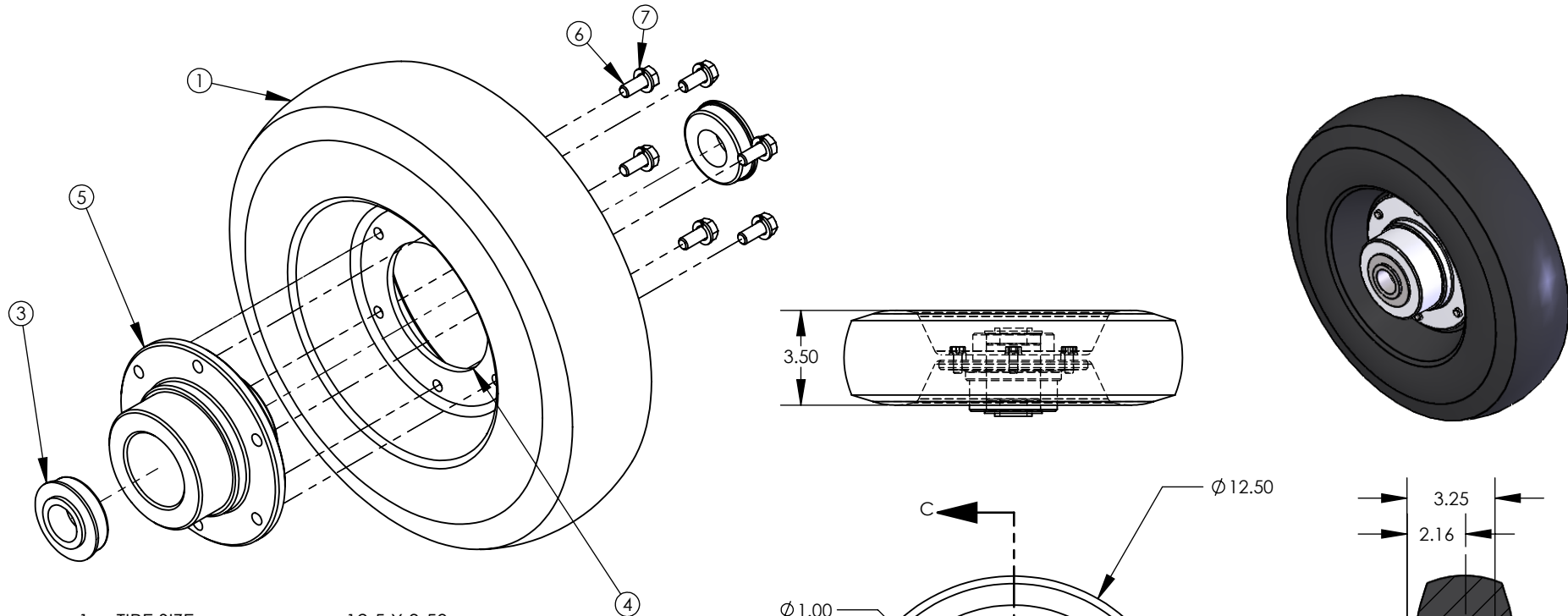
**TITLE:** TRK-CYL 14"/275AA

	NAME	DATE
DRAWN	DN	11/15/2019
CHECKED		
ENG APPR.		

SIZE	<b>PART NO.</b>
A	F81303A9
	<b>MATL:</b> Material <not specified>
SCALE: 1:16	WEIGHT: 54.65 SHEET 2 OF 3

C	E22-058	REPLACED Z10076A7 W/ Z10184A6	DN	09/26/2022
CHG.	E.C.O.	DESCRIPTION / WAS	BY	DATE

**ALL ANGLES ARE 90° UNLESS SPECIFIED**



- 1. TIRE SIZE: 12.5 X 3.50
- 2. TREAD PATTERN: SAWTOOTH
- 3. WHEEL MATERIAL: RUBBER
- 4. LOAD CAP./WHEEL: 1535#
- 5. WEIGHT/WHEEL: 8#
- 6. OVERALL HUB WIDTH: 3.25
- 7. OFFSET CENTER OF
- 8. WHEEL TO END OF HUB: 2.16
- 9. HUB MATERIAL: ALUMINUM
- 10. BEARING TYPE: BALL
- 11. BORE OR AXLE SIZE: 1.00
- 12. HUB COLOR: SILVER
- 13. GREASE ZERK: NO
- 14. VENDOR: FASTENAL COMPANY

Item Number	Part Number	Description	Qty.
1	Z30007A9	TIRE-AIR 12	1
2	Z30008A8	TUBE-AIR 12	1
3	Z30002A4	BEARING-FLG 1/RPMT	2
4	Z30054A1/R70054	RIM-FEMALE AIR 12B -- CS use R70054 as RPMTS	1
5	Z30055A0/R70055	RIM-MALE AIR 12B -- CS use R70055 as RPMTS	1
6	Z10139A2	S-HHC 3/8-24X5/8	6
7	Z10214A0	WASHER-3/8 LOCK MD	6

**PROPRIETARY AND CONFIDENTIAL**  
 THE INFORMATION CONTAINED IN THIS DRAWING IS THE SOLE PROPERTY OF VALLEY CRAFT. ANY REPRODUCTION IN PART OR AS A WHOLE WITHOUT THE WRITTEN PERMISSION OF VALLEY CRAFT IS PROHIBITED.

**UNLESS OTHERWISE SPECIFIED:**  
 DECIMALS  
 2 PLACES ±0.01  
 3 PLACES ±0.005  
 ANGLE ±1°  
 GRIND/SAND SHARP EDGES .015 MAX  
 DOES NOT APPLY TO DRILLED HOLE DIA.

**VALLEYCRAFT®**  
 2001 South Hwy. 61, Lake City, MN 55041-9555, U.S.A.

**TITLE:** WHL-12 AIR BRK

A			10/31/2009
CHG.	E.C.O.	DESCRIPTION / WAS	BY DATE

**ALL ANGLES ARE 90° UNLESS SPECIFIED**

	NAME	DATE
DRAWN		
CHECKED		
ENG APPR.		

SIZE	<b>PART NO.</b>
A	F60032A1
	<b>MATL:</b>
SCALE: 1:6	WEIGHT:
	SHEET 3 OF 3