

**CURVED BACK BEVERAGE TRUCK**  
 MATERIAL: ALUMINUM  
 BRAKE: NO  
 CAPACITY: 600 LBS  
 HEIGHT: 51-1/2"  
 WIDTH: 21"  
 DEPTH: 19-3/4"  
 SHOE SIZE: 10" DEEP X 16" WIDE  
 PRODUCT WEIGHT: 33 LBS

**PROPRIETARY AND CONFIDENTIAL**

THE INFORMATION CONTAINED IN THIS DRAWING IS THE SOLE PROPERTY OF VALLEY CRAFT. ANY REPRODUCTION IN PART OR AS A WHOLE WITHOUT THE WRITTEN PERMISSION OF VALLEY CRAFT IS PROHIBITED.

**UNLESS OTHERWISE SPECIFIED:**

DECIMALS  
 2 PLACES ±0.01  
 3 PLACES ±0.005  
 ANGLE ±1°

**GRIND/SAND SHARP EDGES .015 MAX DOES NOT APPLY TO DRILLED HOLE DIA.**



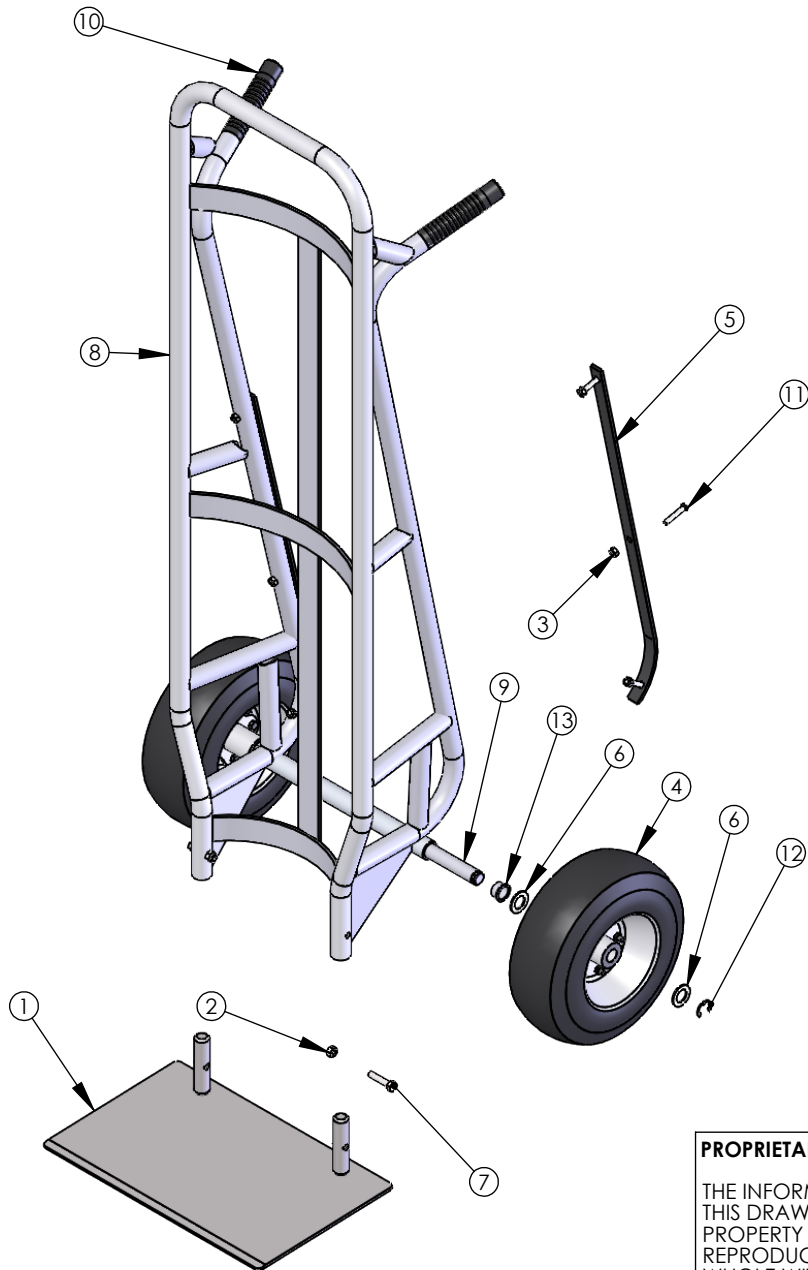
**TITLE:** TRK-BEV/760-1AA-S/10 (KAN BAN)

|      |        |                   |     |            |
|------|--------|-------------------|-----|------------|
| A    | -      | CREATED           | TSH | 04/14/2017 |
| CHG. | E.C.O. | DESCRIPTION / WAS | BY  | DATE       |

**ALL ANGLES ARE 90° UNLESS SPECIFIED**

|           |      |            |
|-----------|------|------------|
|           | NAME | DATE       |
| DRAWN     | TSH  | 04/13/2017 |
| CHECKED   |      |            |
| ENG APPR. |      |            |

|             |                 |                          |  |
|-------------|-----------------|--------------------------|--|
| SIZE        | <b>PART NO.</b> | F83881A5                 |  |
| <b>A</b>    | <b>MATL:</b>    | Material <not specified> |  |
| SCALE: 1:16 | WEIGHT: 46.43   | SHEET 1 OF 3             |  |



| ITEM NO. | PART NUMBER     | DESCRIPTION                                      | QTY. |
|----------|-----------------|--|------|
| 1        | F60980A3/R70980 | SHOE WLDMT-S/10X16 S -- CS, use R70980 for RPMTS | 1    |
| 2        | Z10045A5        | NUT-NYL NE 5/16-18                               | 2    |
| 3        | Z10035A7        | NUT-HEX KEPS 1/4-20                              | 6    |
| 4        | Z30782A8        | WHL-10 AIR 3/4B                                  | 2    |
| 5        | F50076B7        | GUARD-S R/760AA                                  | 2    |
| 6        | Z10009A9        | BUSH-MACH 3/4x14GAx1-1/4 OD                      | 4    |
| 7        | Z10125A8        | S-HHC 5/16-18X1-1/2                              | 2    |
| 8        | F62439A6        | F W/760-1AA BRACE                                | 1    |
| 9        | F30053A8        | AXLE-AIR 10/760AA                                | 1    |
| 10       | Z50014A8        | GRIP-HDL 1" BLK                                  | 2    |
| 11       | Z10101A6        | S-FHM 1/4-20x1-1/2                               | 6    |
| 12       | Z10236A4        | RING-RTNG 3/4 5304                               | 2    |
| 13       | F57261A8        | BRG-STL FLG .760X.825X.5                         | 2    |

**PROPRIETARY AND CONFIDENTIAL**

THE INFORMATION CONTAINED IN THIS DRAWING IS THE SOLE PROPERTY OF VALLEY CRAFT. ANY REPRODUCTION IN PART OR AS A WHOLE WITHOUT THE WRITTEN PERMISSION OF VALLEY CRAFT IS PROHIBITED.

**UNLESS OTHERWISE SPECIFIED:**

DECIMALS  
2 PLACES ±0.01  
3 PLACES ±0.005  
ANGLE ±1°

**GRIND/SAND SHARP EDGES .015 MAX DOES NOT APPLY TO DRILLED HOLE DIA.**



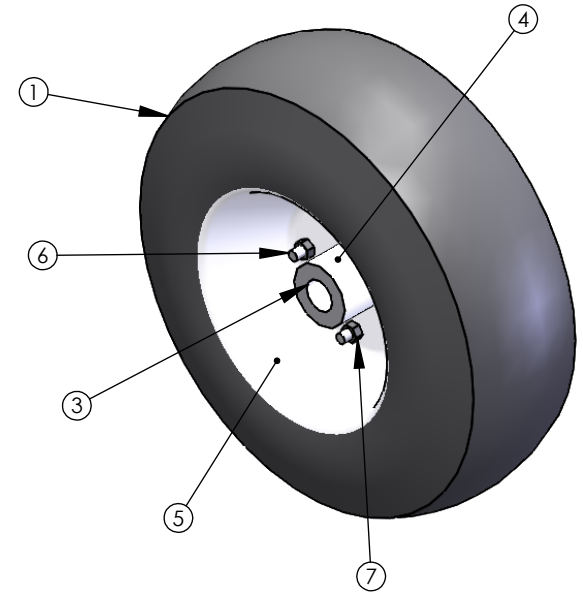
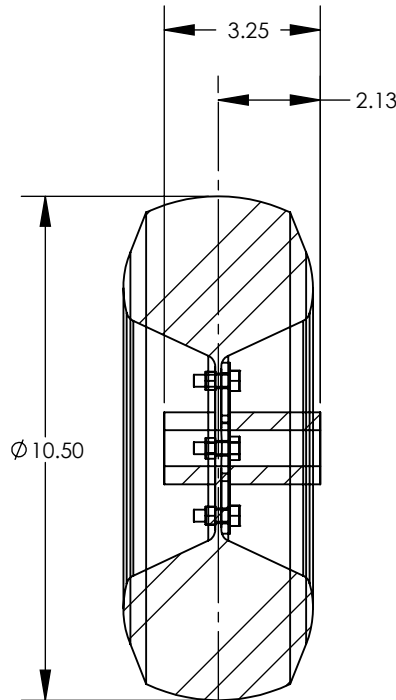
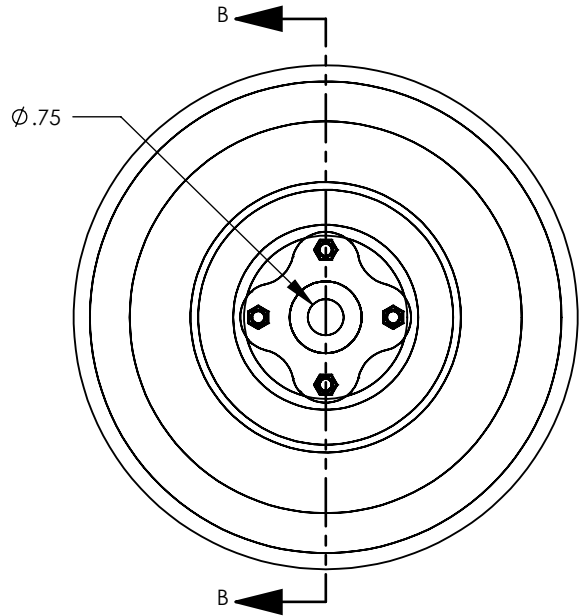
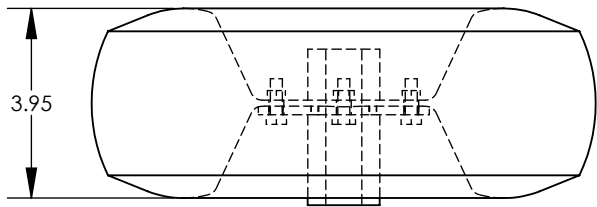
**TITLE:** TRK-BEV/760-1AA-S/10 (KAN BAN)

|           | NAME | DATE       |
|-----------|------|------------|
| DRAWN     | TSH  | 04/13/2017 |
| CHECKED   |      |            |
| ENG APPR. |      |            |

| SIZE        | PART NO.                              |
|-------------|---------------------------------------|
| A           | F83881A5                              |
|             | <b>MATL:</b> Material <not specified> |
| SCALE: 1:16 | WEIGHT: 46.43 SHEET 2 OF 3            |

| CHG. | E.C.O. | DESCRIPTION / WAS | BY  | DATE       |
|------|--------|-------------------|-----|------------|
| A    | -      | CREATED           | TSH | 04/14/2017 |

**ALL ANGLES ARE 90° UNLESS SPECIFIED**



1. TIRE SIZE: 10.5 X 3.95 (4.10/3.5 - 4)
2. TREAD PATTERN: SAWTOOTH
3. WHEEL MATERIAL: RUBBER
4. LOAD CAP./WHEEL: 495#
5. WEIGHT/WHEEL: 5.5#
6. OVERALL HUB WIDTH: 3.25
7. OFFSET CENTER OF WHEEL TO END OF HUB: 2 - 1/8
8. HUB MATERIAL: STEEL
9. BEARING TYPE: BALL
10. BORE OR AXLE SIZE: 3/4
11. HUB COLOR: SILVER
12. GREASE ZERK: NO
13. VENDOR: GARLAND'S #2236-G  
CARLISLE #358641

| Item Number | Part Number | Description          | Qty. |
|-------------|-------------|----------------------|------|
| 1           | Z30025A7    | TIRE-AIR 10          | 1    |
| 2           | Z30024A8    | TUBE-AIR 10          | 1    |
| 3           | Z30023A9    | BEARING-FLG 3/4/RPMT | 2    |
| 4           | Z30022B8    | HUB-AIR 1- MALE      | 1    |
| 5           | Z30021B9    | HUB-AIR 10 FEMALE    | 1    |
| 6           | Z10187A3    | S-SHC 1/4-20X3/4     | 4    |
| 7           | Z10035A7    | NUT-HEX KEPS 1/4-20  | 4    |

**PROPRIETARY AND CONFIDENTIAL**  
 THE INFORMATION CONTAINED IN THIS DRAWING IS THE SOLE PROPERTY OF VALLEY CRAFT. ANY REPRODUCTION IN PART OR AS A WHOLE WITHOUT THE WRITTEN PERMISSION OF VALLEY CRAFT IS PROHIBITED.

**UNLESS OTHERWISE SPECIFIED:**  
 DECIMALS  
 2 PLACES ±0.01  
 3 PLACES ±0.005  
 ANGLE ±1°  
 GRIND/SAND SHARP EDGES .015 MAX  
 DOES NOT APPLY TO DRILLED HOLE DIA.



**TITLE:** WHL-10 AIR 3/4B

| NAME          | DATE |
|---------------|------|
| DRAWN salvopb | 3/08 |
| CHECKED       |      |
| ENG APPR.     |      |

| SIZE         | PART NO.     |
|--------------|--------------|
| A            | Z30782A8     |
| <b>MATL:</b> |              |
| SCALE: 1:4   | WEIGHT: 9.02 |
| SHEET 3 OF 3 |              |

|      |        |                   |     |          |
|------|--------|-------------------|-----|----------|
| A    | -      | DRAWN IN SW       | PBS | 3/8/2015 |
| CHG. | E.C.O. | DESCRIPTION / WAS | BY  | DATE     |

**ALL ANGLES ARE 90° UNLESS SPECIFIED**