

FLAT BACK BEVERAGE TRUCK

MATERIAL: ALUMINUM
 BRAKE: NO
 CAPACITY: 600 LBS
 HEIGHT: 51-1/2"
 WIDTH: 21"
 DEPTH: 19-3/4"
 SHOE SIZE: 10" DEEP X 16" WIDE
 PRODUCT WEIGHT: 34 LBS

PROPRIETARY AND CONFIDENTIAL

THE INFORMATION CONTAINED IN THIS DRAWING IS THE SOLE PROPERTY OF VALLEY CRAFT. ANY REPRODUCTION IN PART OR AS A WHOLE WITHOUT THE WRITTEN PERMISSION OF VALLEY CRAFT IS PROHIBITED.

UNLESS OTHERWISE SPECIFIED:

DECIMALS
 2 PLACES ±0.01
 3 PLACES ±0.005
 ANGLE ±1°

GRIND/SAND SHARP EDGES .015 MAX DOES NOT APPLY TO DRILLED HOLE DIA.



2001 South Hwy. 61, Lake City, MN 55041-9555, U.S.A.

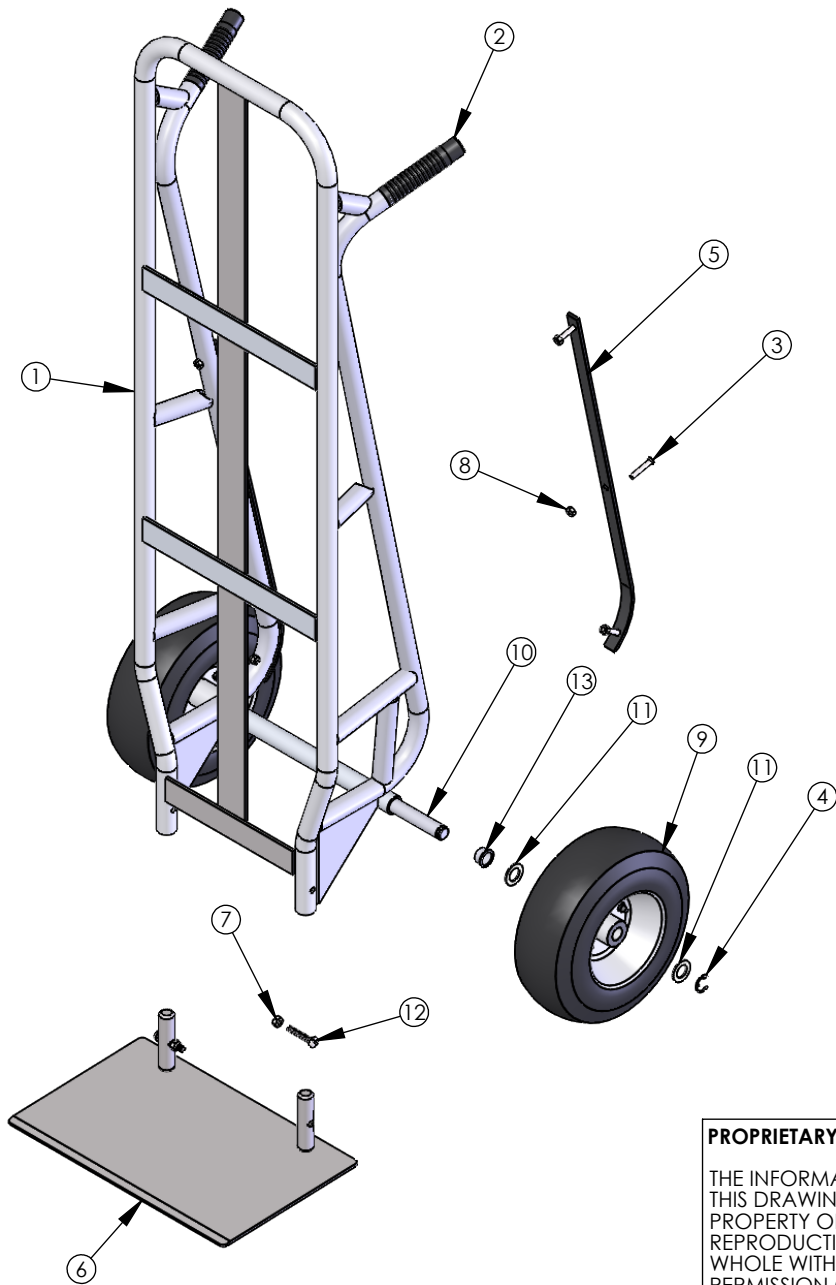
TITLE: TRK-BEV/760-1AA-6

B	-	CREATED	DN	09/29/2022
CHG.	E.C.O.	DESCRIPTION / WAS	BY	DATE

ALL ANGLES ARE 90° UNLESS SPECIFIED

	NAME	DATE
DRAWN	TSH	08/18/2016
CHECKED		
ENG APPR.		

SIZE	PART NO.	F83947A7	
A	MATL:	Material <not specified>	
SCALE: 1:16	WEIGHT: 50.71	SHEET 1 OF 3	



ITEM NO.	PART NUMBER	DESCRIPTION	QTY.
1	F61041A8	F W/760-1AA-6	1
2	Z50014A8	GRIP-HDL 1" BLK	2
3	Z10101A6	S-FHM 1/4-20x1-1/2	6
4	Z10236A4	RING-RTNG 3/4 5304	2
5	F50076B7	GUARD-S R/760AA	2
6	F60980A3/R70980	SHOE WLDMT-S/10X16 S -- CS, use R70980 for RPMTS	1
7	Z10045A5	NUT-NYL NE 5/16-18	2
8	Z10035A7	NUT-HEX KEPS 1/4-20	6
9	Z30782A8	WHL-10 AIR 3/4B	2
10	F30053A8	AXLE-AIR 10/760AA	1
11	Z10009A9	BUSH-MACH 3/4x14GAx1-1/4 OD	4
12	Z10184A6	S-RHM 5/16-18X1-3/4	2
13	F57261A8	BRG-STL FLG .760X.825X.5	2

PROPRIETARY AND CONFIDENTIAL

THE INFORMATION CONTAINED IN THIS DRAWING IS THE SOLE PROPERTY OF VALLEY CRAFT. ANY REPRODUCTION IN PART OR AS A WHOLE WITHOUT THE WRITTEN PERMISSION OF VALLEY CRAFT IS PROHIBITED.

UNLESS OTHERWISE SPECIFIED:

DECIMALS
2 PLACES ±0.01
3 PLACES ±0.005
ANGLE ±1°

GRIND/SAND SHARP EDGES .015 MAX DOES NOT APPLY TO DRILLED HOLE DIA.



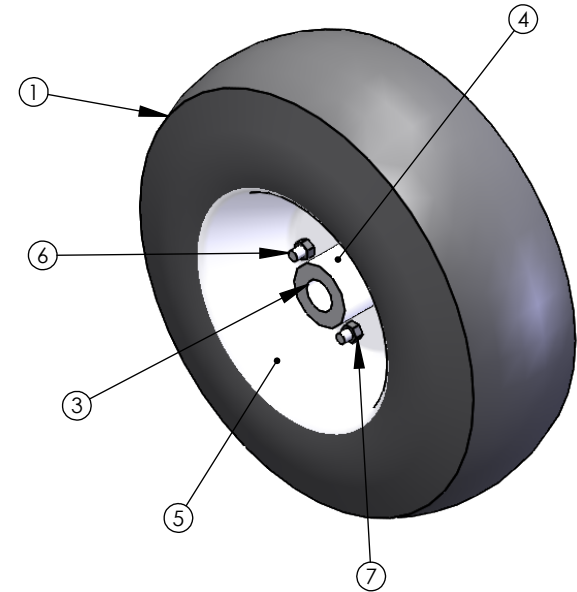
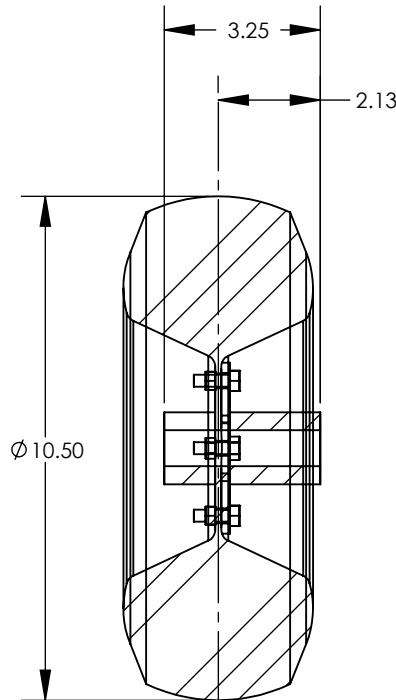
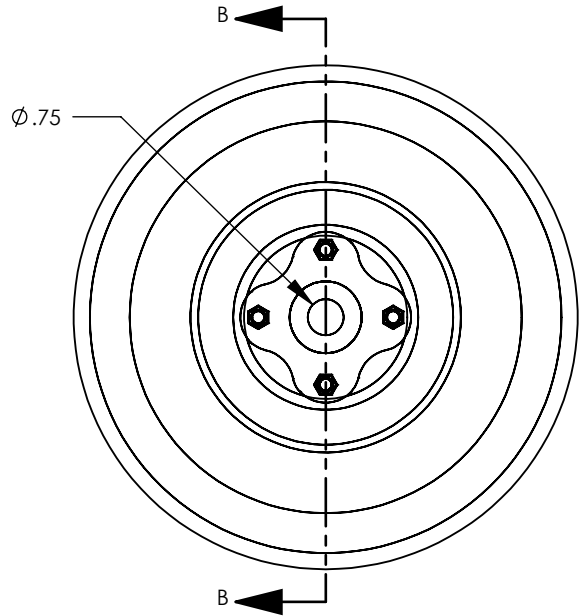
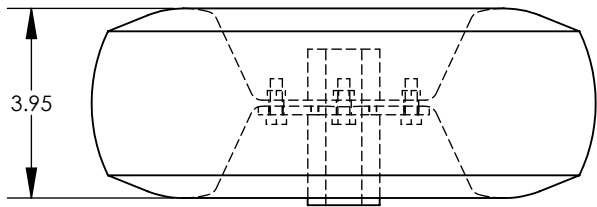
TITLE: TRK-BEV/760-1AA-6

	NAME	DATE
DRAWN	TSH	08/18/2016
CHECKED		
ENG APPR.		

SIZE	PART NO.
A	F83947A7
	MATL: Material <not specified>
SCALE: 1:16	WEIGHT: 50.71 SHEET 2 OF 3

CHG.	E.C.O.	DESCRIPTION / WAS	BY	DATE
B	-	CREATED	DN	09/29/2022

ALL ANGLES ARE 90° UNLESS SPECIFIED



- 1. TIRE SIZE: 10.5 X 3.95 (4.10/3.5 - 4)
- 2. TREAD PATTERN: SAWTOOTH
- 3. WHEEL MATERIAL: RUBBER
- 4. LOAD CAP./WHEEL: 495#
- 5. WEIGHT/WHEEL: 5.5#
- 6. OVERALL HUB WIDTH: 3.25
- 7. OFFSET CENTER OF WHEEL TO END OF HUB: 2 - 1/8
- 8. HUB MATERIAL: STEEL
- 9. BEARING TYPE: BALL
- 10. BORE OR AXLE SIZE: 3/4
- 11. HUB COLOR: SILVER
- 12. GREASE ZERK: NO
- 13. VENDOR: GARLAND'S #2236-G
CARLISLE #358641

Item Number	Part Number	Description	Qty.
1	Z30025A7	TIRE-AIR 10	1
2	Z30024A8	TUBE-AIR 10	1
3	Z30023A9	BEARING-FLG 3/4/RPMT	2
4	Z30022B8	HUB-AIR 1- MALE	1
5	Z30021B9	HUB-AIR 10 FEMALE	1
6	Z10187A3	S-SHC 1/4-20X3/4	4
7	Z10035A7	NUT-HEX KEPS 1/4-20	4

PROPRIETARY AND CONFIDENTIAL
 THE INFORMATION CONTAINED IN THIS DRAWING IS THE SOLE PROPERTY OF VALLEY CRAFT. ANY REPRODUCTION IN PART OR AS A WHOLE WITHOUT THE WRITTEN PERMISSION OF VALLEY CRAFT IS PROHIBITED.

UNLESS OTHERWISE SPECIFIED:
 DECIMALS
 2 PLACES ±0.01
 3 PLACES ±0.005
 ANGLE ±1°
 GRIND/SAND SHARP EDGES .015 MAX
 DOES NOT APPLY TO DRILLED HOLE DIA.



TITLE: WHL-10 AIR 3/4B

NAME	DATE
DRAWN salvopb	3/08
CHECKED	
ENG APPR.	

SIZE	PART NO.
A	Z30782A8
MATL:	
SCALE: 1:4	WEIGHT: 9.02
SHEET 3 OF 3	

A	-	DRAWN IN SW	PBS	3/8/2015
CHG.	E.C.O.	DESCRIPTION / WAS	BY	DATE

ALL ANGLES ARE 90° UNLESS SPECIFIED