

CURVED BACK BEVERAGE TRUCK

MATERIAL: ALUMINUM
 BRAKE: YES
 CAPACITY: 600 LBS
 HEIGHT: 50-1/2"
 WIDTH: 19"
 DEPTH: 20"
 SHOE SIZE: 10" DEEP X 16" WIDE
 PRODUCT WEIGHT: 44 LBS

PROPRIETARY AND CONFIDENTIAL

THE INFORMATION CONTAINED IN THIS DRAWING IS THE SOLE PROPERTY OF VALLEY CRAFT. ANY REPRODUCTION IN PART OR AS A WHOLE WITHOUT THE WRITTEN PERMISSION OF VALLEY CRAFT IS PROHIBITED.

UNLESS OTHERWISE SPECIFIED:

DECIMALS
 2 PLACES ±0.01
 3 PLACES ±0.005
 ANGLE ±1°

GRIND/SAND SHARP EDGES .015 MAX DOES NOT APPLY TO DRILLED HOLE DIA.



TITLE: TRK-BEV/765AA 10

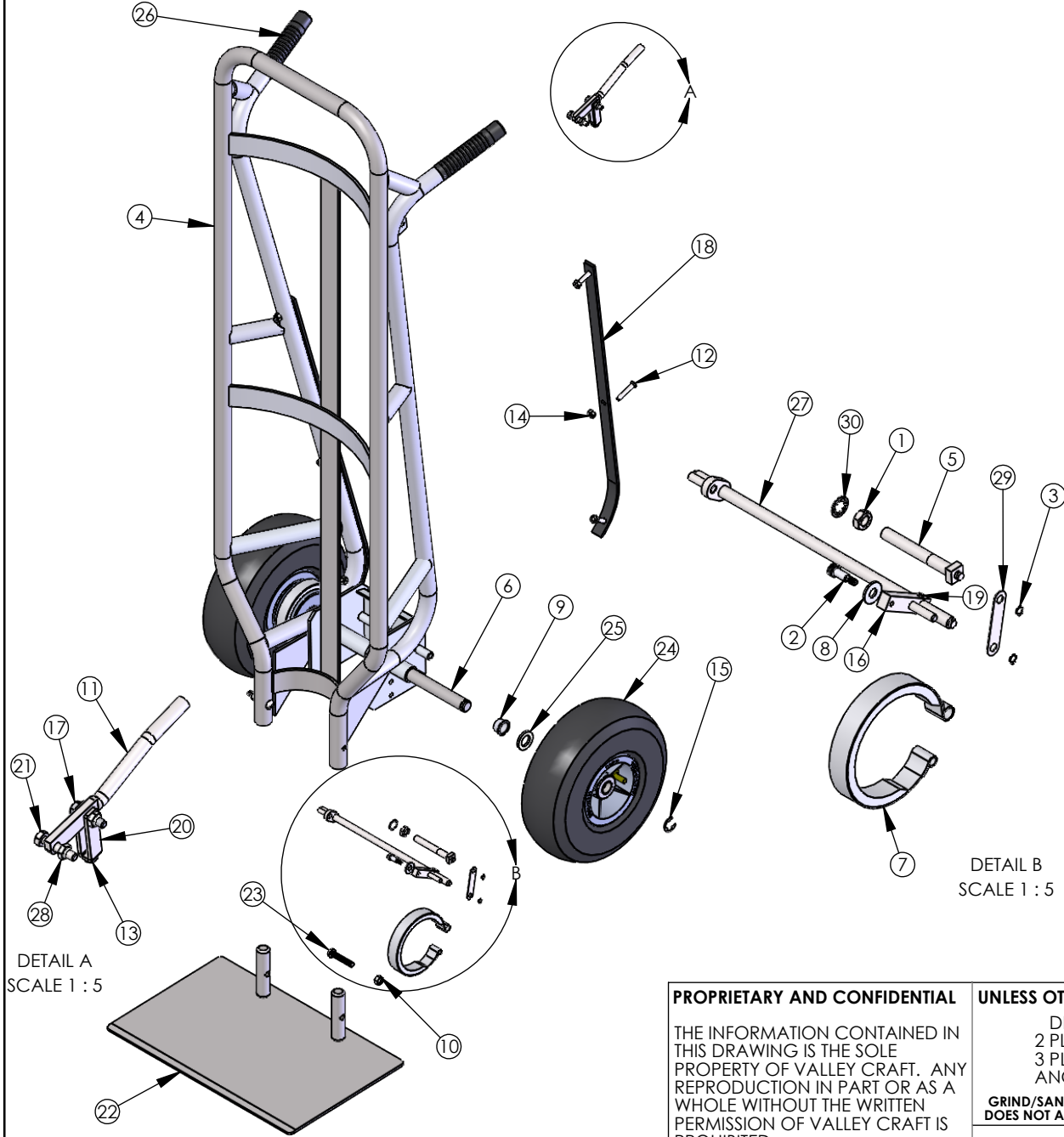
B	-	CREATED	DN	09/29/2022
CHG.	E.C.O.	DESCRIPTION / WAS	BY	DATE

ALL ANGLES ARE 90° UNLESS SPECIFIED

	NAME	DATE
DRAWN	TSH	01/27/2017
CHECKED		
ENG APPR.		

SIZE A	PART NO.	F83971A6
	MATL:	Material <not specified>
SCALE: 1:16	WEIGHT: 46.12	SHEET 1 OF 3

Not Modeled F60191A8: BRAKE CABLE ASSEMBLY Qty. 1



ITEM NO.	PART NUMBER	DESCRIPTION	QTY.
1	Z10030A2	NUT-HEX JAM 3/8-24	2
2	Z10805A2	BOLT-STRIPPER 1/4X1/2	1
3	Z10231A9	RING-RTNG 1/4	4
4	F60543A3	F W/765AA	1
5	Z30012A2	ECC-BRK SHORT	2
6	F30080A5	AXLE/760ASP	1
7	F62177A2	BRK BAND ASSY	2
8	Z10602A2	WASHER-1/4 FLAT SAE	1
9	F57261A8	BRG-STL FLG .760X.825X.5	2
10	Z10045A5	NUT-NYL NE 5/16-18	2
11	F30013A7	HDL-BRK/825	1
12	Z10101A6	S-FHM 1/4-20x1-1/2	6
13	Z10041A9	NUT-HEX MACH #10-32	1
14	Z10035A7	NUT-HEX KEPS 1/4-20	6
15	Z10236A4	RING-RTNG 3/4 5304	2
16	F68656A4	BRK ROD PIN WLDMT	1
17	Z10112A3	S-HHC 1/4-20X1	1
18	F50076B7	GUARD-S R/760AA	2
19	Z10069A6	PIN-SPG 3/16X5/8	1
20	F30014A6	CLEVIS-BRK CABLE	1
21	Z10113A2	S-HHC 1/4-20X1-1/4	1
22	F60971A4	SHOE WLDMT-S/10X16 S	1
23	Z10184A6	S-RHM 5/16-18X1-3/4	2
24	F60100A8	WHL-10 AIR BRK	2
25	Z10010A6	BUSH-MACH 3/4x10Gax1-1/4 OD	2
26	Z50014A8	GRIP-HDL 1" BLK	2
27	F68893A7	BRK ROD WLDMT-11.25	1
28	Z10043A7	NUT-NYL NE 1/4-20	2
29	F30012A8	LINK-CONN/825	2
30	Z10209A7	WASHER-3/8 LOCK INT TOOTH	2

DETAIL B
SCALE 1 : 5

DETAIL A
SCALE 1 : 5

PROPRIETARY AND CONFIDENTIAL
THE INFORMATION CONTAINED IN THIS DRAWING IS THE SOLE PROPERTY OF VALLEY CRAFT. ANY REPRODUCTION IN PART OR AS A WHOLE WITHOUT THE WRITTEN PERMISSION OF VALLEY CRAFT IS PROHIBITED.

UNLESS OTHERWISE SPECIFIED:
DECIMALS
2 PLACES ±0.01
3 PLACES ±0.005
ANGLE ±1°
GRIND/SAND SHARP EDGES .015 MAX DOES NOT APPLY TO DRILLED HOLE DIA.



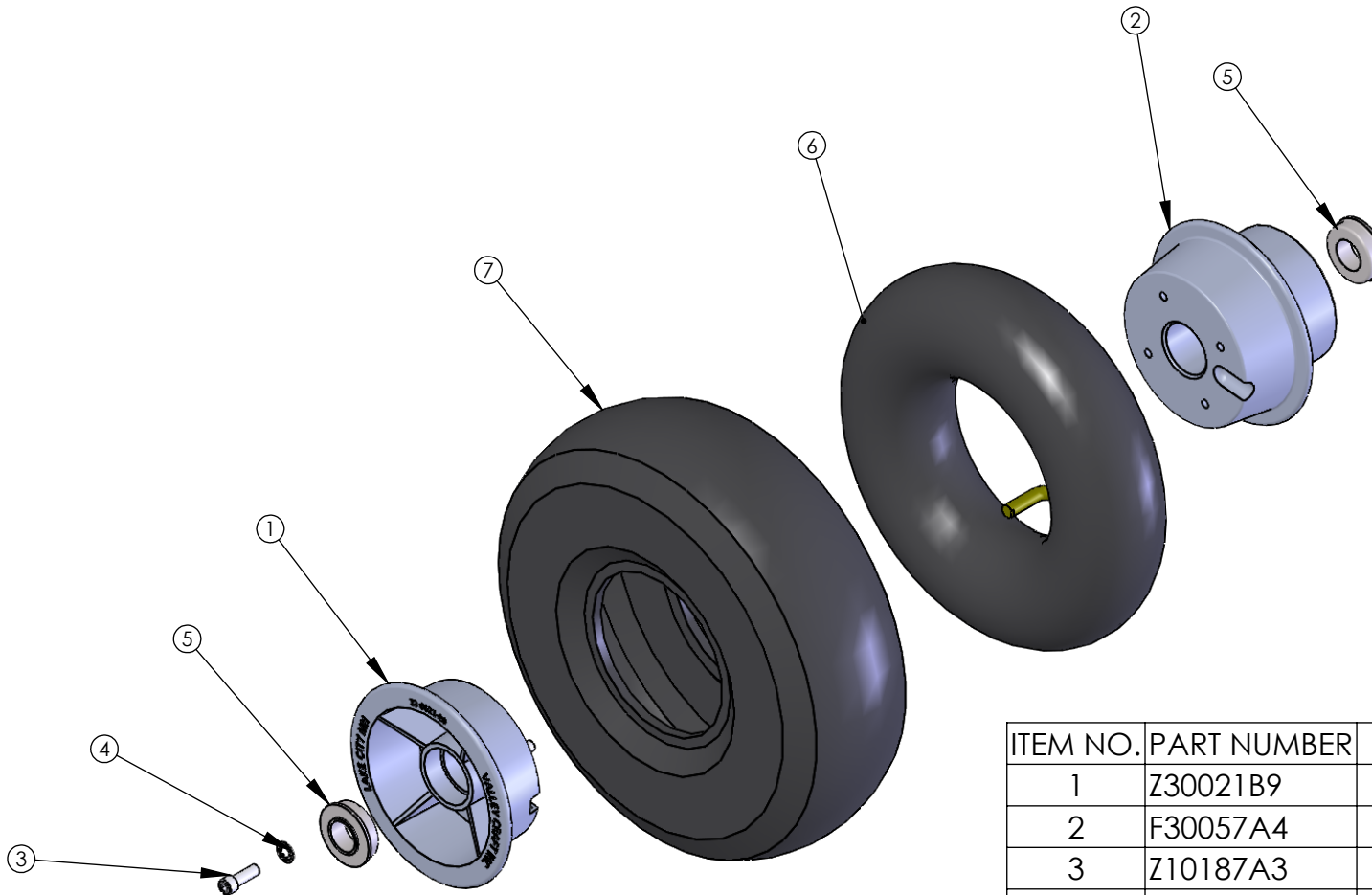
TITLE: TRK-BEV/765AA 10

B	-	CREATED	DN	09/29/2022
CHG.	E.C.O.	DESCRIPTION / WAS	BY	DATE

ALL ANGLES ARE 90° UNLESS SPECIFIED

	NAME	DATE
DRAWN	TSH	01/27/2017
CHECKED		
ENG APPR.		

SIZE A	PART NO. F83971A6
	MATL: Material <not specified>
SCALE: 1:16	WEIGHT: 46.12 SHEET 2 OF 3



ITEM NO.	PART NUMBER	DESCRIPTION	QTY.
1	Z30021B9	HUB-AIR 10 FEMALE	1
2	F30057A4	HUB-AIR 10 MALE/BRK	1
3	Z10187A3	S-SHC 1/4-20X3/4	4
4	Z10207A9	WASHER-1/4 LOCK INT TOOTH	4
5	Z30023A9	BRG-FLG 3/4/RPMT	2
6	Z30024A8	TUBE-AIR 10	1
7	Z30025A7	TIRE-AIR 10	1

PROPRIETARY AND CONFIDENTIAL

THE INFORMATION CONTAINED IN THIS DRAWING IS THE SOLE PROPERTY OF VALLEY CRAFT. ANY REPRODUCTION IN PART OR AS A WHOLE WITHOUT THE WRITTEN PERMISSION OF VALLEY CRAFT IS PROHIBITED.

UNLESS OTHERWISE SPECIFIED:

DECIMALS
2 PLACES ± 0.01
3 PLACES ± 0.005
ANGLE $\pm 1^\circ$

GRIND/SAND SHARP EDGES .015 MAX DOES NOT APPLY TO DRILLED HOLE DIA.



TITLE: WHL-10 AIR BRK

A	-		DN	10/03/2022
CHG.	E.C.O.	DESCRIPTION / WAS	BY	DATE

ALL ANGLES ARE 90° UNLESS SPECIFIED

	NAME	DATE
DRAWN	DN	10/03/2022
CHECKED		
ENG APPR.		

SIZE	PART NO.
A	F60100A8
	MATL:
SCALE: 1:2	WEIGHT: 5.94 SHEET 3 OF 3