

FLAT BACK BEVERAGE TRUCK
 WITH FENDERS
 MATERIAL: ALUMINUM
 BRAKE: YES
 CAPACITY: 600 LBS
 HEIGHT: 50-1/2"
 WIDTH: 20"
 DEPTH: 19-1/2"
 SHOE SIZE: 10" DEEP X 16" WIDE
 PRODUCT WEIGHT: 45 LBS

PROPRIETARY AND CONFIDENTIAL

THE INFORMATION CONTAINED IN THIS DRAWING IS THE SOLE PROPERTY OF VALLEY CRAFT. ANY REPRODUCTION IN PART OR AS A WHOLE WITHOUT THE WRITTEN PERMISSION OF VALLEY CRAFT IS PROHIBITED.

UNLESS OTHERWISE SPECIFIED:

DECIMALS
 2 PLACES ±0.01
 3 PLACES ±0.005
 ANGLE ±1°

GRIND/SAND SHARP EDGES .015 MAX DOES NOT APPLY TO DRILLED HOLE DIA.



2001 South Hwy. 61, Lake City, MN 55041-9555, U.S.A.

TITLE: TRK-DEL/765AA-6 FNDR

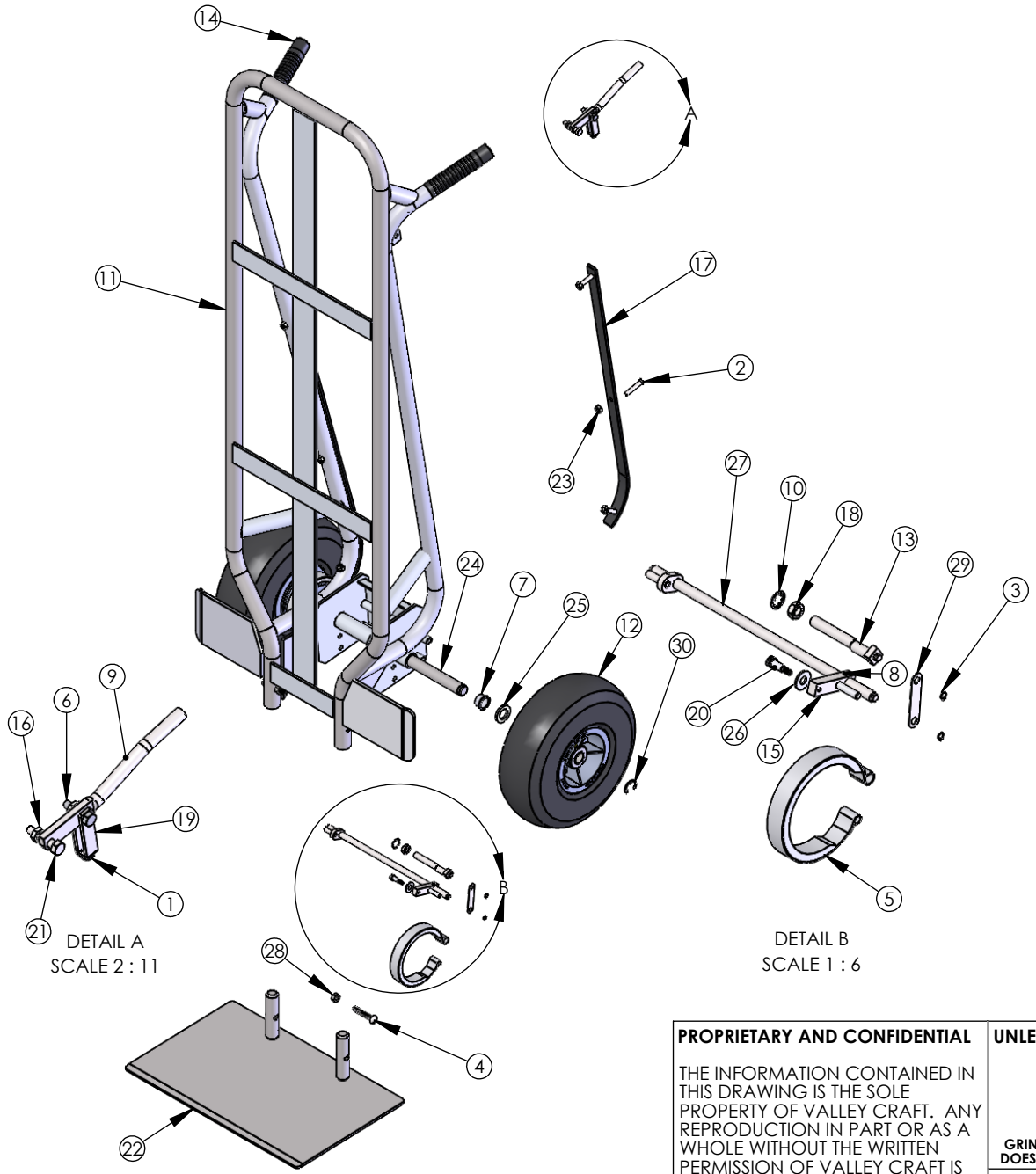
B	-	CREATED	DN	09/29/2022
CHG.	E.C.O.	DESCRIPTION / WAS	BY	DATE

ALL ANGLES ARE 90° UNLESS SPECIFIED

	NAME	DATE
DRAWN	TSH	11/11/2016
CHECKED		
ENG APPR.		

SIZE	PART NO.
A	F84008A1
	MATL: Material <not specified>
SCALE: 1:16	WEIGHT: 44.80 SHEET 1 OF 3

Not Modeled F60191A8: BRAKE CABLE ASSEMBLY Qty. 1



ITEM NO.	PART NUMBER	DESCRIPTION	QTY.
1	Z10041A9	NUT-HEX MACH #10-32	1
2	Z10101A6	S-FHM 1/4-20x1-1/2	6
3	Z10231A9	RING-RTNG 1/4	4
4	Z10184A6	S-RHM 5/16-18X1-3/4	2
5	F62177A2	BRK BAND ASSY	2
6	Z10112A3	S-HHC 1/4-20X1	1
7	F57261A8	BRG-STL FLG .760X.825X.5	2
8	Z10069A6	PIN-SPG 3/16X5/8	1
9	F30013A7	HDL-BRK/825	1
10	Z10209A7	WASHER-3/8 LOCK INT TOOTH	2
11	F63022A7	F W/765AA-6 FNDR	1
12	F60100A8	WHL-10 AIR BRK	2
13	Z30012A2	ECC-BRK SHORT	2
14	Z50014A8	GRIP-HDL 1" BLK	2
15	F68656A4	BRK ROD PIN WLDMT	1
16	Z10043A7	NUT-NYL NE 1/4-20	2
17	F50076B7	GUARD-S R/760AA	2
18	Z10030A2	NUT-HEX JAM 3/8-24	2
19	F30014A6	CLEVIS-BRK CABLE	1
20	Z10805A2	BOLT-STRIPPER 1/4X1/2	1
21	Z10113A2	S-HHC 1/4-20X1-1/4	1
22	F60971A4	SHOE WLDMT-S/10X16 S	1
23	Z10035A7	NUT-HEX KEPS 1/4-20	6
24	F30080A5	AXLE/760ASP	1
25	Z10010A6	BUSH-MACH 3/4x10Gax1-1/4 OD	2
26	Z10602A2	WASHER-1/4 FLAT SAE	1
27	F68893A7	BRK ROD WLDMT-11.25	1
28	Z10045A5	NUT-NYL NE 5/16-18	2
29	F30012A8	LINK-CONN/825	2
30	Z10236A4	RING-RTNG 3/4 5304	2

PROPRIETARY AND CONFIDENTIAL
 THE INFORMATION CONTAINED IN THIS DRAWING IS THE SOLE PROPERTY OF VALLEY CRAFT. ANY REPRODUCTION IN PART OR AS A WHOLE WITHOUT THE WRITTEN PERMISSION OF VALLEY CRAFT IS PROHIBITED.

UNLESS OTHERWISE SPECIFIED:
 DECIMALS
 2 PLACES ±0.01
 3 PLACES ±0.005
 ANGLE ±1°
 GRIND/SAND SHARP EDGES .015 MAX
 DOES NOT APPLY TO DRILLED HOLE DIA.

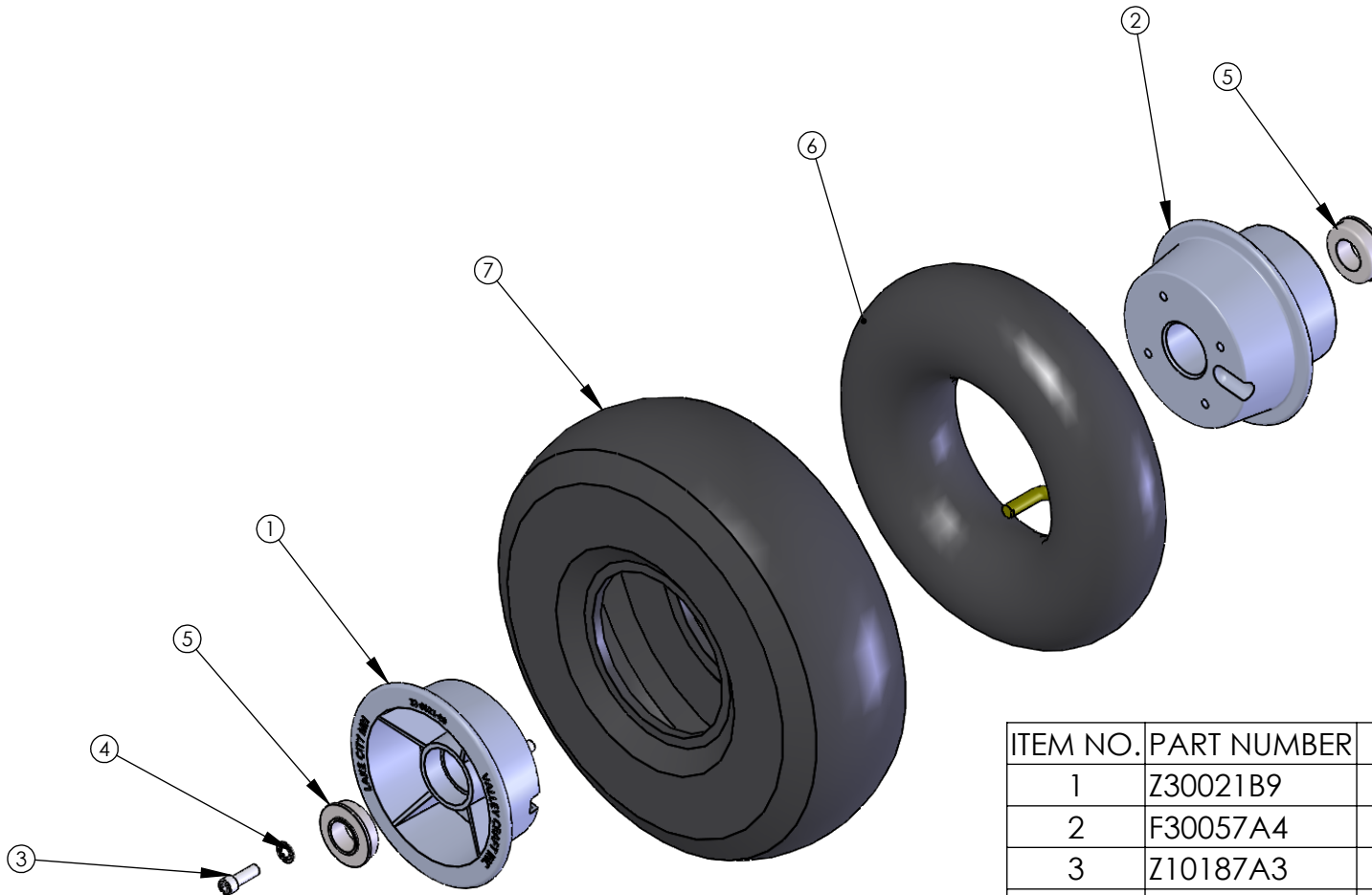


TITLE: TRK-DEL/765AA-6 FNDR

B	-	CREATED	DN	09/29/2022
CHG.	E.C.O.	DESCRIPTION / WAS	BY	DATE

ALL ANGLES ARE 90° UNLESS SPECIFIED

DRAWN	TSH	11/11/2016	SIZE A	PART NO. F84008A1	
CHECKED					MATERIAL: Material <not specified>
ENG APPR.			SCALE: 1:16	WEIGHT: 44.80	



ITEM NO.	PART NUMBER	DESCRIPTION	QTY.
1	Z30021B9	HUB-AIR 10 FEMALE	1
2	F30057A4	HUB-AIR 10 MALE/BRK	1
3	Z10187A3	S-SHC 1/4-20X3/4	4
4	Z10207A9	WASHER-1/4 LOCK INT TOOTH	4
5	Z30023A9	BRG-FLG 3/4/RPMT	2
6	Z30024A8	TUBE-AIR 10	1
7	Z30025A7	TIRE-AIR 10	1

PROPRIETARY AND CONFIDENTIAL

THE INFORMATION CONTAINED IN THIS DRAWING IS THE SOLE PROPERTY OF VALLEY CRAFT. ANY REPRODUCTION IN PART OR AS A WHOLE WITHOUT THE WRITTEN PERMISSION OF VALLEY CRAFT IS PROHIBITED.

UNLESS OTHERWISE SPECIFIED:

DECIMALS
2 PLACES ± 0.01
3 PLACES ± 0.005
ANGLE $\pm 1^\circ$

GRIND/SAND SHARP EDGES .015 MAX DOES NOT APPLY TO DRILLED HOLE DIA.



TITLE: WHL-10 AIR BRK

A	-		DN	10/03/2022
CHG.	E.C.O.	DESCRIPTION / WAS	BY	DATE

ALL ANGLES ARE 90° UNLESS SPECIFIED

	NAME	DATE
DRAWN	DN	10/03/2022
CHECKED		
ENG APPR.		

SIZE	PART NO.
A	F60100A8
	MATL:
SCALE: 1:2	WEIGHT: 5.94
SHEET 3 OF 3	