

**FLAT BACK BEVERAGE TRUCK**  
 MATERIAL: ALUMINUM  
 BRAKE: YES  
 CAPACITY: 600 LBS  
 HEIGHT: 51"  
 WIDTH: 19"  
 DEPTH: 19-1/2"  
 SHOE SIZE: 10" DEEP X 16" WIDE  
 PRODUCT WEIGHT: 41 LBS

**PROPRIETARY AND CONFIDENTIAL**

THE INFORMATION CONTAINED IN THIS DRAWING IS THE SOLE PROPERTY OF VALLEY CRAFT. ANY REPRODUCTION IN PART OR AS A WHOLE WITHOUT THE WRITTEN PERMISSION OF VALLEY CRAFT IS PROHIBITED.

**UNLESS OTHERWISE SPECIFIED:**

DECIMALS  
 2 PLACES ±0.01  
 3 PLACES ±0.005  
 ANGLE ±1°

**GRIND/SAND SHARP EDGES .015 MAX DOES NOT APPLY TO DRILLED HOLE DIA.**



2001 South Hwy. 61, Lake City, MN 55041-9555, U.S.A.

**TITLE:** TRK-DEL/765AA-6

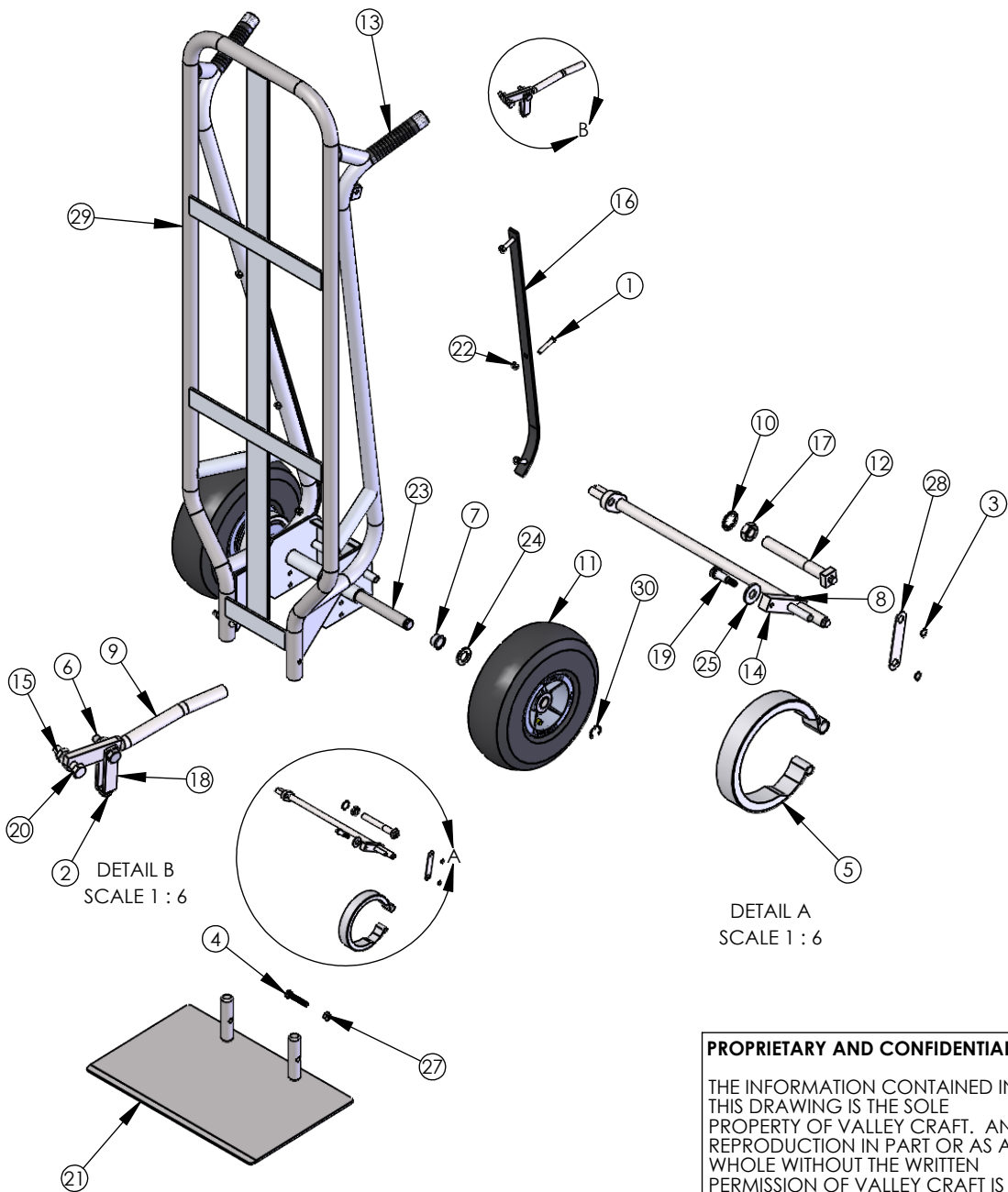
B	-	CONVERTED TO SW	DN	09/29/2022
CHG.	E.C.O.	DESCRIPTION / WAS	BY	DATE

**ALL ANGLES ARE 90° UNLESS SPECIFIED**

	NAME	DATE
DRAWN	TSH	08/10/2016
CHECKED		
ENG APPR.		

SIZE	<b>PART NO.</b>
<b>A</b>	F84009A0
	<b>MATL:</b> Material <not specified>
SCALE: 1:16	WEIGHT: 44.00 SHEET 1 OF 3

Not Modeled F60191A8: BRAKE CABLE ASSEMBLY Qty. 1



ITEM NO.	PART NUMBER	DESCRIPTION	QTY.
1	Z10101A6	S-FHM 1/4-20x1-1/2	6
2	Z10041A9	NUT-HEX MACH #10-32	1
3	Z10231A9	RING-RTNG 1/4	4
4	Z10184A6	S-RHM 5/16-18X1-3/4	2
5	F62177A2	BRK BAND ASSY	2
6	Z10112A3	S-HHC 1/4-20X1	1
7	F57261A8	BRG-STL FLG .760X.825X.5	2
8	Z10069A6	PIN-SPG 3/16X5/8	1
9	F30013A7	HDL-BRK/825	1
10	Z10209A7	WASHER-3/8 LOCK INT TOOTH	2
11	F60100A8	WHL-10 AIR BRK	2
12	Z30012A2	ECC-BRK SHORT	2
13	Z50014A8	GRIP-HDL 1" BLK	2
14	F68656A4	BRK ROD PIN WLDMT	1
15	Z10043A7	NUT-NYL NE 1/4-20	2
16	F50076B7	GUARD-S R/760AA	2
17	Z10030A2	NUT-HEX JAM 3/8-24	2
18	F30014A6	CLEVIS-BRK CABLE	1
19	Z10805A2	BOLT-STRIPPER 1/4X1/2	1
20	Z10113A2	S-HHC 1/4-20X1-1/4	1
21	F60971A4	SHOE WLDMT-S/10X16 S	1
22	Z10035A7	NUT-HEX KEPS 1/4-20	6
23	F30080A5	AXLE/760ASP	1
24	Z10010A6	BUSH-MACH 3/4x10Gax1-1/4 OD	2
25	Z10602A2	WASHER-1/4 FLAT SAE	1
26	F68893A7	BRK ROD WLDMT-11.25	1
27	Z10045A5	NUT-NYL NE 5/16-18	2
28	F30012A8	LINK-CONN/825 (STK)	2
29	F61152A3	F W/765AA-6	1
30	Z10236A4	RING-RTNG 3/4 5304	2

**PROPRIETARY AND CONFIDENTIAL**  
 THE INFORMATION CONTAINED IN THIS DRAWING IS THE SOLE PROPERTY OF VALLEY CRAFT. ANY REPRODUCTION IN PART OR AS A WHOLE WITHOUT THE WRITTEN PERMISSION OF VALLEY CRAFT IS PROHIBITED.

**UNLESS OTHERWISE SPECIFIED:**  
 DECIMALS  
 2 PLACES ±0.01  
 3 PLACES ±0.005  
 ANGLE ±1°  
 GRIND/SAND SHARP EDGES .015 MAX DOES NOT APPLY TO DRILLED HOLE DIA.



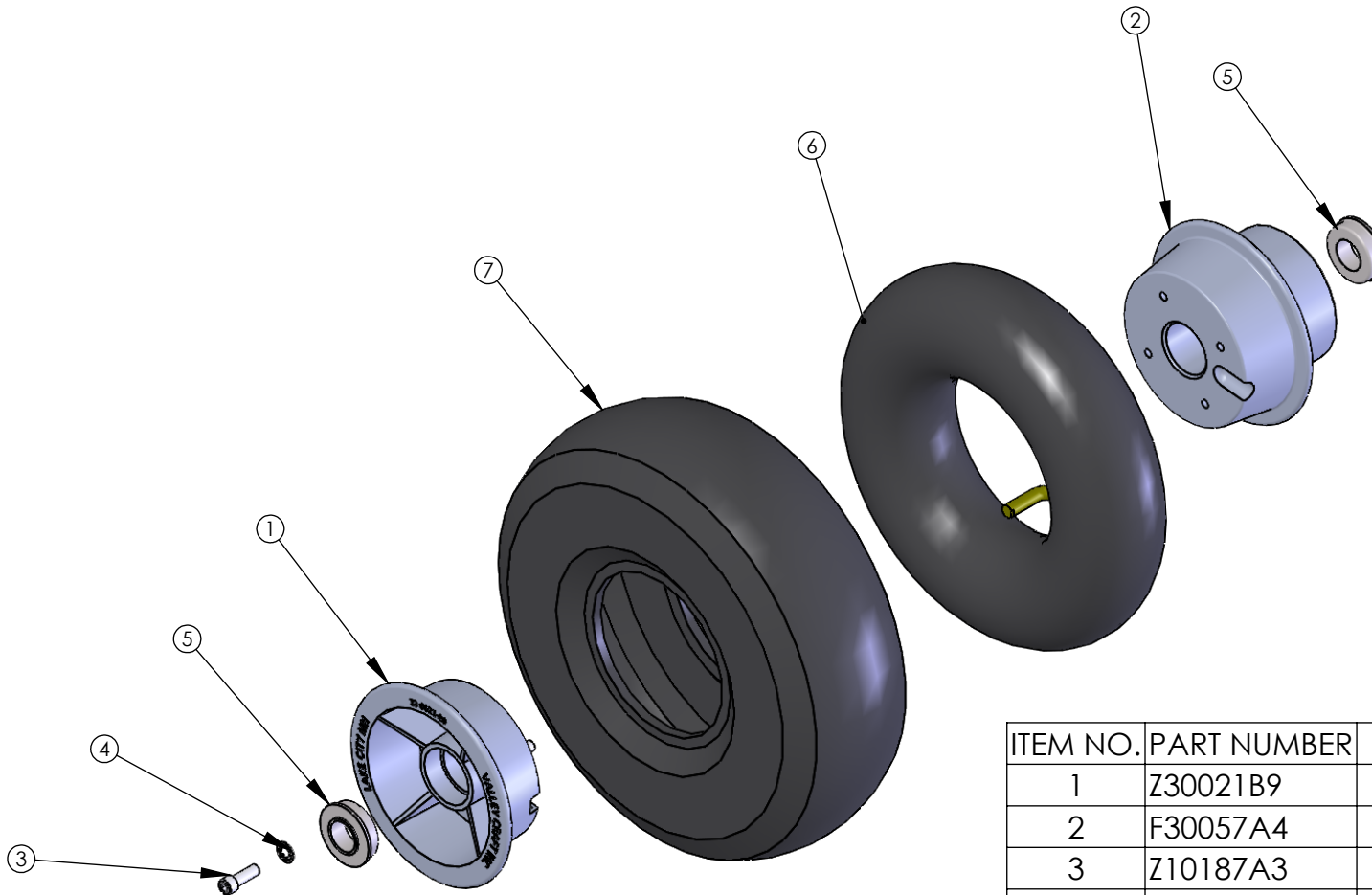
**TITLE:** TRK-DEL/765AA-6

	NAME	DATE
DRAWN	TSH	08/10/2016
CHECKED		
ENG APPR.		

SIZE	PART NO.
A	F84009A0
<b>MATL:</b> Material <not specified>	
SCALE: 1:16	WEIGHT: 44.00 SHEET 2 OF 3

B	-	CONVERTED TO SW	DN	09/29/2022
CHG.	E.C.O.	DESCRIPTION / WAS	BY	DATE

**ALL ANGLES ARE 90° UNLESS SPECIFIED**



ITEM NO.	PART NUMBER	DESCRIPTION	QTY.
1	Z30021B9	HUB-AIR 10 FEMALE	1
2	F30057A4	HUB-AIR 10 MALE/BRK	1
3	Z10187A3	S-SHC 1/4-20X3/4	4
4	Z10207A9	WASHER-1/4 LOCK INT TOOTH	4
5	Z30023A9	BRG-FLG 3/4/RPMT	2
6	Z30024A8	TUBE-AIR 10	1
7	Z30025A7	TIRE-AIR 10	1

**PROPRIETARY AND CONFIDENTIAL**

THE INFORMATION CONTAINED IN THIS DRAWING IS THE SOLE PROPERTY OF VALLEY CRAFT. ANY REPRODUCTION IN PART OR AS A WHOLE WITHOUT THE WRITTEN PERMISSION OF VALLEY CRAFT IS PROHIBITED.

**UNLESS OTHERWISE SPECIFIED:**

DECIMALS  
2 PLACES ±0.01  
3 PLACES ±0.005  
ANGLE ±1°

**GRIND/SAND SHARP EDGES .015 MAX DOES NOT APPLY TO DRILLED HOLE DIA.**



**TITLE:** WHL-10 AIR BRK

	NAME	DATE
DRAWN	DN	10/03/2022
CHECKED		
ENG APPR.		

SIZE	PART NO.
A	F60100A8
<b>MATL:</b>	
SCALE: 1:2	WEIGHT: 5.94
SHEET 3 OF 3	

CHG.	E.C.O.	DESCRIPTION / WAS	BY	DATE
A	-		DN	10/03/2022

**ALL ANGLES ARE 90° UNLESS SPECIFIED**