

STANDARD 2-WHEEL PALLET TRUCKS  
 MATERIAL: ALUMINUM W/ STEEL FORKS  
 BRAKES: NO  
 WHEEL: PNEUMATIC  
 CAPACITY: 1,000 LBS  
 HEIGHT: 54"  
 WIDTH: 26"  
 DEPTH: 27-1/4"  
 SHOE LENGTH: 13-3/4"  
 PRODUCT WEIGHT: 60 LBS

**PROPRIETARY AND CONFIDENTIAL**

THE INFORMATION CONTAINED IN THIS DRAWING IS THE SOLE PROPERTY OF VALLEY CRAFT. ANY REPRODUCTION IN PART OR AS A WHOLE WITHOUT THE WRITTEN PERMISSION OF VALLEY CRAFT IS PROHIBITED.

**UNLESS OTHERWISE SPECIFIED:**

DECIMALS  
 2 PLACES ±0.01  
 3 PLACES ±0.005  
 ANGLE ±1°

**GRIND/SAND SHARP EDGES .015 MAX DOES NOT APPLY TO DRILLED HOLE DIA.**



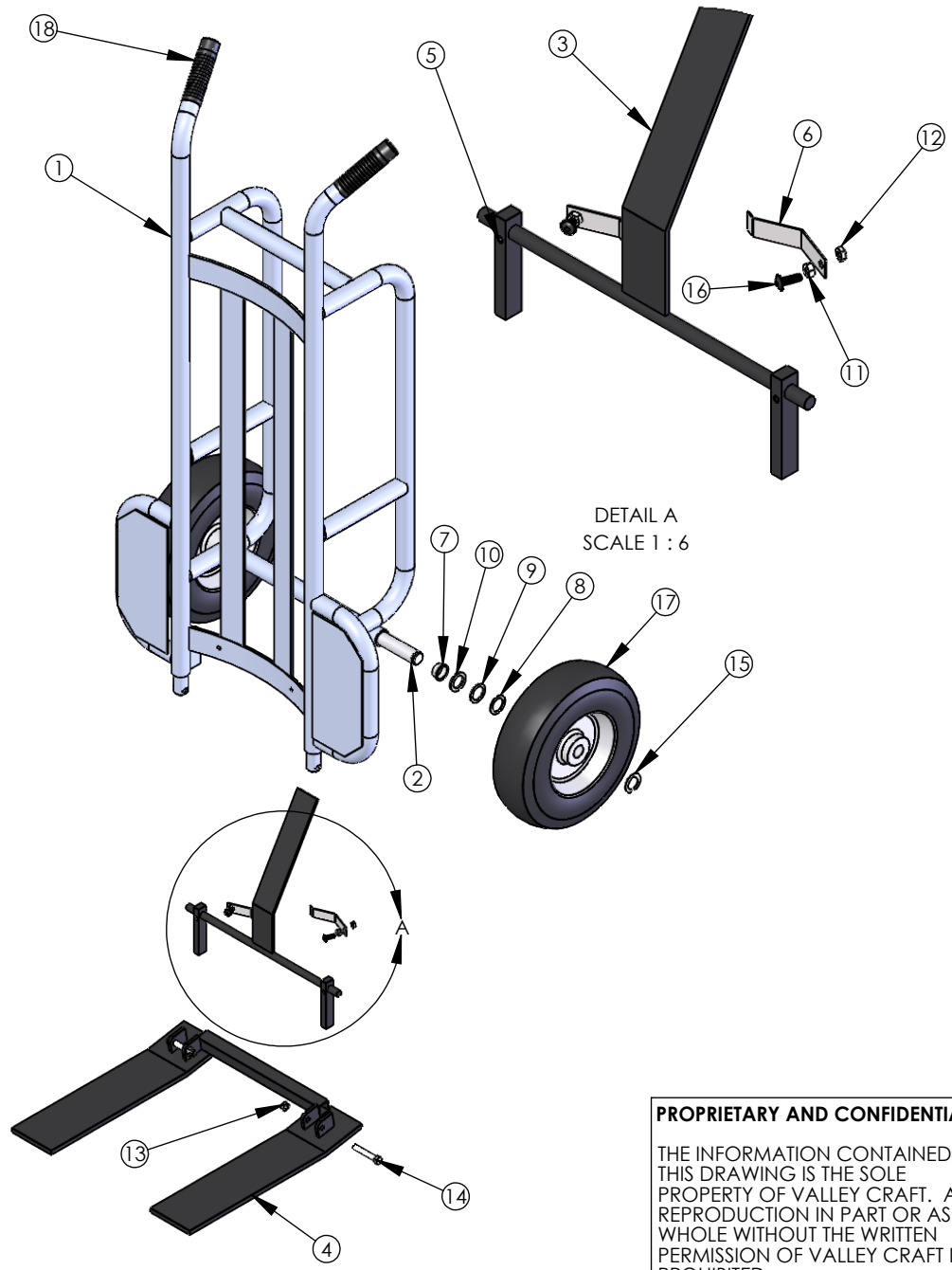
**TITLE:** TRK-PAL/800AA-15

	NAME	DATE
DRAWN	DN	12/19/2019
CHECKED		
ENG APPR.		

SIZE	PART NO.
A	F84727A1
	<b>MATL:</b> Material <not specified>
SCALE: 1:24	WEIGHT: 68.88 SHEET 1 OF 3

CHG.	E.C.O.	DESCRIPTION / WAS	BY	DATE
B	E21-092	REMOVED Z50594C2	DN	09/30/2021

**ALL ANGLES ARE 90° UNLESS SPECIFIED**



ITEM NO.	PART NUMBER	DESCRIPTION	QTY.
1	F60146A4	F W/800AA	1
2	F30001A1	AXLE-800SS	1
3	F60008A1/R70006	TRIP PDL WLDMT -- CS, use R70006 for RPMTS	1
4	F60415A8/R70415	SHOE WLDMT-14.5/S -- CS, use R70415 for RPMTS	1
5	Z10007A9	PIN-SPG 1/4X3/4	1
6	F30212A6/R70212	SPG-TRIP PDL -- CS, use R70212 for RPMTS	2
7	F57260A9	BRG-STL FLG 1.01X1.05X.5	2
8	Z10011A5	BUSH-MACH 1x18GAx1-1/2 OD	2
9	Z10012A4	BUSH-MACH 1x14GAx1-1/2 OD	2
10	Z10013A3	BUSH-MACH 1x10GAx1-1/2 OD	2
11	Z10035A7	NUT-HEX KEPS 1/4-20	2
12	Z10043A7	NUT-NYL NE 1/4-20	2
13	Z10047A3	NUT-NYL NE 3/8-16	2
14	Z10136A5	S-HHC 3/8-16X2-1/4	2
15	Z10223A9	RING-RTNG 1	2
16	Z10438A0	S-BHCS 1/4-20X3/4 BLK	2
17	Z30681A7	WHL-12 AIR	2
18	Z50085A2	GRIP-HDL 1-1/4" R/LK	2

**PROPRIETARY AND CONFIDENTIAL**  
 THE INFORMATION CONTAINED IN THIS DRAWING IS THE SOLE PROPERTY OF VALLEY CRAFT. ANY REPRODUCTION IN PART OR AS A WHOLE WITHOUT THE WRITTEN PERMISSION OF VALLEY CRAFT IS PROHIBITED.

**UNLESS OTHERWISE SPECIFIED:**  
 DECIMALS  
 2 PLACES ±0.01  
 3 PLACES ±0.005  
 ANGLE ±1°  
 GRIND/SAND SHARP EDGES .015 MAX  
 DOES NOT APPLY TO DRILLED HOLE DIA.



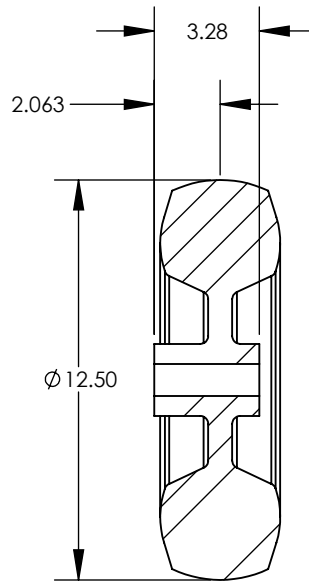
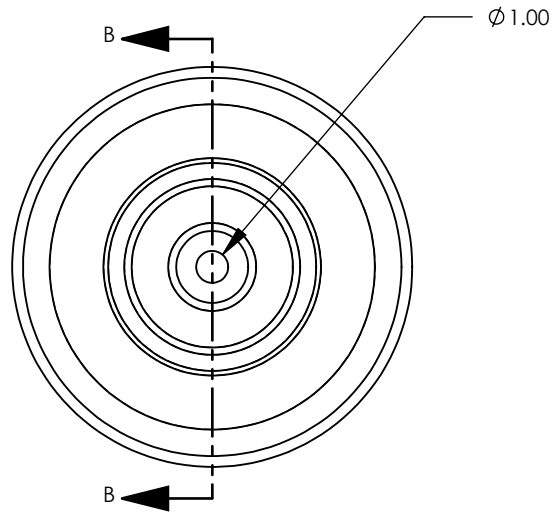
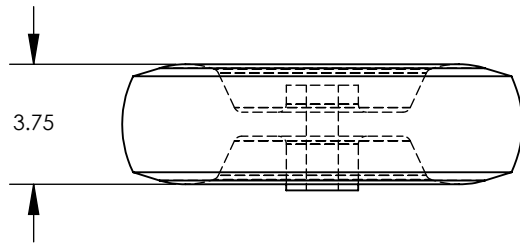
**TITLE:** TRK-PAL/800AA-15

	NAME	DATE
DRAWN	DN	12/19/2019
CHECKED		
ENG APPR.		

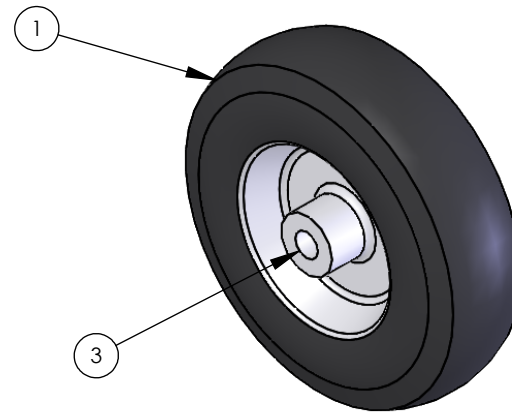
SIZE	PART NO.
A	F84727A1
	<b>MATL:</b> Material <not specified>
SCALE: 1:24	WEIGHT: 68.88 SHEET 2 OF 3

B	E21-092	REMOVED Z50594C2	DN	09/30/2021
CHG.	E.C.O.	DESCRIPTION / WAS	BY	DATE

**ALL ANGLES ARE 90° UNLESS SPECIFIED**



SECTION B-B



- 1. TIRE SIZE: 12 - 1/2 X 3 - 3/4 (4.1/3.5 - 6)
- 2. TREAD PATTERN: SAWTOOTH
- 3. WHEEL MATERIAL: RUBBER
- 4. LOAD CAP./WHEEL: LOAD RANGE "B"
- 5. WEIGHT/WHEEL: 7#
- 6. OVERALL HUB WIDTH: 3.28
- 7. OFFSET CENTER OF WHEEL TO END OF HUB: 2 - 1/16
- 8. HUB MATERIAL: STEEL
- 9. BEARING TYPE: BALL
- 10. BORE OR AXLE SIZE: 1
- 11. HUB COLOR: SILVER
- 12. GREASE ZERK: NO
- 13. VENDOR: HOOSIER #869H34-82

Item Number	Part Number	Description	Qty.
1	Z30007A9	TIRE-AIR 12	1
2	Z30008A8	TUBE-AIR 12	1
3	Z30002A4	BEARING-FLG 1/RPMT	2

B		DRAWN FROM CADKEY	PBS	1/08
CHG.	E.C.O.	DESCRIPTION / WAS	BY	DATE

**PROPRIETARY AND CONFIDENTIAL**

THE INFORMATION CONTAINED IN THIS DRAWING IS THE SOLE PROPERTY OF VALLEY CRAFT. ANY REPRODUCTION IN PART OR AS A WHOLE WITHOUT THE WRITTEN PERMISSION OF VALLEY CRAFT IS PROHIBITED.

**ALL ANGLES ARE 90° UNLESS SPECIFIED**

**UNLESS OTHERWISE SPECIFIED:**

DECIMALS  
2 PLACES ±0.01  
3 PLACES ±0.005  
ANGLE ±1°

**GRIND/SAND SHARP EDGES .015 MAX DOES NOT APPLY TO DRILLED HOLE DIA.**

	NAME	DATE
DRAWN	salvopb	1/08
CHECKED		
ENG APPR.		



2001 South Hwy. 61, Lake City, MN 55041-9555, U.S.A.

**TITLE:** WHL-12 AIR

**SIZE:** **A** **PART NO.:** Z30681A7

**MATL:**

SCALE: 1:6 WEIGHT: 12.53 SHEET 3 OF 3