

STANDARD 2-WHEEL PALLET TRUCKS
 MATERIAL: STEEL
 BRAKES: NO
 WHEEL: PNEUMATIC
 CAPACITY: 1,000 LBS
 HEIGHT: 54"
 WIDTH: 25-3/4"
 DEPTH: 27"
 SHOE LENGTH: 13-3/4"
 PRODUCT WEIGHT: 74 LBS

PROPRIETARY AND CONFIDENTIAL

THE INFORMATION CONTAINED IN THIS DRAWING IS THE SOLE PROPERTY OF VALLEY CRAFT. ANY REPRODUCTION IN PART OR AS A WHOLE WITHOUT THE WRITTEN PERMISSION OF VALLEY CRAFT IS PROHIBITED.

UNLESS OTHERWISE SPECIFIED:

DECIMALS
 2 PLACES ±0.01
 3 PLACES ±0.005
 ANGLE ±1°

GRIND/SAND SHARP EDGES .015 MAX DOES NOT APPLY TO DRILLED HOLE DIA.



2001 South Hwy. 61, Lake City, MN 55041-9555, U.S.A.

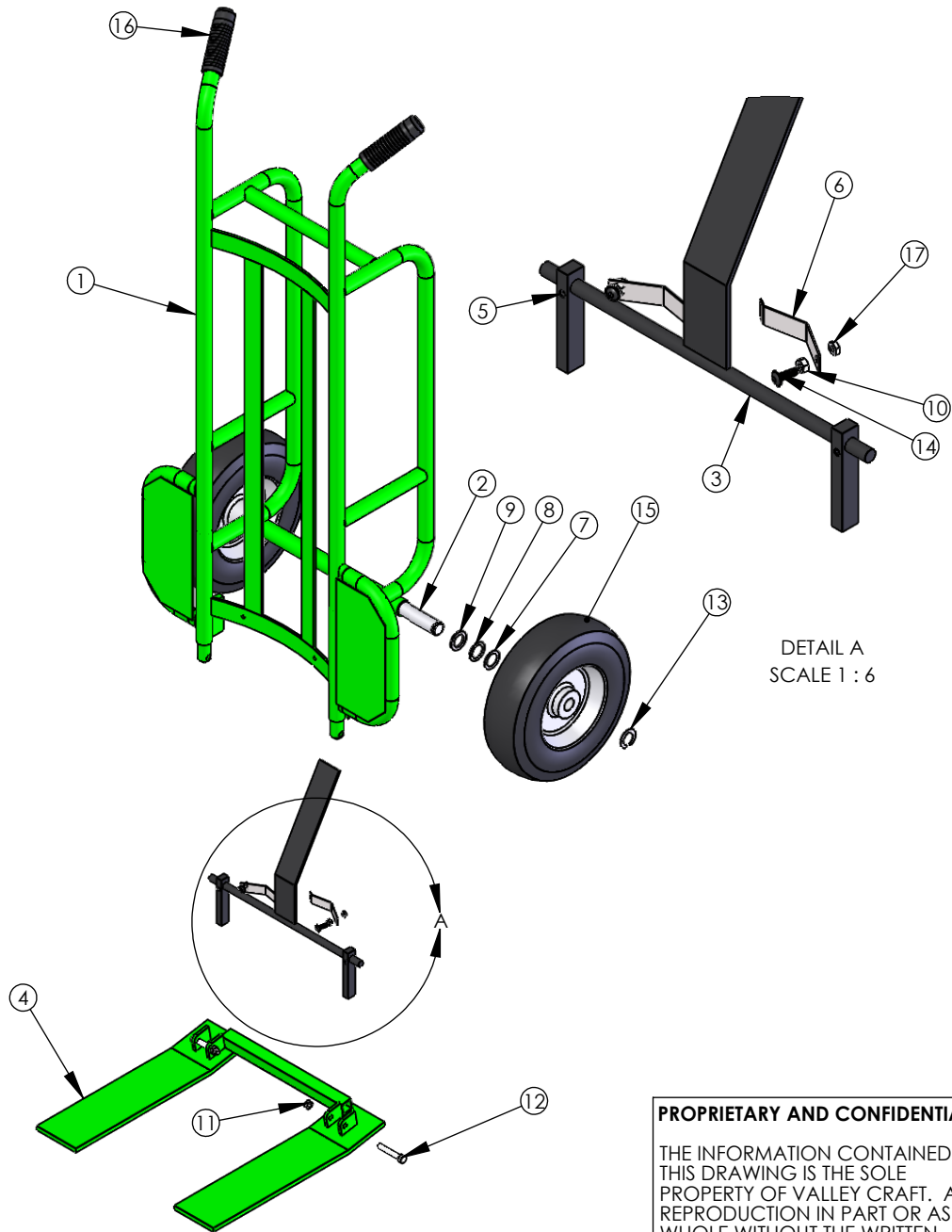
TITLE: TRK-PAL/800SA-15

B	-	CREATED	DN	12/10/2019
CHG.	E.C.O.	DESCRIPTION / WAS	BY	DATE

ALL ANGLES ARE 90° UNLESS SPECIFIED

	NAME	DATE
DRAWN	DN	12/10/2019
CHECKED		
ENG APPR.		

SIZE	PART NO.
A	F84738A8
	MATL: Material <not specified>
SCALE: 1:24	WEIGHT: 82.67 SHEET 1 OF 3



ITEM NO.	PART NUMBER	DESCRIPTION	QTY.
1	F60014A3	F W/800SA	1
2	F30001A1	AXLE-800SS	1
3	F60008A1/R70006	TRIP PDL WLDMT -- CS, use R70006 for RPMTS	1
4	F60415A8/R70415	SHOE WLDMT-14.5/S -- CS, use R70415 for RPMTS	1
5	Z10007A9	PIN-SPG 1/4X3/4	1
6	F30212A6/R70212	SPG-TRIP PDL -- CS, use R70212 for RPMTS	2
7	Z10011A5	BUSH-MACH 1x18GAx1-1/2 OD	2
8	Z10012A4	BUSH-MACH 1x14GAx1-1/2 OD	2
9	Z10013A3	BUSH-MACH 1x10GAx1-1/2 OD	2
10	Z10035A7	NUT-HEX KEPS 1/4-20	2
11	Z10047A3	NUT-NYL NE 3/8-16	2
12	Z10136A5	S-HHC 3/8-16X2-1/4	2
13	Z10223A9	RING-RTNG 1	2
14	Z10438A0	S-BHCS 1/4-20X3/4 BLK	2
15	Z30681A7	WHL-12 AIR	2
16	Z50007A7	GRIP-HDL 1-1/8" BLK	2

PROPRIETARY AND CONFIDENTIAL

THE INFORMATION CONTAINED IN THIS DRAWING IS THE SOLE PROPERTY OF VALLEY CRAFT. ANY REPRODUCTION IN PART OR AS A WHOLE WITHOUT THE WRITTEN PERMISSION OF VALLEY CRAFT IS PROHIBITED.

UNLESS OTHERWISE SPECIFIED:

DECIMALS
2 PLACES ±0.01
3 PLACES ±0.005
ANGLE ±1°

GRIND/SAND SHARP EDGES .015 MAX DOES NOT APPLY TO DRILLED HOLE DIA.

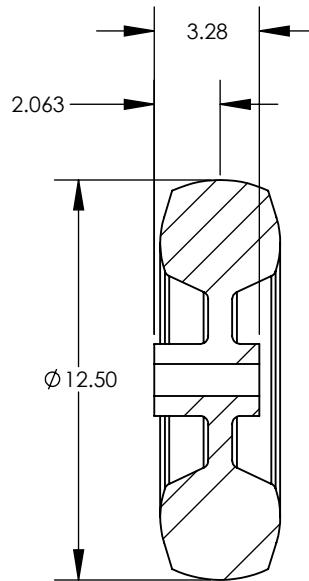
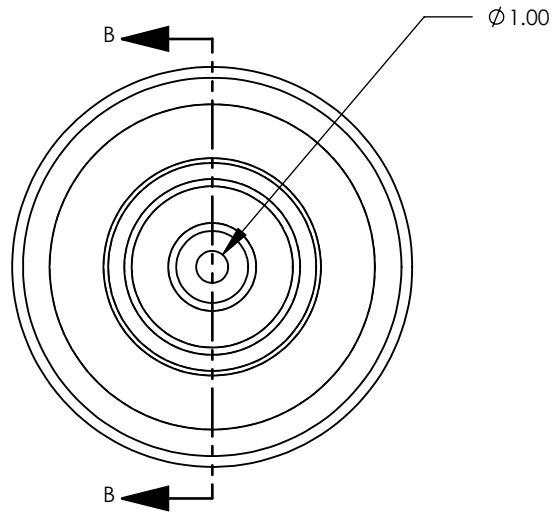
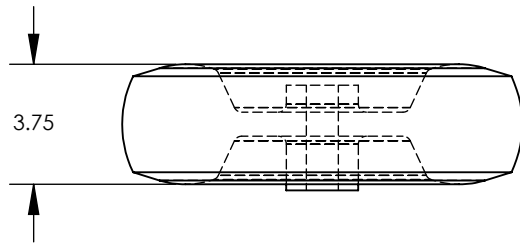


TITLE: TRK-PAL/800SA-15

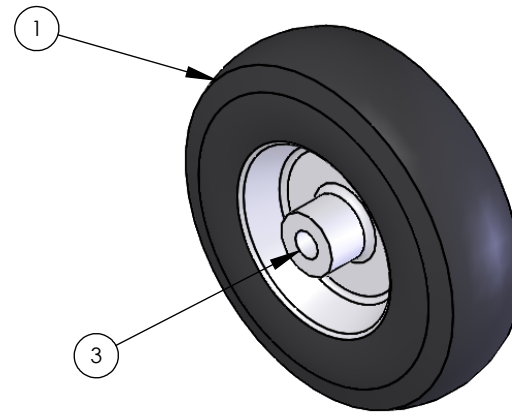
DRAWN		NAME	DATE	SIZE	PART NO.	
DRAWN		DN	12/10/2019			A
CHECKED					MATL: Material <not specified>	
ENG APPR.						
				SCALE: 1:24	WEIGHT: 82.67	SHEET 2 OF 3

CHG.	E.C.O.	DESCRIPTION / WAS	BY	DATE
B	-	CREATED	DN	12/10/2019

ALL ANGLES ARE 90° UNLESS SPECIFIED



SECTION B-B



- 1. TIRE SIZE: 12 - 1/2 X 3 - 3/4 (4.1/3.5 - 6)
- 2. TREAD PATTERN: SAWTOOTH
- 3. WHEEL MATERIAL: RUBBER
- 4. LOAD CAP./WHEEL: LOAD RANGE "B"
- 5. WEIGHT/WHEEL: 7#
- 6. OVERALL HUB WIDTH: 3.28
- 7. OFFSET CENTER OF WHEEL TO END OF HUB: 2 - 1/16
- 8. HUB MATERIAL: STEEL
- 9. BEARING TYPE: BALL
- 10. BORE OR AXLE SIZE: 1
- 11. HUB COLOR: SILVER
- 12. GREASE ZERK: NO
- 13. VENDOR: HOOSIER #869H34-82

Item Number	Part Number	Description	Qty.
1	Z30007A9	TIRE-AIR 12	1
2	Z30008A8	TUBE-AIR 12	1
3	Z30002A4	BEARING-FLG 1/RPMT	2

B		DRAWN FROM CADKEY	PBS	1/08
CHG.	E.C.O.	DESCRIPTION / WAS	BY	DATE

PROPRIETARY AND CONFIDENTIAL

THE INFORMATION CONTAINED IN THIS DRAWING IS THE SOLE PROPERTY OF VALLEY CRAFT. ANY REPRODUCTION IN PART OR AS A WHOLE WITHOUT THE WRITTEN PERMISSION OF VALLEY CRAFT IS PROHIBITED.

ALL ANGLES ARE 90° UNLESS SPECIFIED

UNLESS OTHERWISE SPECIFIED:

DECIMALS
2 PLACES ±0.01
3 PLACES ±0.005
ANGLE ±1°

GRIND/SAND SHARP EDGES .015 MAX DOES NOT APPLY TO DRILLED HOLE DIA.

	NAME	DATE
DRAWN	salvopb	1/08
CHECKED		
ENG APPR.		



2001 South Hwy. 61, Lake City, MN 55041-9555, U.S.A.

TITLE: WHL-12 AIR

SIZE: **A** **PART NO.:** Z30681A7

MATL:

SCALE: 1:6 WEIGHT: 12.53 SHEET 3 OF 3