

STANDARD 2-WHEEL PALLET TRUCKS  
 MATERIAL: ALUMINUM W/ STEEL FORKS  
 BRAKES: NO  
 WHEEL: MOLD-ON RUBBER  
 CAPACITY: 1,000 LBS  
 HEIGHT: 54"  
 WIDTH: 26"  
 DEPTH: 25"  
 SHOE LENGTH: 13-3/4"  
 PRODUCT WEIGHT: 56 LBS

**PROPRIETARY AND CONFIDENTIAL**  
 THE INFORMATION CONTAINED IN THIS DRAWING IS THE SOLE PROPERTY OF VALLEY CRAFT. ANY REPRODUCTION IN PART OR AS A WHOLE WITHOUT THE WRITTEN PERMISSION OF VALLEY CRAFT IS PROHIBITED.

**UNLESS OTHERWISE SPECIFIED:**  
 DECIMALS  
 2 PLACES ±0.01  
 3 PLACES ±0.005  
 ANGLE ±1°  
**GRIND/SAND SHARP EDGES .015 MAX DOES NOT APPLY TO DRILLED HOLE DIA.**



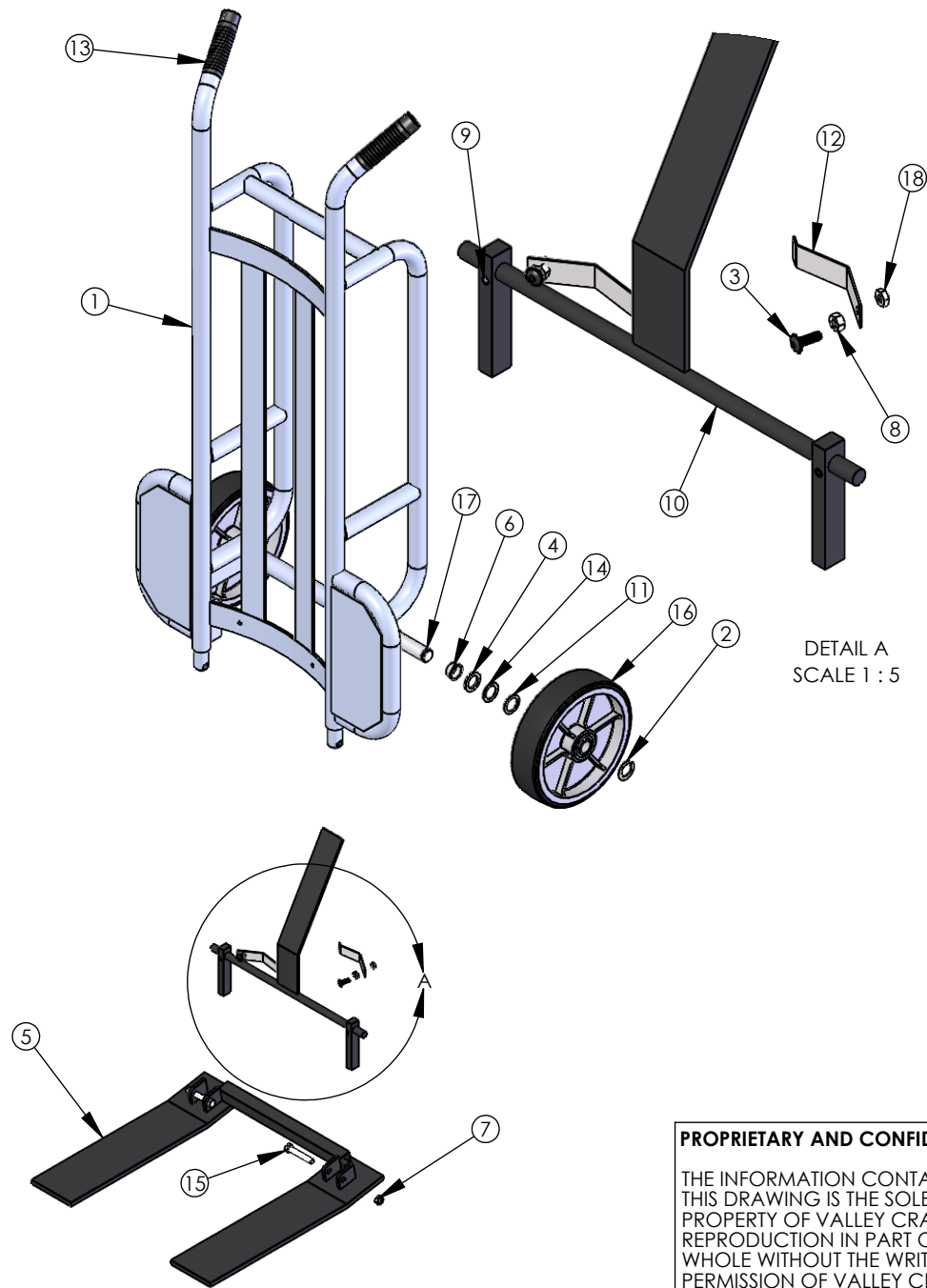
**TITLE:** TRK-PAL/800ASM-15

C	E22-056	ADDED SHEET METAL GUARD	DN	11/09/2022
CHG.	E.C.O.	DESCRIPTION / WAS	BY	DATE

**ALL ANGLES ARE 90° UNLESS SPECIFIED**

	NAME	DATE
DRAWN	DN	11/08/2018
CHECKED		
ENG APPR.		

SIZE	<b>PART NO.</b>
<b>A</b>	F84752A9
	<b>MATL:</b> Material <not specified>
SCALE: 1:24	WEIGHT: 64.15 SHEET 1 OF 2



DETAIL A  
SCALE 1 : 5

ITEM NO.	PART NUMBER	DESCRIPTION	QTY.
1	F60142A8	F W/800AS	1
2	Z10223A9	RING-RTNG 1	2
3	Z10438A0	S-BHCS 1/4-20X3/4 BLK	2
4	Z10013A3	BUSH-MACH 1x10Gax1-1/2 OD	8
5	F60415A8/R70415	SHOE WLDMT-14.5/S -- CS, use R70415 for RPMTS	1
6	F57260A9	BRG-STL FLG 1.01X1.05X.5	2
7	Z10047A3	NUT-NYL NE 3/8-16	2
8	Z10035A7	NUT-HEX KEPS 1/4-20	2
9	Z10007A9	PIN-SPG 1/4X3/4	1
10	F60008A1/R70006	TRIP PDL WLDMT -- CS, use R70006 for RPMTS	1
11	Z10012A4	BUSH-MACH 1x14Gax1-1/2 OD	2
12	F30212A6/R70212	SPG-TRIP PDL -- CS, use R70212 for RPMTS	2
13	Z50085A2	GRIP-HDL 1-1/4" BLK	2
14	Z10011A5	BUSH-MACH 1x18Gax1-1/2 OD	2
15	Z10136A5	S-HHC 3/8-16X2-1/4	2
16	F60011A6	WHL-10 M/O	2
17	F30001A1	AXLE-800SS	1
18	Z10043A7	NUT-NYL NE 1/4-20	2

**PROPRIETARY AND CONFIDENTIAL**  
 THE INFORMATION CONTAINED IN THIS DRAWING IS THE SOLE PROPERTY OF VALLEY CRAFT. ANY REPRODUCTION IN PART OR AS A WHOLE WITHOUT THE WRITTEN PERMISSION OF VALLEY CRAFT IS PROHIBITED.

**UNLESS OTHERWISE SPECIFIED:**  
 DECIMALS  
 2 PLACES ±0.01  
 3 PLACES ±0.005  
 ANGLE ±1°  
 GRIND/SAND SHARP EDGES .015 MAX  
 DOES NOT APPLY TO DRILLED HOLE DIA.



**TITLE:** TRK-PAL/800ASM-15

	NAME	DATE
DRAWN	DN	11/08/2018
CHECKED		
ENG APPR.		

SIZE	PART NO.
A	F84752A9
<b>MATL:</b> Material <not specified>	
SCALE: 1:24	WEIGHT: 64.15 SHEET 2 OF 2

C	E22-056	ADDED SHEET METAL GUARD	DN	11/09/2022
CHG.	E.C.O.	DESCRIPTION / WAS	BY	DATE

**ALL ANGLES ARE 90° UNLESS SPECIFIED**