

STANDARD 2-WHEEL PALLET TRUCKS
 MATERIAL: ALUMINUM W/ STEEL FORKS
 BRAKES: NO
 WHEEL: SOLID RUBBER
 CAPACITY: 1,000 LBS
 HEIGHT: 54"
 WIDTH: 26"
 DEPTH: 25"
 SHOE LENGTH: 13-3/4"
 PRODUCT WEIGHT: 61 LBS

PROPRIETARY AND CONFIDENTIAL

THE INFORMATION CONTAINED IN THIS DRAWING IS THE SOLE PROPERTY OF VALLEY CRAFT. ANY REPRODUCTION IN PART OR AS A WHOLE WITHOUT THE WRITTEN PERMISSION OF VALLEY CRAFT IS PROHIBITED.

UNLESS OTHERWISE SPECIFIED:

DECIMALS
 2 PLACES ±0.01
 3 PLACES ±0.005
 ANGLE ±1°

GRIND/SAND SHARP EDGES .015 MAX DOES NOT APPLY TO DRILLED HOLE DIA.



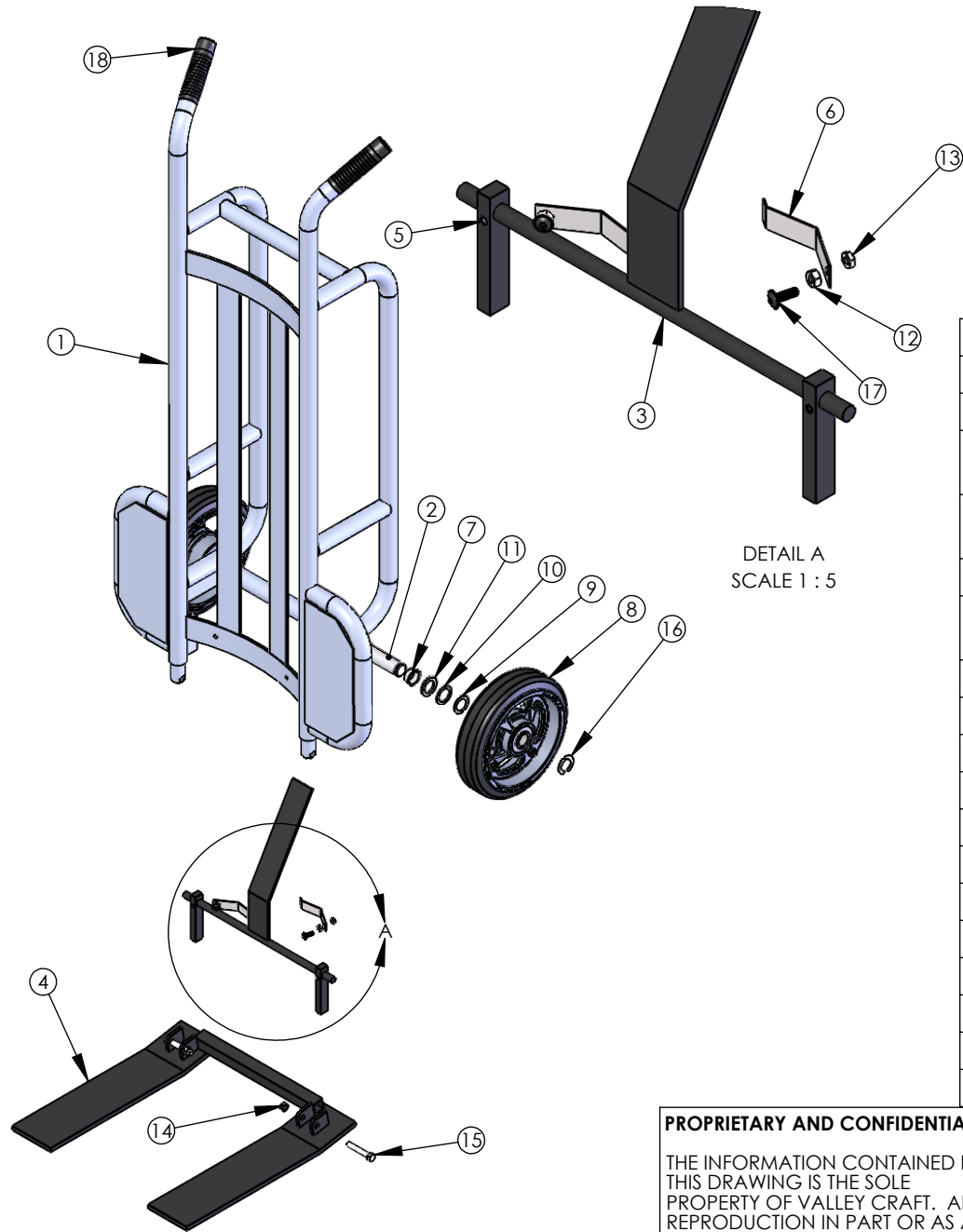
TITLE: TRK-PAL/800AS-15

	NAME	DATE
DRAWN	DN	12/20/2019
CHECKED		
ENG APPR.		

SIZE	PART NO.
A	F84753A8
	MATL: Material <not specified>
SCALE: 1:24	WEIGHT: 58.33 SHEET 1 OF 3

CHG.	E.C.O.	DESCRIPTION / WAS	BY	DATE
C	E22-056	ADDED SHEET METAL GUARD	DN	11/09/2022

ALL ANGLES ARE 90° UNLESS SPECIFIED



ITEM NO.	PART NUMBER	DESCRIPTION	QTY.
1	F60142A8	F W/800AS	1
2	F30001A1	AXLE-800SS	1
3	F60008A1/R70006	TRIP PDL WLDMT -- CS, use R70006 for RPMTS	1
4	F60415A8/R70415	SHOE WLDMT-14.5/S -- CS, use R70415 for RPMTS	1
5	Z10007A9	PIN-SPG 1/4X3/4	1
6	F30212A6/R70212	SPG-TRIP PDL -- CS, use R70212 for RPMTS	2
7	F57260A9	BRG-STL FLG 1.01X1.05X.5	2
8	F60004A5	WHL-10 D/M	2
9	Z10011A5	BUSH-MACH 1x18GAX1-1/2 OD	2
10	Z10012A4	BUSH-MACH 1x14GAX1-1/2 OD	2
11	Z10013A3	BUSH-MACH 1x10GAX1-1/2 OD	2
12	Z10035A7	NUT-HEX KEPS 1/4-20	2
13	Z10043A7	NUT-NYL NE 1/4-20	2
14	Z10047A3	NUT-NYL NE 3/8-16	2
15	Z10136A5	S-HHC 3/8-16X2-1/4	2
16	Z10223A9	RING-RTNG 1	2
17	Z10438A0	S-BHCS 1/4-20X3/4 BLK	2
18	Z50085A2	GRIP-HDL 1-1/4" BLK	2

PROPRIETARY AND CONFIDENTIAL

THE INFORMATION CONTAINED IN THIS DRAWING IS THE SOLE PROPERTY OF VALLEY CRAFT. ANY REPRODUCTION IN PART OR AS A WHOLE WITHOUT THE WRITTEN PERMISSION OF VALLEY CRAFT IS PROHIBITED.

UNLESS OTHERWISE SPECIFIED:

DECIMALS
2 PLACES ±0.01
3 PLACES ±0.005
ANGLE ±1°

GRIND/SAND SHARP EDGES .015 MAX DOES NOT APPLY TO DRILLED HOLE DIA.



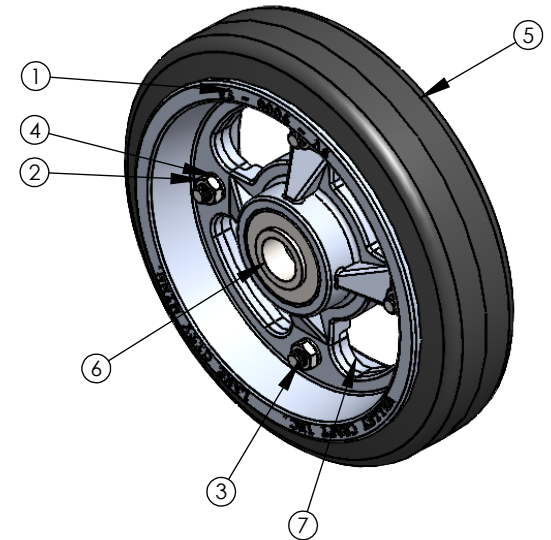
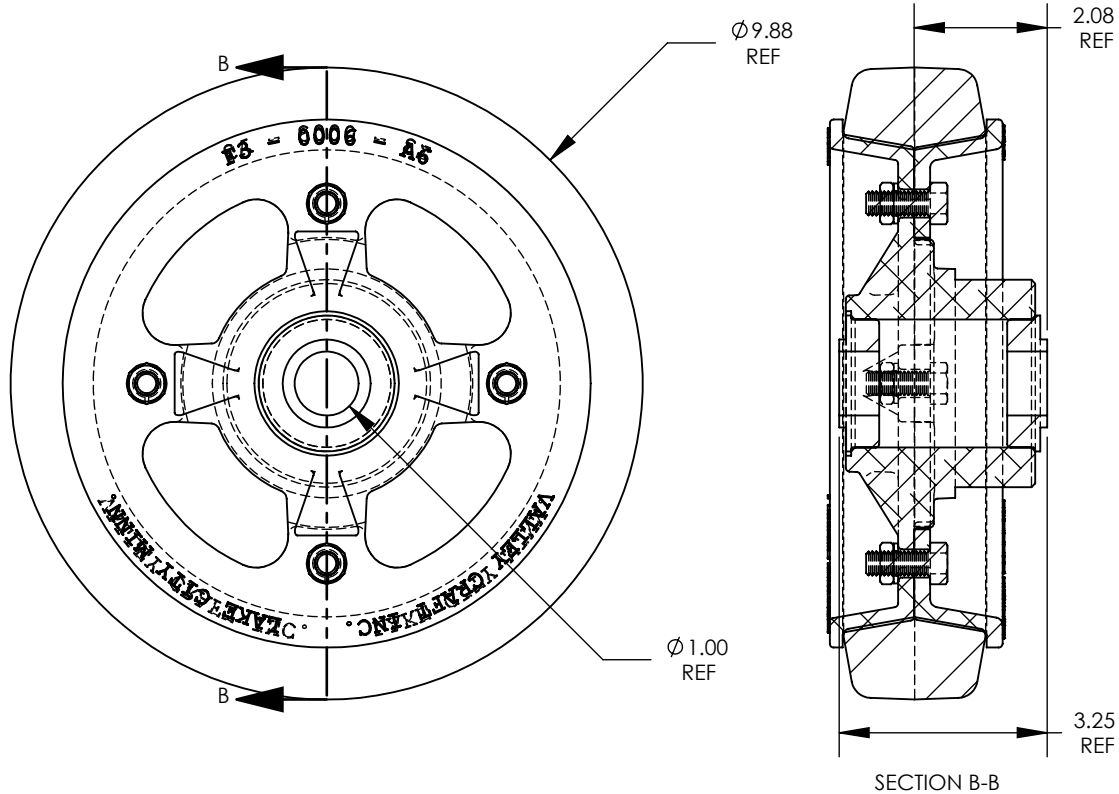
TITLE: TRK-PAL/800AS-15

C	E22-056	ADDED SHEET METAL GUARD	DN	11/09/2022
CHG.	E.C.O.	DESCRIPTION / WAS	BY	DATE

ALL ANGLES ARE 90° UNLESS SPECIFIED

	NAME	DATE
DRAWN	DN	12/20/2019
CHECKED		
ENG APPR.		

SIZE	PART NO.
A	F84753A8
	MATL: Material <not specified>
SCALE: 1:24	WEIGHT: 58.33 SHEET 2 OF 3



NOTES:

- A** : 10 X 2-1/2 TIRE SIZE
- B** : SMOOTH TREAD PATTERN
- C** : SOFT RUBBER WHEEL MATERIAL
- D** : 600# LOAD CAPACITY
- E** : 8.5# WEIGHT/WHEEL
- F** : ALUMINUM HUB MATERIAL
- G** : BALL BEARING TYPE
- H** : SILVER HUB COLOR

ITEM NO.	PART NUMBER	DESCRIPTION	QT. Y.
1	F30006A6	HUB-D/M 10X2.5	1
2	Z10026A8	NUT-HEX JAM 3/8-16ZP	4
3	Z10132A9	S-HHC 3/8-16X1	4
4	Z10214A0	WASHER-3/8 LOCK MD	4
5	Z30001A5	TIRE-HARD BASE D/M 10 X 2-1/2	1
6	Z30002A4	BRG-FLG 1/RPMT	2
7	Z30003A3	FLG-D/M 10X.5HD-10F	1

PROPRIETARY AND CONFIDENTIAL

THE INFORMATION CONTAINED IN THIS DRAWING IS THE SOLE PROPERTY OF VALLEY CRAFT. ANY REPRODUCTION IN PART OR AS A WHOLE WITHOUT THE WRITTEN PERMISSION OF VALLEY CRAFT IS PROHIBITED.

UNLESS OTHERWISE SPECIFIED:

DECIMALS
2 PLACES ± 0.01
3 PLACES ± 0.005
ANGLE $\pm 1^\circ$

GRIND/SAND SHARP EDGES .015 MAX DOES NOT APPLY TO DRILLED HOLE DIA.



TITLE: WHL-10 D/M

SIZE	PART NO.
A	F60004A5
MATL:	
SCALE: 1:3	WEIGHT:
	SHEET 3 OF 3

A	-	DRAWN	JS	01/29/2009
CHG.	E.C.O.	DESCRIPTION / WAS	BY	DATE

ALL ANGLES ARE 90° UNLESS SPECIFIED