

STANDARD 2-WHEEL PALLET TRUCKS
 MATERIAL: STEEL
 BRAKES: NO
 WHEEL: SOLID RUBBER
 CAPACITY: 1,000 LBS
 HEIGHT: 54"
 WIDTH: 25-3/4"
 DEPTH: 24-3/4"
 SHOE LENGTH: 13-3/4"
 PRODUCT WEIGHT: 73.5 LBS

PROPRIETARY AND CONFIDENTIAL

THE INFORMATION CONTAINED IN THIS DRAWING IS THE SOLE PROPERTY OF VALLEY CRAFT. ANY REPRODUCTION IN PART OR AS A WHOLE WITHOUT THE WRITTEN PERMISSION OF VALLEY CRAFT IS PROHIBITED.

UNLESS OTHERWISE SPECIFIED:

DECIMALS
 2 PLACES ±0.01
 3 PLACES ±0.005
 ANGLE ±1°

GRIND/SAND SHARP EDGES .015 MAX DOES NOT APPLY TO DRILLED HOLE DIA.



2001 South Hwy. 61, Lake City, MN 55041-9555, U.S.A.

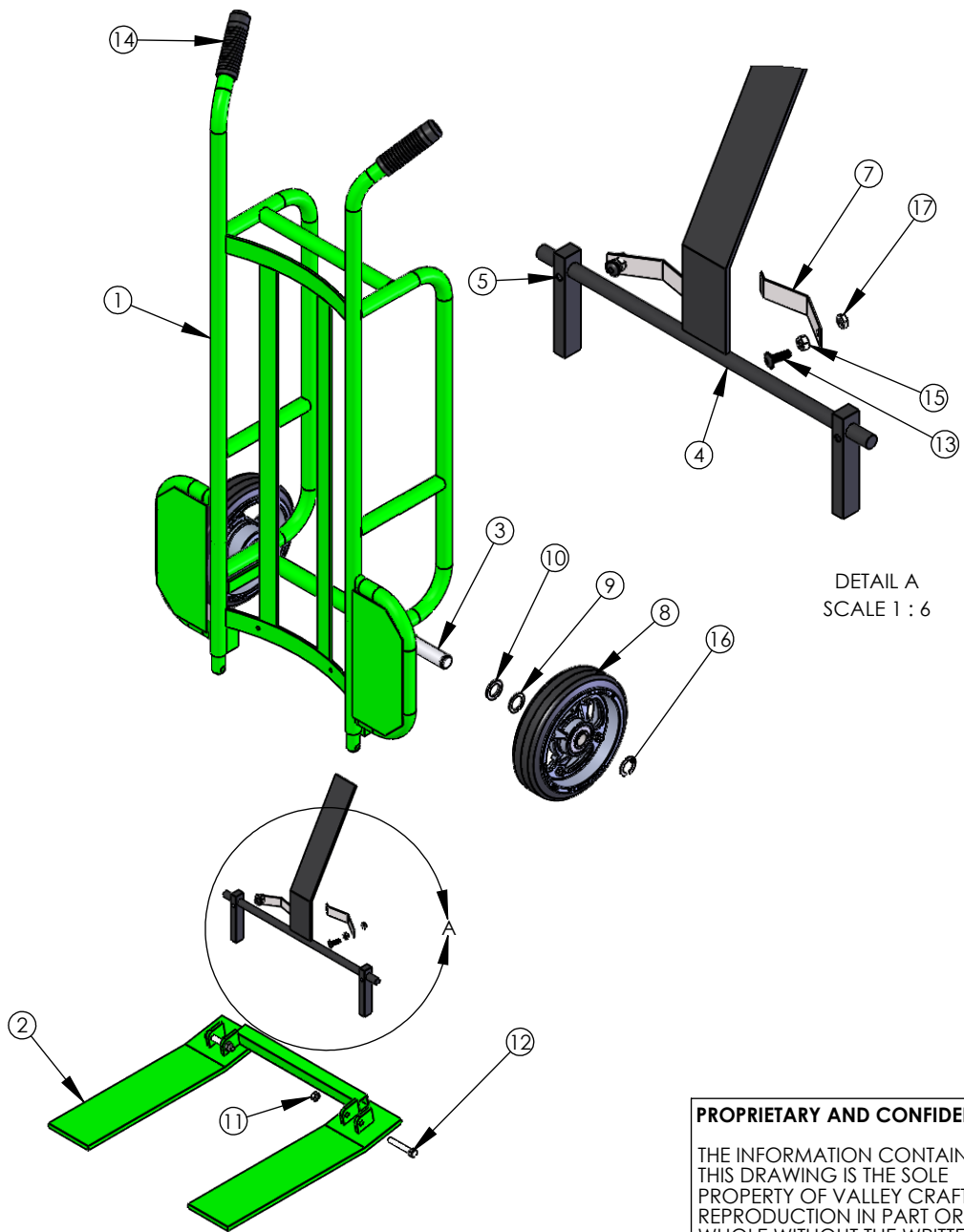
TITLE: TRK-PAL/800SS-15

	NAME	DATE
DRAWN	salvopb	5/8/2010
CHECKED		
ENG APPR.		

SIZE	PART NO.
A	F84776A1
	MATL:
SCALE: 1:24	WEIGHT: 52.03 SHEET 1 OF 3

B		DRAWN IN SW	SG	5/20/2013
CHG.	E.C.O.	DESCRIPTION / WAS	BY	DATE

ALL ANGLES ARE 90° UNLESS SPECIFIED



DETAIL A
SCALE 1 : 6

ITEM NO.	PART NUMBER	DESCRIPTION	QTY.
1	F60001A8	F W/800SSM	1
2	F60415A8/R70415	SHOE WLDMT-14.5/S -- CS, use R70415 for RPMTS	1
3	F30001A1	AXLE-800SS	1
4	F60008A1/R70006	TRIP PDL WLDMT -- CS, use R70006 for RPMTS	1
5	Z10007A9	PIN-SPG 1/4X3/4	1
7	F30212A6/R70212	SPG-TRIP PDL -- CS, use R70212 for RPMTS	2
8	F60004A5	WHL-10 D/M	2
9	Z10012A4	BUSH-MACH 1x14GAx1-1/2 OD	2
10	Z10013A3	BUSH-MACH 1x10GAx1-1/2 OD	2
11	Z10047A3	NUT-NYL NE 3/8-16	2
12	Z10136A5	S-HHC 3/8-16X2-1/4	2
13	Z10438A0	S-BHCS 1/4-20X3/4 BLK	2
14	Z50007A7	GRIP-HDL 1-1/8" BLK	2
15	Z10035A7	NUT-HEX KEPS 1/4-20	2
16	Z10223A9	RING-RTNG 1	2
17	Z10043A7	NUT-NYL NE 1/4-20	2

PROPRIETARY AND CONFIDENTIAL UNLESS OTHERWISE SPECIFIED:

THE INFORMATION CONTAINED IN THIS DRAWING IS THE SOLE PROPERTY OF VALLEY CRAFT. ANY REPRODUCTION IN PART OR AS A WHOLE WITHOUT THE WRITTEN PERMISSION OF VALLEY CRAFT IS PROHIBITED.

DECIMALS
2 PLACES ±0.01
3 PLACES ±0.005
ANGLE ±1°

GRIND/SAND SHARP EDGES .015 MAX DOES NOT APPLY TO DRILLED HOLE DIA.

NAME DATE
DRAWN salvopb 5/8/2010
CHECKED
ENG APPR.

ALL ANGLES ARE 90° UNLESS SPECIFIED

VALLEYCRAFT®
2001 South Hwy. 61, Lake City, MN 55041-9555, U.S.A.

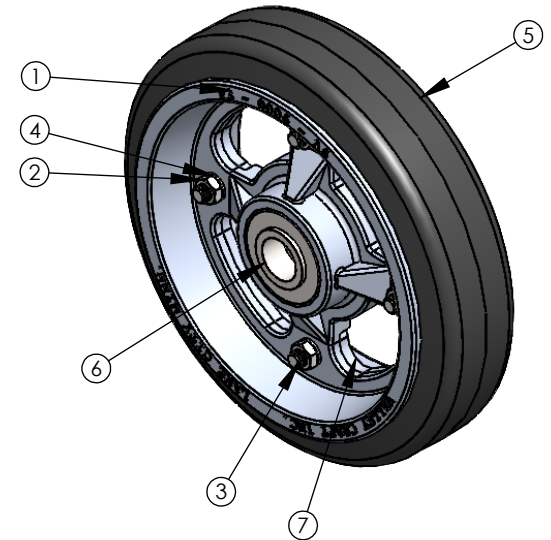
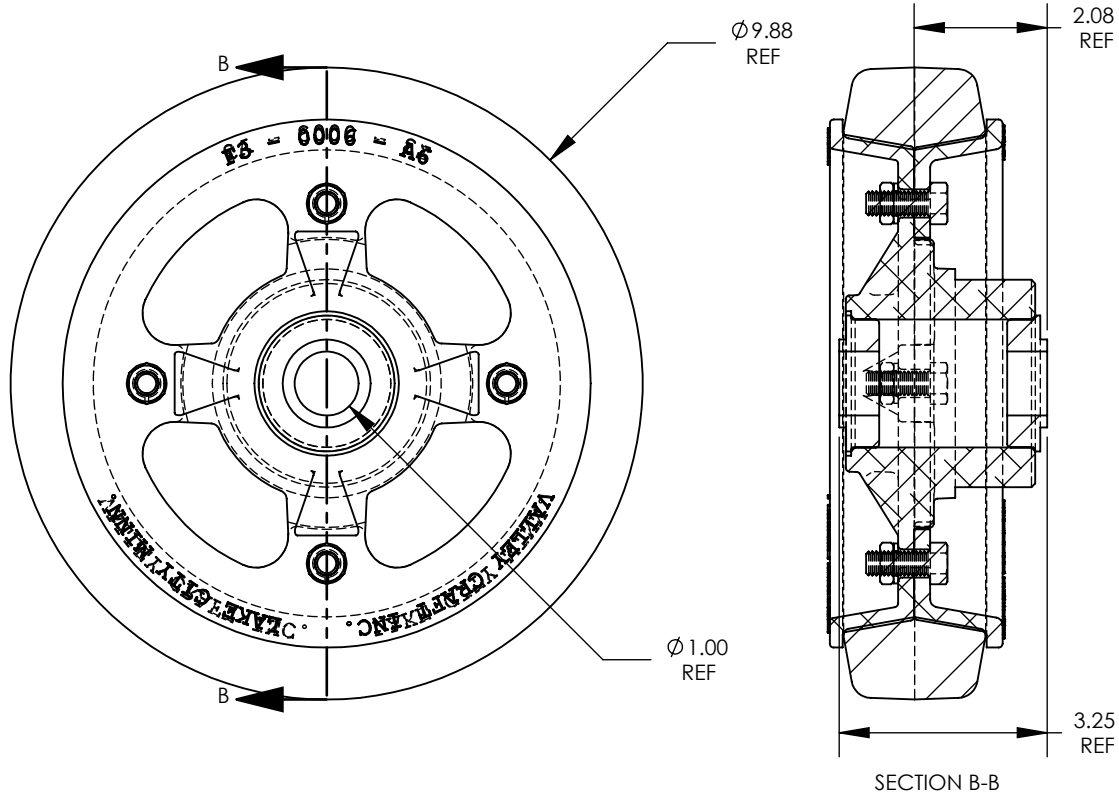
TITLE: TRK-PAL/800SS-15

PART NO.: F84776A1

MATL:

SCALE: 1:24 WEIGHT: 52.03 SHEET 2 OF 3

B		DRAWN IN SW	SG	5/20/2013
CHG.	E.C.O.	DESCRIPTION / WAS	BY	DATE



NOTES:

- A** : 10 X 2-1/2 TIRE SIZE
- B** : SMOOTH TREAD PATTERN
- C** : SOFT RUBBER WHEEL MATERIAL
- D** : 600# LOAD CAPACITY
- E** : 8.5# WEIGHT/WHEEL
- F** : ALUMINUM HUB MATERIAL
- G** : BALL BEARING TYPE
- H** : SILVER HUB COLOR

ITEM NO.	PART NUMBER	DESCRIPTION	QT. Y.
1	F30006A6	HUB-D/M 10X2.5	1
2	Z10026A8	NUT-HEX JAM 3/8-16ZP	4
3	Z10132A9	S-HHC 3/8-16X1	4
4	Z10214A0	WASHER-3/8 LOCK MD	4
5	Z30001A5	TIRE-HARD BASE D/M 10 X 2-1/2	1
6	Z30002A4	BRG-FLG 1/RPMT	2
7	Z30003A3	FLG-D/M 10X.5HD-10F	1

PROPRIETARY AND CONFIDENTIAL

THE INFORMATION CONTAINED IN THIS DRAWING IS THE SOLE PROPERTY OF VALLEY CRAFT. ANY REPRODUCTION IN PART OR AS A WHOLE WITHOUT THE WRITTEN PERMISSION OF VALLEY CRAFT IS PROHIBITED.

UNLESS OTHERWISE SPECIFIED:

DECIMALS
2 PLACES ± 0.01
3 PLACES ± 0.005
ANGLE $\pm 1^\circ$

GRIND/SAND SHARP EDGES .015 MAX DOES NOT APPLY TO DRILLED HOLE DIA.



TITLE: WHL-10 D/M

NAME	DATE	SIZE	PART NO.
DRAWN JS		A	F60004A5
CHECKED			MATL:
ENG APPR.		SCALE: 1:3	WEIGHT: SHEET 3 OF 3

A	-	DRAWN	JS	01/29/2009
CHG.	E.C.O.	DESCRIPTION / WAS	BY	DATE

ALL ANGLES ARE 90° UNLESS SPECIFIED