

STANDARD 2-WHEEL PALLET TRUCKS  
 MATERIAL: STEEL  
 BRAKES: NO  
 WHEEL: MOLD-ON RUBBER  
 CAPACITY: 1,000 LBS  
 HEIGHT: 54"  
 WIDTH: 25-3/4"  
 DEPTH: 24-3/4"  
 SHOE LENGTH: 13-3/4"  
 PRODUCT WEIGHT: 74 LBS

**PROPRIETARY AND CONFIDENTIAL**

THE INFORMATION CONTAINED IN THIS DRAWING IS THE SOLE PROPERTY OF VALLEY CRAFT. ANY REPRODUCTION IN PART OR AS A WHOLE WITHOUT THE WRITTEN PERMISSION OF VALLEY CRAFT IS PROHIBITED.

**UNLESS OTHERWISE SPECIFIED:**

DECIMALS  
 2 PLACES ±0.01  
 3 PLACES ±0.005  
 ANGLE ±1°

**GRIND/SAND SHARP EDGES .015 MAX DOES NOT APPLY TO DRILLED HOLE DIA.**



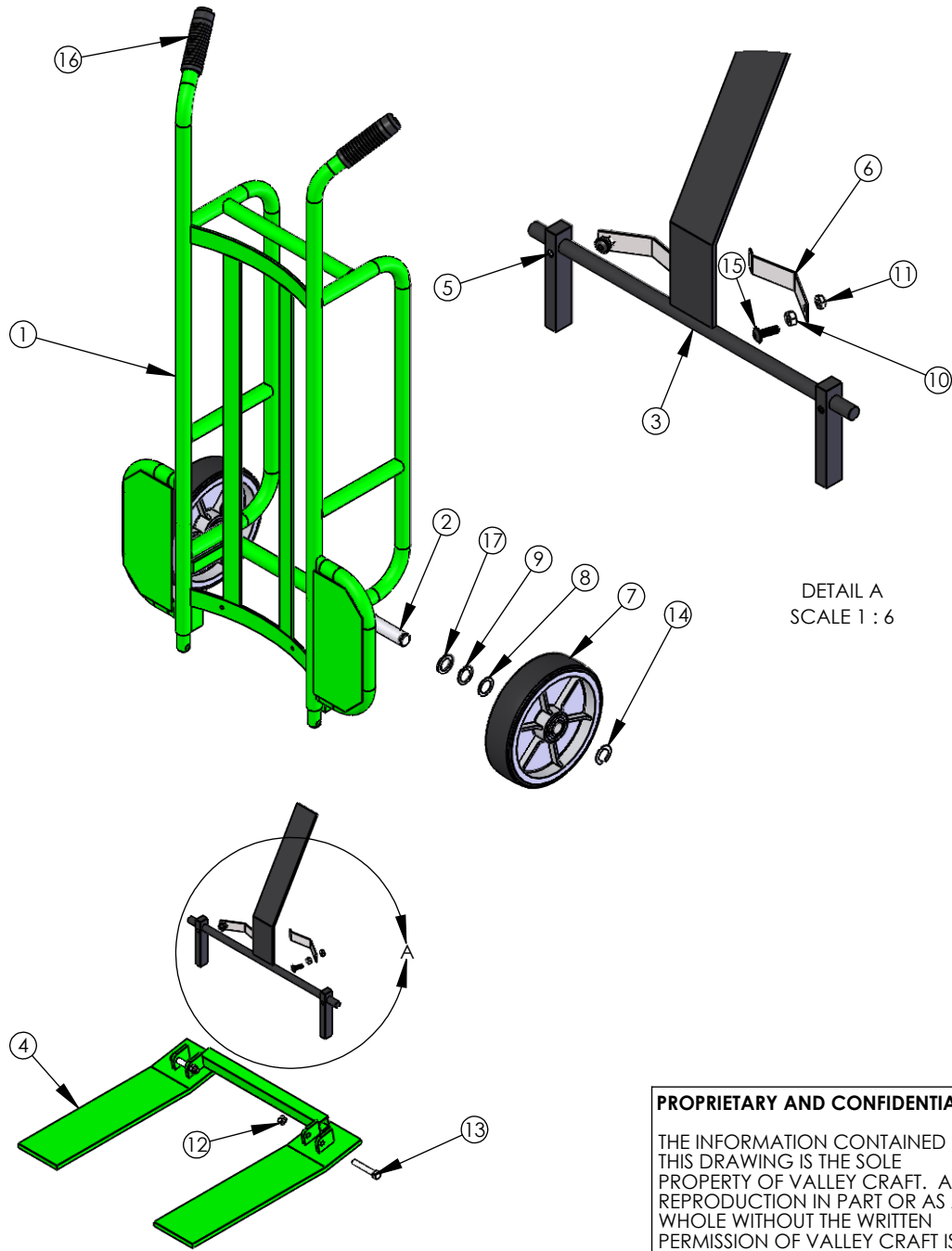
**TITLE:** TRK-PAL/800SSM-15

	NAME	DATE
DRAWN	DN	12/17/2019
CHECKED		
ENG APPR.		

SIZE	PART NO.
A	F84793A0
	<b>MATL:</b> Material <not specified>
SCALE: 1:24	WEIGHT: 78.40 SHEET 1 OF 2

B	-	CREATED	DN	12/17/2019
CHG.	E.C.O.	DESCRIPTION / WAS	BY	DATE

**ALL ANGLES ARE 90° UNLESS SPECIFIED**



ITEM NO.	PART NUMBER	DESCRIPTION	QTY.
1	F60001A8	F W/800SSM	1
2	F30001A1	AXLE-800SS	1
3	F60008A1/R70006	TRIP PDL WLDMT -- CS, use R70006 for RPMTS	1
4	F60415A8/R70415	SHOE WLDMT-14.5/S -- CS, use R70415 for RPMTS	1
5	Z10007A9	PIN-SPG 1/4X3/4	1
6	F30212A6/R70212	SPG-TRIP PDL -- CS, use R70212 for RPMTS	2
7	F60011A6	WHL-10 M/O	2
8	Z10011A5	BUSH-MACH 1x18GAx1-1/2 OD	2
9	Z10012A4	BUSH-MACH 1x14GAx1-1/2 OD	2
10	Z10035A7	NUT-HEX KEPS 1/4-20	2
11	Z10043A7	NUT-NYL NE 1/4-20	2
12	Z10047A3	NUT-NYL NE 3/8-16	2
13	Z10136A5	S-HHC 3/8-16X2-1/4	2
14	Z10223A9	RING-RTNG 1	2
15	Z10438A0	S-BHCS 1/4-20X3/4 BLK	2
16	Z50007A7	GRIP-HDL 1-1/8" BLK	2
17	Z10013A3	BUSH-MACH 1x10GAx1-1/2 OD	8

**PROPRIETARY AND CONFIDENTIAL**

THE INFORMATION CONTAINED IN THIS DRAWING IS THE SOLE PROPERTY OF VALLEY CRAFT. ANY REPRODUCTION IN PART OR AS A WHOLE WITHOUT THE WRITTEN PERMISSION OF VALLEY CRAFT IS PROHIBITED.

**UNLESS OTHERWISE SPECIFIED:**

DECIMALS  
2 PLACES ±0.01  
3 PLACES ±0.005  
ANGLE ±1°

**GRIND/SAND SHARP EDGES .015 MAX DOES NOT APPLY TO DRILLED HOLE DIA.**



**TITLE:** TRK-PAL/800SSM-15

B	-	CREATED	DN	12/17/2019
CHG.	E.C.O.	DESCRIPTION / WAS	BY	DATE

**ALL ANGLES ARE 90° UNLESS SPECIFIED**

	NAME	DATE
DRAWN	DN	12/17/2019
CHECKED		
ENG APPR.		

SIZE	<b>PART NO.</b>
A	F84793A0
	<b>MATL:</b> Material <not specified>
SCALE: 1:24	WEIGHT: 78.40 SHEET 2 OF 2