

STANDARD 2-WHEEL PALLET TRUCKS
 MATERIAL: ALUMINUM W/ STEEL FORKS
 BRAKES: YES
 WHEEL: PNEUMATIC
 CAPACITY: 1,000 LBS
 HEIGHT: 54"
 WIDTH: 26"
 DEPTH: 27-1/4"
 SHOE LENGTH: 13-3/4"
 PRODUCT WEIGHT: 64.5 LBS

PROPRIETARY AND CONFIDENTIAL

THE INFORMATION CONTAINED IN THIS DRAWING IS THE SOLE PROPERTY OF VALLEY CRAFT. ANY REPRODUCTION IN PART OR AS A WHOLE WITHOUT THE WRITTEN PERMISSION OF VALLEY CRAFT IS PROHIBITED.

UNLESS OTHERWISE SPECIFIED:

DECIMALS
 2 PLACES ±0.01
 3 PLACES ±0.005
 ANGLE ±1°

GRIND/SAND SHARP EDGES .015 MAX DOES NOT APPLY TO DRILLED HOLE DIA.



2001 South Hwy. 61, Lake City, MN 55041-9555, U.S.A.

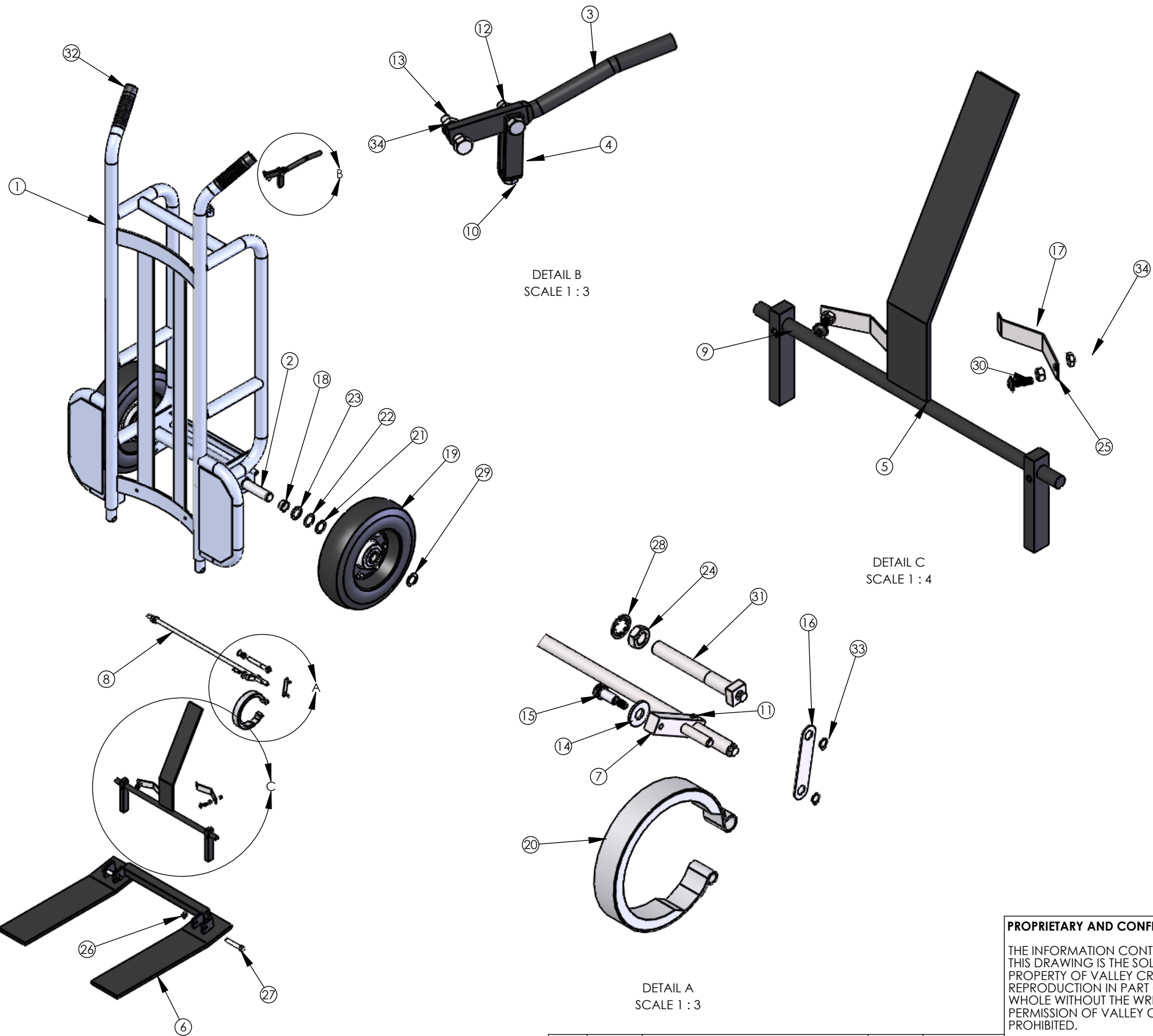
TITLE: TRK-PAL/825AA-15

	NAME	DATE
DRAWN	DN	12/19/2019
CHECKED		
ENG APPR.		

SIZE	PART NO.
A	F84877A9
	MATL: Material <not specified>
SCALE: 1:24	WEIGHT: 73.63 SHEET 1 OF 3

CHG.	E.C.O.	DESCRIPTION / WAS	BY	DATE
B	E21-092	REMOVED Z50594C2	DN	09/30/2021

ALL ANGLES ARE 90° UNLESS SPECIFIED



Not Modeled F60180A1: BRAKE CABLE ASSEMBLY Qty. 1

ITEM NO.	PART NUMBER	DESCRIPTION	QTY.
1	F60511A1	F W/825AA	1
2	F30001A1	AXLE-800SS	1
3	F30013A7	HDL-BRK/825	1
4	F30014A6	CLEVIS-BRK CABLE	1
5	F60008A1	TRIP PDL WLDMT -- CS, use R70006 for RPMTS	1
6	F60415A8	SHOE WLDMT-14.5/S -- CS, use R70415 for RPMTS	1
7	F68656A4	BRK ROD PIN WLDMT	1
8	F68894A6	BRK ROD WLDMT-18.13	1
9	Z10007A9	PIN-SPG 1/4X3/4	1
10	Z10041A9	NUT-HEX MACH #10-32	1
11	Z10069A6	PIN-SPG 3/16X5/8	1
12	Z10112A3	S-HHC 1/4-20X1	1
13	Z10113A2	S-HHC 1/4-20X1-1/4	1
14	Z10602A2	WASHER-1/4 FLAT SAE	1
15	Z10805A2	BOLT-STRIPPER 1/4X1/2	1
16	F30012A8	LINK-CONN/825	2
17	F30212A6	SPG-TRIP PDL -- CS, use R70212 for RPMTS	2
18	F57260A9	BRG-STL FLG 1.01X1.05X.5	2
19	F60032A1	WHL-12 AIR BRK	2
20	F62177A2	BRK BAND ASSY	2
21	Z10011A5	BUSH-MACH 1x18Gax1-1/2 OD	2
22	Z10012A4	BUSH-MACH 1x14Gax1-1/2 OD	2
23	Z10013A3	BUSH-MACH 1x10Gax1-1/2 OD	2
24	Z10030A2	NUT-HEX JAM 3/8-24	2
25	Z10035A7	NUT-HEX KEPS 1/4-20	2
26	Z10047A3	NUT-NYL NE 3/8-16	2
27	Z10136A5	S-HHC 3/8-16X2-1/4	2
28	Z10209A7	WASHER-3/8 LOCK INT TOOTH	2
29	Z10223A9	RING-RTNG 1	2
30	Z10438A0	S-BHCS 1/4-20X3/4 BLK	2
31	Z30012A2	ECC-BRK SHORT	2
32	Z50085A2	GRIP-HDL 1-1/4" BLK	2
33	Z10231A9	RING-RTNG 1/4	4
34	Z10043A7	NUT-NYL NE 1/4-20	4

PROPRIETARY AND CONFIDENTIAL

THE INFORMATION CONTAINED IN THIS DRAWING IS THE SOLE PROPERTY OF VALLEY CRAFT. ANY REPRODUCTION IN PART OR AS A WHOLE WITHOUT THE WRITTEN PERMISSION OF VALLEY CRAFT IS PROHIBITED.

UNLESS OTHERWISE SPECIFIED:

DECIMALS
2 PLACES ±0.01
3 PLACES ±0.005
ANGLE ±1°
GRIND/SAND SHARP EDGES .015 MAX
DOES NOT APPLY TO DRILLED HOLE DIA.



2001 South Hwy. 61, Lake City, MN 55041-9555, U.S.A.

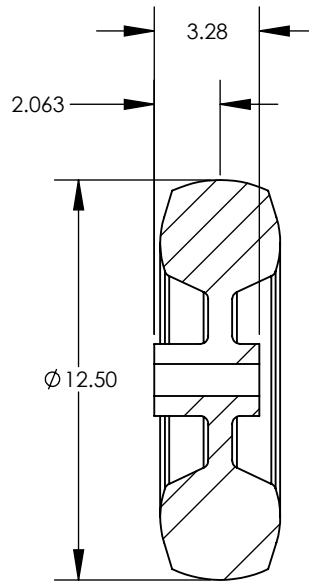
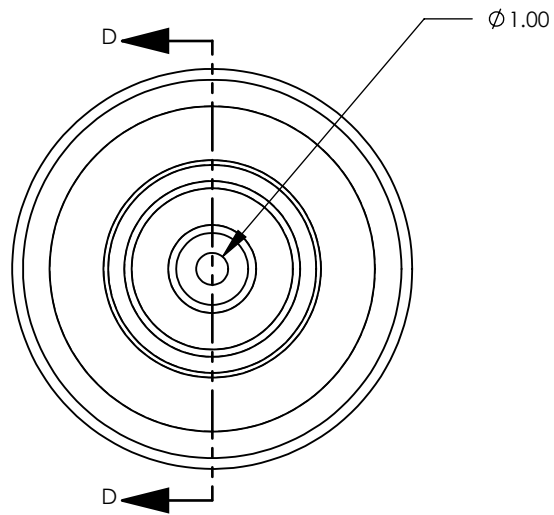
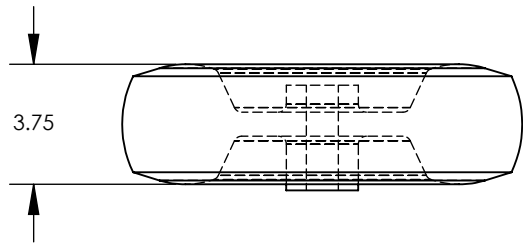
TITLE: TRK-PAL/825AA-15

B	E21-092	REMOVED Z50594C2	DN	09/30/2021
CHG	E.C.O.	DESCRIPTION / WAS	BY	DATE

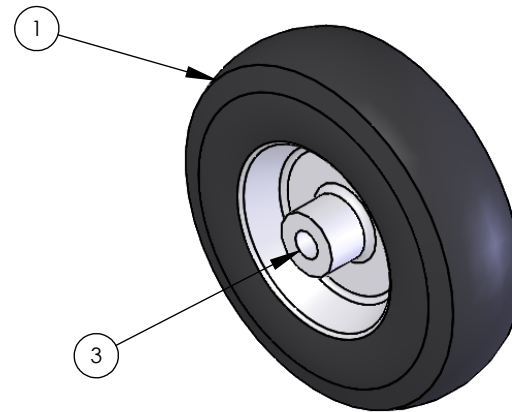
**ALL ANGLE ARE 90°
UNLESS SPECIFIED**

	NAME	DATE
DRAWN	DN	12/19/2019
CHECKED		
ENG APPR.		

SIZE	PART NO. F84877A9
B	MATL: Material <not specified>
SCALE:	1:16
WEIGHT:	73.63
SHEET	2 OF 3



SECTION D-D



1. TIRE SIZE: 12 - 1/2 X 3 - 3/4 (4.1/3.5 - 6)
2. TREAD PATTERN: SAWTOOTH
3. WHEEL MATERIAL: RUBBER
4. LOAD CAP./WHEEL: LOAD RANGE "B"
5. WEIGHT/WHEEL: 7#
6. OVERALL HUB WIDTH: 3.28
7. OFFSET CENTER OF WHEEL TO END OF HUB: 2 - 1/16
8. HUB MATERIAL: STEEL
9. BEARING TYPE: BALL
10. BORE OR AXLE SIZE: 1
11. HUB COLOR: SILVER
12. GREASE ZERK: NO
13. VENDOR: HOOSIER #869H34-82

Item Number	Part Number	Description	Qty.
1	Z30007A9	TIRE-AIR 12	1
2	Z30008A8	TUBE-AIR 12	1
3	Z30002A4	BEARING-FLG 1/RPMT	2

B		DRAWN FROM CADKEY	PBS	1/08
CHG.	E.C.O.	DESCRIPTION / WAS	BY	DATE

PROPRIETARY AND CONFIDENTIAL

THE INFORMATION CONTAINED IN THIS DRAWING IS THE SOLE PROPERTY OF VALLEY CRAFT. ANY REPRODUCTION IN PART OR AS A WHOLE WITHOUT THE WRITTEN PERMISSION OF VALLEY CRAFT IS PROHIBITED.

ALL ANGLES ARE 90° UNLESS SPECIFIED

UNLESS OTHERWISE SPECIFIED:

DECIMALS
2 PLACES ±0.01
3 PLACES ±0.005
ANGLE ±1°

GRIND/SAND SHARP EDGES .015 MAX DOES NOT APPLY TO DRILLED HOLE DIA.

	NAME	DATE
DRAWN	salvopb	1/08
CHECKED		
ENG APPR.		



2001 South Hwy. 61, Lake City, MN 55041-9555, U.S.A.

TITLE: WHL-12 AIR

SIZE: **A** **PART NO.:** Z30681A7

MATL:

SCALE: 1:6 WEIGHT: 12.53 SHEET 3 OF 3