

STANDARD 2-WHEEL PALLET TRUCKS
 MATERIAL: STEEL
 BRAKES: YES
 WHEEL: PNEUMATIC
 CAPACITY: 1,000 LBS
 HEIGHT: 53-3/4"
 WIDTH: 25-3/4"
 DEPTH: 27-1/4"
 SHOE LENGTH: 13-3/4"
 PRODUCT WEIGHT: 83 LBS

PROPRIETARY AND CONFIDENTIAL

THE INFORMATION CONTAINED IN THIS DRAWING IS THE SOLE PROPERTY OF VALLEY CRAFT. ANY REPRODUCTION IN PART OR AS A WHOLE WITHOUT THE WRITTEN PERMISSION OF VALLEY CRAFT IS PROHIBITED.

UNLESS OTHERWISE SPECIFIED:

DECIMALS
 2 PLACES ±0.01
 3 PLACES ±0.005
 ANGLE ±1°

GRIND/SAND SHARP EDGES .015 MAX DOES NOT APPLY TO DRILLED HOLE DIA.



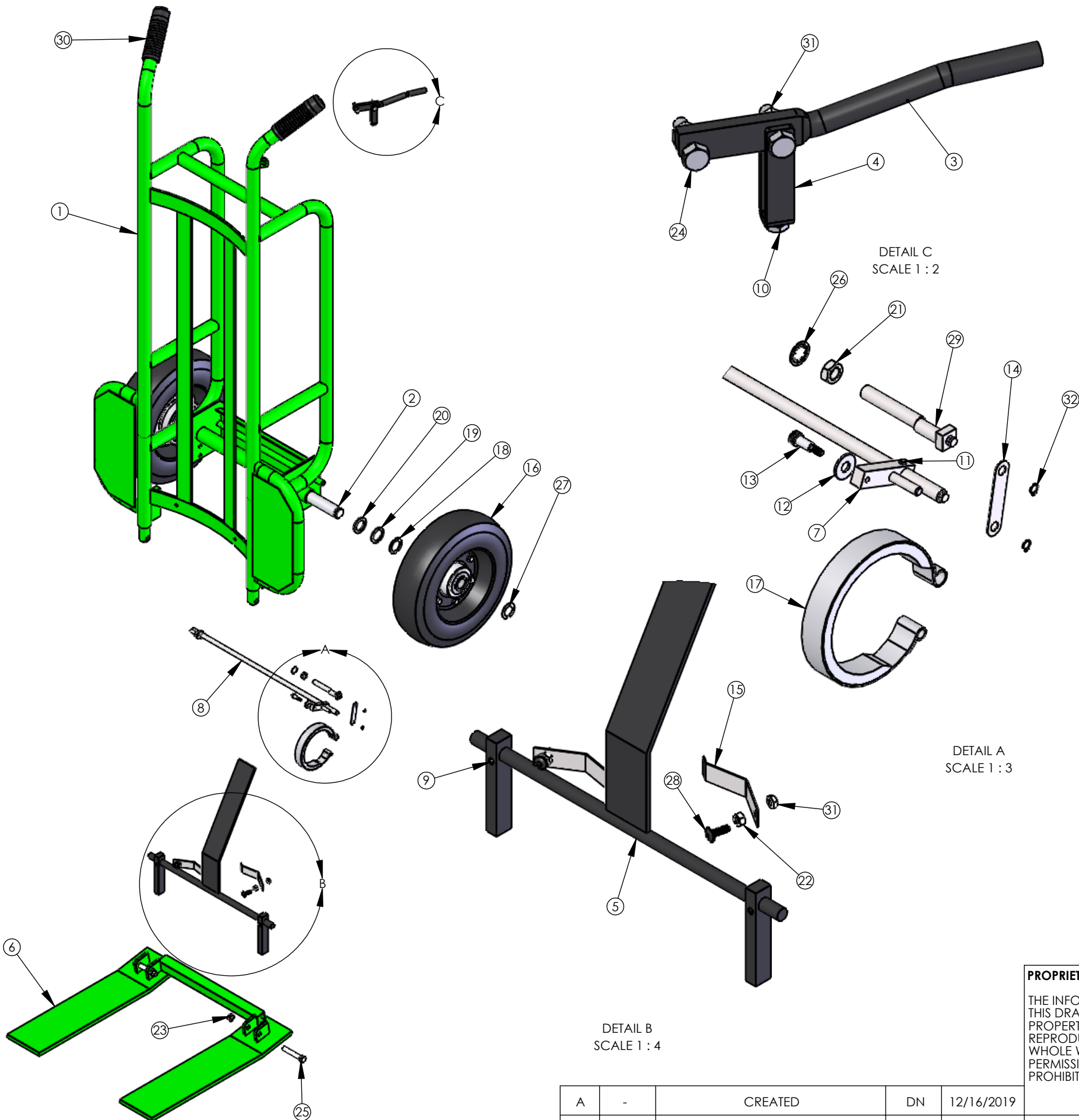
TITLE: TRK-PAL/825SA-15

A	-	CREATED	DN	12/16/2019
CHG.	E.C.O.	DESCRIPTION / WAS	BY	DATE

ALL ANGLES ARE 90° UNLESS SPECIFIED

	NAME	DATE
DRAWN	DN	12/16/2019
CHECKED		
ENG APPR.		

SIZE	PART NO.
A	F84879A7
	MATL: Material <not specified>
SCALE: 1:24	WEIGHT: 90.22 SHEET 1 OF 3



Not Modeled F60180A1: BRAKE CABLE ASSEMBLY Qty. 1

ITEM NO.	PART NUMBER	DESCRIPTION	QTY.
1	F60034A9	F W/825SA	1
2	F30001A1	AXLE-800SS	1
3	F30013A7	HDL-BRK/825	1
4	F30014A6	CLEVIS-BRK CABLE	1
5	F60008A1/R70006	TRIP PDL WLDMT -- CS, use R70006 for RPMTS	1
6	F60415A8/R70415	SHOE WLDMT-14.5/S -- CS, use R70415 for RPMTS	1
7	F68656A4	BRK ROD PIN WLDMT	1
8	F68894A6	BRK ROD WLDMT-18.13	1
9	Z10007A9	PIN-SPG 1/4X3/4	1
10	Z10041A9	NUT-HEX MACH #10-32	1
11	Z10069A6	PIN-SPG 3/16X5/8	1
12	Z10602A2	WASHER-1/4 FLAT SAE	1
13	Z10805A2	BOLT-STRIPPER 1/4X1/2	1
14	F30012A8	LINK-CONN/825	2
15	F30212A6/R70212	SPG-TRIP PDL -- CS, use R70212 for RPMTS	2
16	F60032A1	WHL-12 AIR BRK	2
17	F62177A2	BRK BAND ASSY	2
18	Z10011A5	BUSH-MACH 1x18GAx1-1/2 OD	2
19	Z10012A4	BUSH-MACH 1x14GAx1-1/2 OD	2
20	Z10013A3	BUSH-MACH 1x10GAx1-1/2 OD	2
21	Z10030A2	NUT-HEX JAM 3/8-24	2
22	Z10035A7	NUT-HEX KEPS 1/4-20	2
23	Z10047A3	NUT-NYL NE 3/8-16	2
24	Z10112A3	S-HHC 1/4-20X1	2
25	Z10136A5	S-HHC 3/8-16X2-1/4	2
26	Z10209A7	WASHER-3/8 LOCK INT TOOTH	2
27	Z10223A9	RING-RTNG 1	2
28	Z10438A0	S-BHCS 1/4-20X3/4 BLK	2
29	Z30012A2	ECC-BRK SHORT	2
30	Z50007A7	GRIP-HDL 1-1/8" BLK	2
31	Z10043A7	NUT-NYL NE 1/4-20	4
32	Z10231A9	RING-RTNG 1/4	4

PROPRIETARY AND CONFIDENTIAL

THE INFORMATION CONTAINED IN THIS DRAWING IS THE SOLE PROPERTY OF VALLEY CRAFT. ANY REPRODUCTION IN PART OR AS A WHOLE WITHOUT THE WRITTEN PERMISSION OF VALLEY CRAFT IS PROHIBITED.

UNLESS OTHERWISE SPECIFIED:

DECIMALS
2 PLACES ±0.01
3 PLACES ±0.005
ANGLE ±1°

GRIND/SAND SHARP EDGES .015 MAX
DOES NOT APPLY TO DRILLED HOLE DIA.



2001 South Hwy. 61, Lake City, MN 55041-9555, U.S.A.

TITLE: TRK-PAL/825SA-15

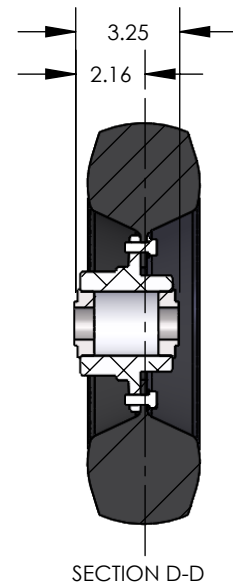
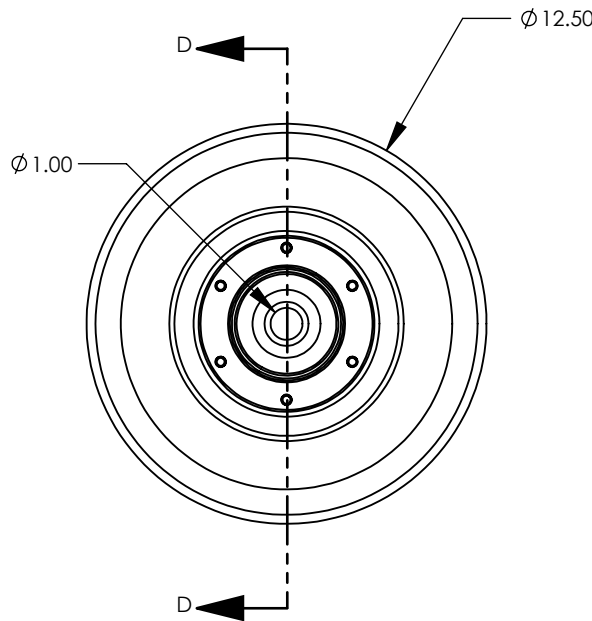
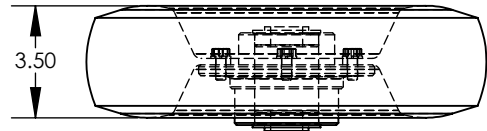
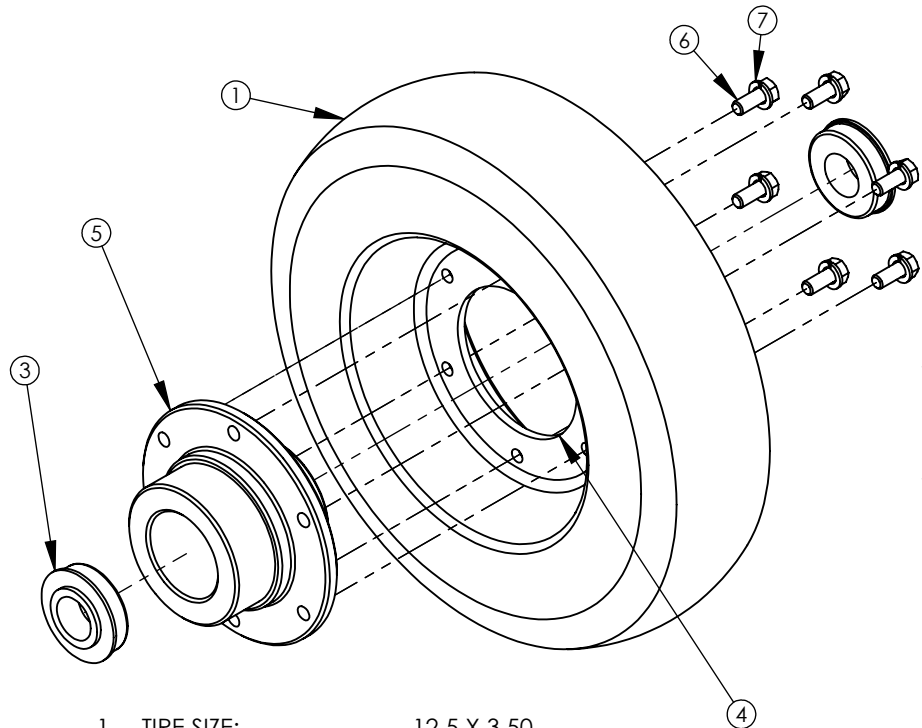
SIZE PART NO. F84879A7

B MATL: Material <not specified>

SCALE: 1:16 WEIGHT: 90.22 SHEET 2 OF 3

A	-	CREATED	DN	12/16/2019
CHG	E.C.O.	DESCRIPTION / WAS	BY	DATE

ALL ANGLE ARE 90°
UNLESS SPECIFIED



- 1. TIRE SIZE: 12.5 X 3.50
- 2. TREAD PATTERN: SAWTOOTH
- 3. WHEEL MATERIAL: RUBBER
- 4. LOAD CAP./WHEEL: 1535#
- 5. WEIGHT/WHEEL: 8#
- 6. OVERALL HUB WIDTH: 3.25
- 7. OFFSET CENTER OF
- 8. WHEEL TO END OF HUB: 2.16
- 9. HUB MATERIAL: ALUMINUM
- 10. BEARING TYPE: BALL
- 11. BORE OR AXLE SIZE: 1.00
- 12. HUB COLOR: SILVER
- 13. GREASE ZERK: NO
- 14. VENDOR: FASTENAL COMPANY

Item Number	Part Number	Description	Qty.
1	Z30007A9	TIRE-AIR 12	1
2	Z30008A8	TUBE-AIR 12	1
3	Z30002A4	BEARING-FLG 1/RPMT	2
4	Z30054A1/R70054	RIM-FEMALE AIR 12B -- CS use R70054 as RPMTS	1
5	Z30055A0/R70055	RIM-MALE AIR 12B -- CS use R70055 as RPMTS	1
6	Z10139A2	S-HHC 3/8-24X5/8	6
7	Z10214A0	WASHER-3/8 LOCK MD	6

PROPRIETARY AND CONFIDENTIAL
 THE INFORMATION CONTAINED IN THIS DRAWING IS THE SOLE PROPERTY OF VALLEY CRAFT. ANY REPRODUCTION IN PART OR AS A WHOLE WITHOUT THE WRITTEN PERMISSION OF VALLEY CRAFT IS PROHIBITED.

UNLESS OTHERWISE SPECIFIED:
 DECIMALS
 2 PLACES ±0.01
 3 PLACES ±0.005
 ANGLE ±1°
 GRIND/SAND SHARP EDGES .015 MAX
 DOES NOT APPLY TO DRILLED HOLE DIA.

2001 South Hwy. 61, Lake City, MN 55041-9555, U.S.A.

TITLE: WHL-12 AIR BRK	
SIZE: A	PART NO.: F60032A1
	MATL.:
SCALE: 1:6	WEIGHT:
	SHEET 3 OF 3

A			10/31/2009
CHG.	E.C.O.	DESCRIPTION / WAS	BY DATE

ALL ANGLES ARE 90° UNLESS SPECIFIED