

INDUSTRIAL HAND TRUCK
 FLAT FORK
 MATERIAL: STEEL
 CAPACITY: 800 LB
 WHEEL TYPE: NEVER FLAT
 HEIGHT: 52"
 WIDTH: 26"
 DEPTH: 25-3/4"
 SHOE LENGTH: 18"
 PRODUCT WEIGHT: 77 LBS

PROPRIETARY AND CONFIDENTIAL

THE INFORMATION CONTAINED IN THIS DRAWING IS THE SOLE PROPERTY OF VALLEY CRAFT. ANY REPRODUCTION IN PART OR AS A WHOLE WITHOUT THE WRITTEN PERMISSION OF VALLEY CRAFT IS PROHIBITED.

UNLESS OTHERWISE SPECIFIED:

DECIMALS
 2 PLACES ±0.01
 3 PLACES ±0.005
 ANGLE ±1°

GRIND/SAND SHARP EDGES .015 MAX DOES NOT APPLY TO DRILLED HOLE DIA.



TITLE: TRK-INDUSTRIAL/NF WHL/FLAT FORK

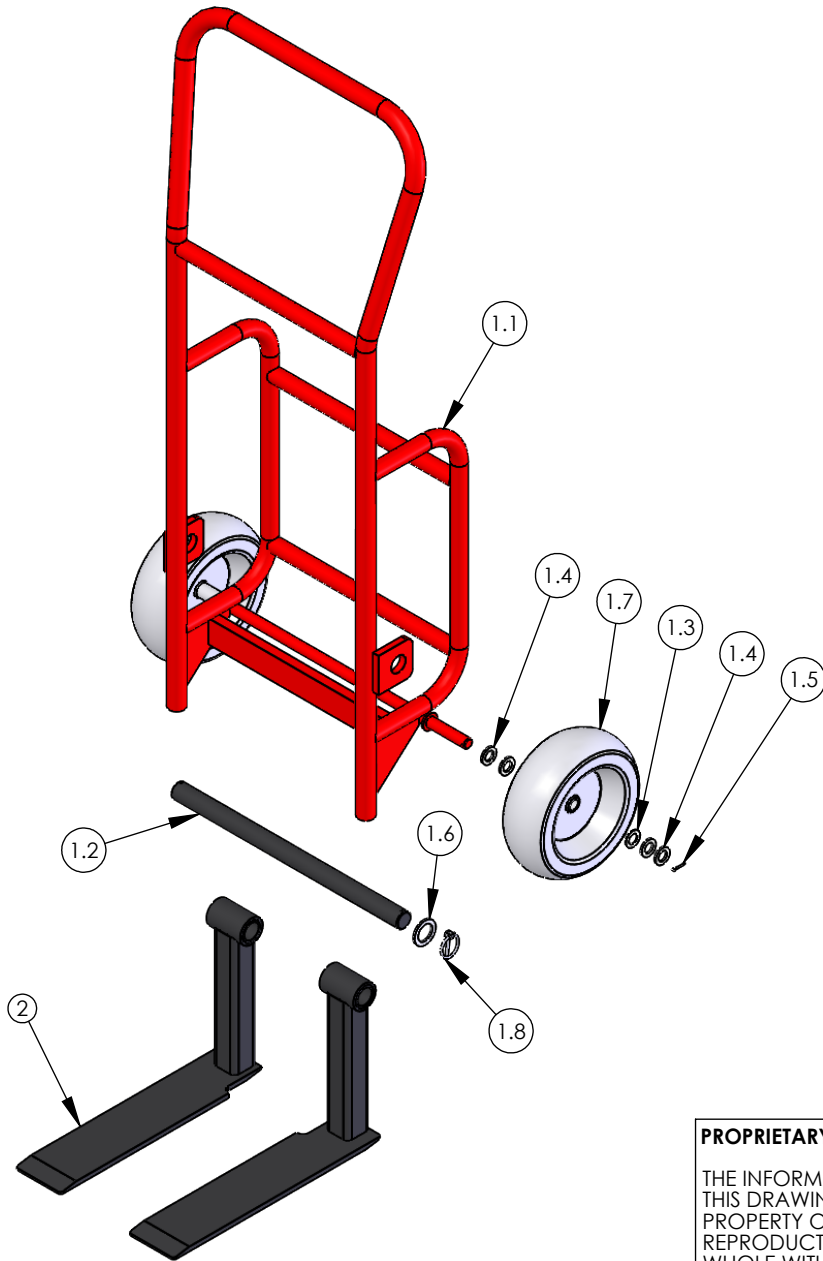
SIZE: A **PART NO.:** F85882A3FF

MATL: Material <not specified>

SCALE: 1:16 **WEIGHT:** 79.46 **SHEET 1 OF 3**

A	-	CREATED	DN	12/06/2019
CHG.	E.C.O.	DESCRIPTION / WAS	BY	DATE

ALL ANGLES ARE 90° UNLESS SPECIFIED



ITEM NO.	PART NUMBER	DESCRIPTION	QTY.
1	F85882A3	TRK-TRANS/ENG AIR W/O FORKS	1
1.1	F65676A9	WLDMT FRM/T-CART AIR	1
1.2	F57050A0	SHAFT/T-CART	1
1.3	Z10009A9	BUSH-MACH 3/4x14GAx1-1/4 OD	2
1.4	Z10010A6	BUSH-MACH 3/4x10GAx1-1/4 OD	8
1.5	Z10266A7	PIN-COTTER 1/8X1 PL	2
1.6	Z10592A2	BUSH-MACH 1-1/4X10GA ZP	2
1.7	Z30758A9	WHL-10 NEVER FLAT 3/4 BORE	2
1.8	Z30760A7	PIN-LYNCH 3/16 X 1-9/16	2
2	F85261A0	FLAT FORKS/T-CART	1

PROPRIETARY AND CONFIDENTIAL

THE INFORMATION CONTAINED IN THIS DRAWING IS THE SOLE PROPERTY OF VALLEY CRAFT. ANY REPRODUCTION IN PART OR AS A WHOLE WITHOUT THE WRITTEN PERMISSION OF VALLEY CRAFT IS PROHIBITED.

UNLESS OTHERWISE SPECIFIED:

DECIMALS
2 PLACES ± 0.01
3 PLACES ± 0.005
ANGLE $\pm 1^\circ$

**GRIND/SAND SHARP EDGES .015 MAX
DOES NOT APPLY TO DRILLED HOLE DIA.**



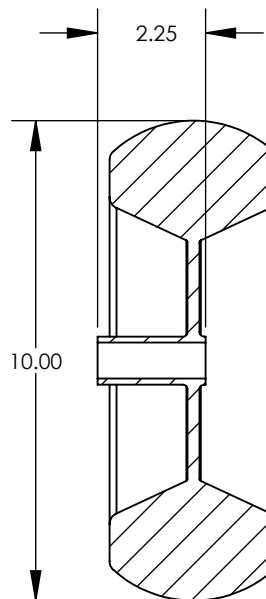
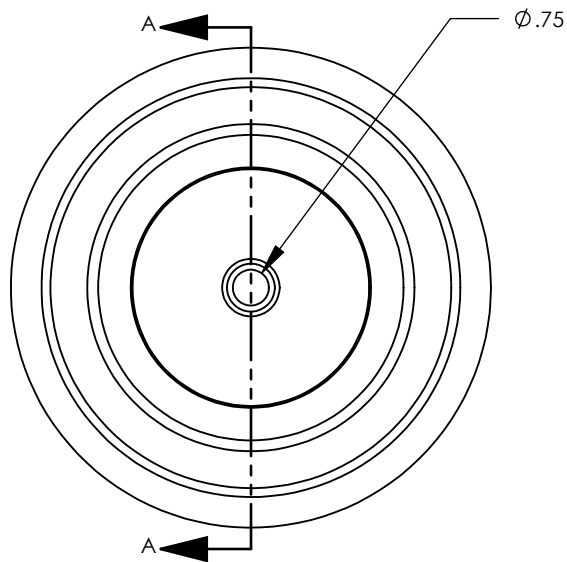
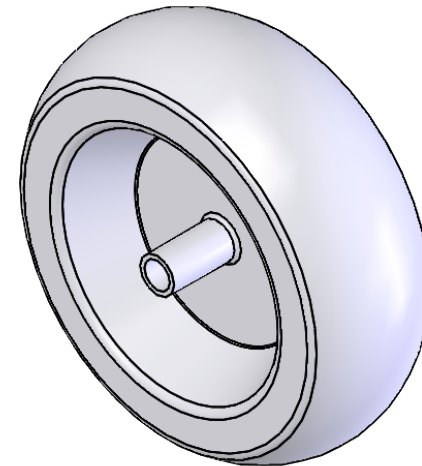
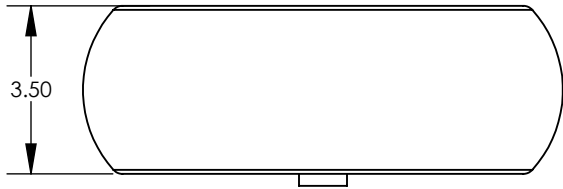
TITLE: TRK-INDUSTRIAL/NF WHL/FLAT FORK

	NAME	DATE
DRAWN	DN	12/06/2019
CHECKED		
ENG APPR.		

SIZE	PART NO.
A	F85882A3FF
	MATL: Material <not specified>
SCALE: 1:24	WEIGHT: 79.46 SHEET 2 OF 3

CHG.	E.C.O.	DESCRIPTION / WAS	BY	DATE
A	-	CREATED	DN	12/06/2019

**ALL ANGLES ARE 90°
UNLESS SPECIFIED**



1. TIRE SIZE: (3.5/4.10-4)
2. TREAD PATTERN: SAWTOOTH
3. WHEEL MATERIAL: SOLID URETHANE
4. LOAD CAP./WHEEL: 400 LBS
5. WEIGHT/WHEEL: 4.75 LBS
6. OVERALL HUB WIDTH: 2.25
7. OFFSET CENTER OF WHEEL TO END OF HUB: 2
8. HUB MATERIAL: STEEL
9. BEARING TYPE: BALL
10. BORE OR AXLE SIZE: 3/4
11. HUB COLOR: SILVER
12. GREASE ZERK: NO
13. VENDOR: CASSIDY INDUSTRIAL SALES #NF1062710T-3/4

REPLACEMENT BEARING Z30023A9

PROPRIETARY AND CONFIDENTIAL

THE INFORMATION CONTAINED IN THIS DRAWING IS THE SOLE PROPERTY OF VALLEY CRAFT. ANY REPRODUCTION IN PART OR AS A WHOLE WITHOUT THE WRITTEN PERMISSION OF VALLEY CRAFT IS PROHIBITED.

UNLESS OTHERWISE SPECIFIED:

DECIMALS
2 PLACES ±0.01
3 PLACES ±0.005
ANGLE ±1°

GRIND/SAND SHARP EDGES .015 MAX DOES NOT APPLY TO DRILLED HOLE DIA.



TITLE: WHL-10 NEVER FLAT 3/4 BORE

		NAME	DATE	SIZE	PART NO.
DRAWN	S			A	Z30758A9
CHECKED					MATL: SOLID URETHANE & STEEL
ENG APPR.				SCALE: 1:4	WEIGHT: 4.75 LBS

CHG.	E.C.O.	DESCRIPTION / WAS	BY	DATE
A				

ALL ANGLES ARE 90° UNLESS SPECIFIED