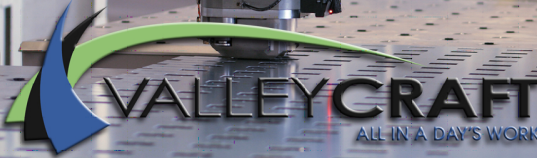
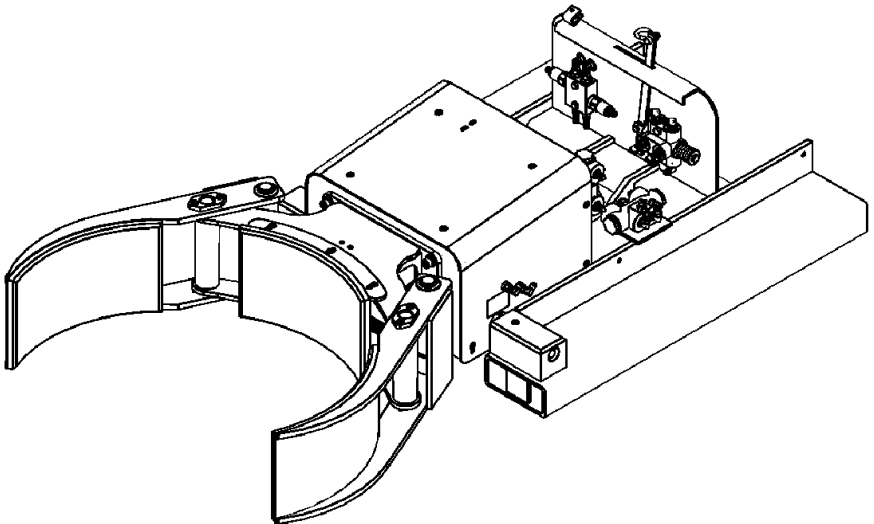


SOLUTIONS TO SIMPLIFY YOUR WORKLOAD

Material Handling, Storage & Specialized Equipment



## VERSA II-2K# STD LT F89700



## **Notice to Purchaser**

All statements, technical information, and recommendations related to Valley Craft's products are based on information believed to be reliable, but the accuracy or completeness is not guaranteed. Before using this product, you must determine if it is suitable for your intended application or situation. You assume all risks and liability associated with such use or implementation.

## **Product Testing**

We perform vigorous in-house safety and durability testing to ensure that the performance of our products meets the demands of the workplace. We also expect the same from manufacturers who supply components for our products. We do this to ensure that Valley Craft is a name that our customers trust and associate with quality.

## **Publication Revision Notice**

Following is a history of changes to this publication, including the current revision.

Last Updated: 02/12

## **Copyright Notice**

© Valley Craft, Inc. All rights reserved. No part of this publication may be reproduced, photocopied, stored on a retrieval system, or transmitted without the express written consent of Valley Craft.

## **Trademarks**

The Valley Craft logo is a Valley Craft Trademark. All other company or product names are trademarks or registered trademarks of their respective owners. Use of a term in this document should not be regarded as affecting the validity of any trademark or service mark.

**■ Table of Contents**

---

<b>Safety .....</b>	<b>4-6</b>
Safety Overview .....	4
Safety Message Conventions .....	5
Material Safety Data .....	6
<b>Product Description .....</b>	<b>7</b>
Specifications .....	7
Features .....	7
<b>Unpacking and Assembly .....</b>	<b>8</b>
Receiving and Inspection .....	8
<b>Operation .....</b>	<b>9-10</b>
Operating Procedure Pressure Relief Adjustment .....	9
Operating Procedure Safety .....	10
<b>Maintenance and Adjustments .....</b>	<b>11</b>
Maintenance and Adjustment Procedures .....	11
<b>Troubleshooting .....</b>	<b>12</b>
Trouble Shooting Procedures .....	12
<b>Replacement .....</b>	<b>13</b>
Replacement Procedures .....	13
<b>Parts List .....</b>	<b>14-17</b>
Exploded View & BOM Jaw Assy .....	14
Exploded View & BOM Front Section .....	15
Exploded View Final Assy .....	16
Bom Final Assy .....	17
<b>Equipment Drawings .....</b>	<b>18-19</b>
Hydraulic Schematic .....	18
Lost Load Info .....	19

## Safety

*Read and understand all safety information and become familiar with all safety symbols contained in this section before moving, operating or performing maintenance on this equipment.*

### ■ Safety Overview

The following general safety precautions must be observed during all phases of operation, service, and repair of this equipment. Failure to comply with these precautions or with specific safety messages elsewhere in this manual may impair the protection provided by the equipment. Such noncompliance would also violate safety standards of design, manufacture, and intended use of the instrument.

- Observe all safety signs posted in your facility.
- Observe warnings, cautions, handling information, storage requirements and other information on all container labels.
- Wear safety glasses with side shields.
- Wear the proper protective clothing, gloves and other protective equipment before handling any chemicals.
- Group the containers for the move by Hazard Class. Do not move acids with toxics, or oxidizers.
- Use maximum care and good judgment in preventing accidents and injuries and seeking first aid.
- Report unsafe conditions, equipment, practices, and on-job injuries.
- Understand your supervisor's instructions. Ask questions if you do not know how to do the job safely.
- Do not engage in tasks which you believe might be unsafe without consulting your supervisor.
- Clean up the work area and equipment upon job completion.
- Before you start work on any electrical system or circuit, check all power sources to ensure that the system or circuit is de-energized.
- Know the hazardous or potentially hazardous substances you work with or are present in your work area. Review Material Safety Data Sheets (MSDS) on these substances, or contact your supervisor.
- Please review more detailed safety information on page 13.

## ■ Safety Message Conventions

Three types of safety notices may be contained in this manual: **Danger**, **Warning** and **Caution** notices. These notices precede the procedural step or portion of text that presents the safety hazard.



### **DANGER**

---

- **DANGER** indicates an imminently hazardous situation which, if not avoided, will result in death or serious injury. This signal word is to be limited to the most extreme situations.
- 



### **WARNING**

---

- **WARNING** indicates a potentially hazardous situation which, if not avoided, could result in death or serious injury.
- 



### **CAUTION**

---

- **CAUTION** indicates a potentially hazardous situation which, if not avoided, may result in minor or moderate injury. It may also be used to alert against unsafe practices
-

### ■ Material Safety Data Sheets (MSDS)

A Material Safety Data Sheet (MSDS) provides information on the safe use, handling and potential hazards of a product. This information assists with the proper response in the event of an emergency.

Valley Craft maintains material safety data sheets (MSDSs) on all our products. You are urged to obtain copies of the relevant MSDSs before using our products to protect yourself and others against any known health or safety hazards described in these MSDSs. Valley Craft strives to make safety a top priority. Do not hesitate to contact us to discuss any safety aspects of our products.

**The relevant MSDS codes for Valley Craft products are listed below.**

- [www.conocophillips.com](http://www.conocophillips.com)  
Super ATF Transmission Oil, MSDS Code 778846  
Super-Sta Grease, MSDS Code 775440
- [www.batteriesplus.com](http://www.batteriesplus.com)  
Sealed Lead Acid Battery  
SLA for English version  
SLA Sp for the Spanish version
- [Paint](#)  
Contact Valley Craft Customer Service at 1-800-328-1480 or on the Web at [customer@valleycraft.com](mailto:customer@valleycraft.com)

### ■ Additional Safety Information

As with any mechanical device, care must be taken during the installation, operation, and maintenance of the device in order to realize the maximum benefit from its ownership.

**Note:** All personnel involved in the use and maintenance of this device should be thoroughly familiar with the information contained in this manual. Furthermore, it is recommended that all personnel be given adequate instruction and a sufficient period of training in its actual use to insure safety of personnel and proper care of the equipment. It is suggested that the units be initially operated empty until becoming familiar with operation of this unit.

## Product Description

The Versa II is a lift truck-powered lift truck attachment which allows the operator to manipulate drums from most lift trucks without any additional equipment. It offers ability to clamp and forward dump most sizes and types of drums.

## ■ Specifications

The Versa II specifications are shown in Table 1.

*Table 1. Specifications*

<b>Dimensions</b>	<b>34"Wx66"Lx16"H</b>
<b>Weight</b>	<b>625 lbs</b>
<b>Load Capacity</b>	<b>2000 lbs</b>

## ■ Features

The Versa II offers state-of-the-art design with many advanced features.

- Pressure reducing valve to control clamp pressure
- Clamping system that clamps steel, fiber, and plastic drums
- 115° forward dumping
- Rope controlled selector valve

## ■ Receiving and Inspecting

When unpacking the Versa II, inspect the equipment for damage or mishandling. If damage is noted, file a damage claim with the carrier within 24 hours and call Valley Craft at 1-800-328-1480. Do not attempt to use the equipment.

Compare the contents of the shipment with the bill of lading. Report any missing items to the carrier and to Valley Craft immediately.

## ■ Operating Procedures

Only authorized personnel are permitted to use the Versa II. Every load and every situation is different. Every load must be evaluated and planned. Observe the following procedures when using this equipment.

All personnel should be given adequate instruction and a sufficient period of training in actual use of the attachment to insure safety and proper care. The Versa II is intended for use with sealed containers.

1. Insert forks of lift truck into fork tube of drum grip.
2. Attach safety chain to clevis on rear of frame and wrap chain around forklift carriage and clip the safety hook.
3. Attach hydraulic quick couplers on 48" long hoses to those on lift truck auxiliary control valve. (shown in Figure 1)
4. Run selector valve rope to operator. (shown in Figure 2)
5. Advance lift truck until jaws of drum grip center around the drum.
6. Grip drum in center at all times.
7. Activate clamping pressure by pulling on the rope and operating auxiliary control valve on the lift truck at same time. When drum is sufficiently gripped, release valve and rope.
8. Proceed to location where drum is to be dumped. Operating the auxiliary control valve will dump the drum forward.
9. To release the drum, pull on rope and operate auxiliary control valve at same time, raise drum grip slightly and back away from drum.
10. If drum grip needs to be removed from forklift, set unit down, remove safety chain from around carriage, unhook hydraulic quick couplers, and back away from the drum grip.



Figure 1

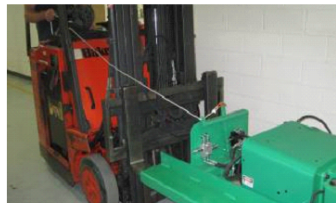
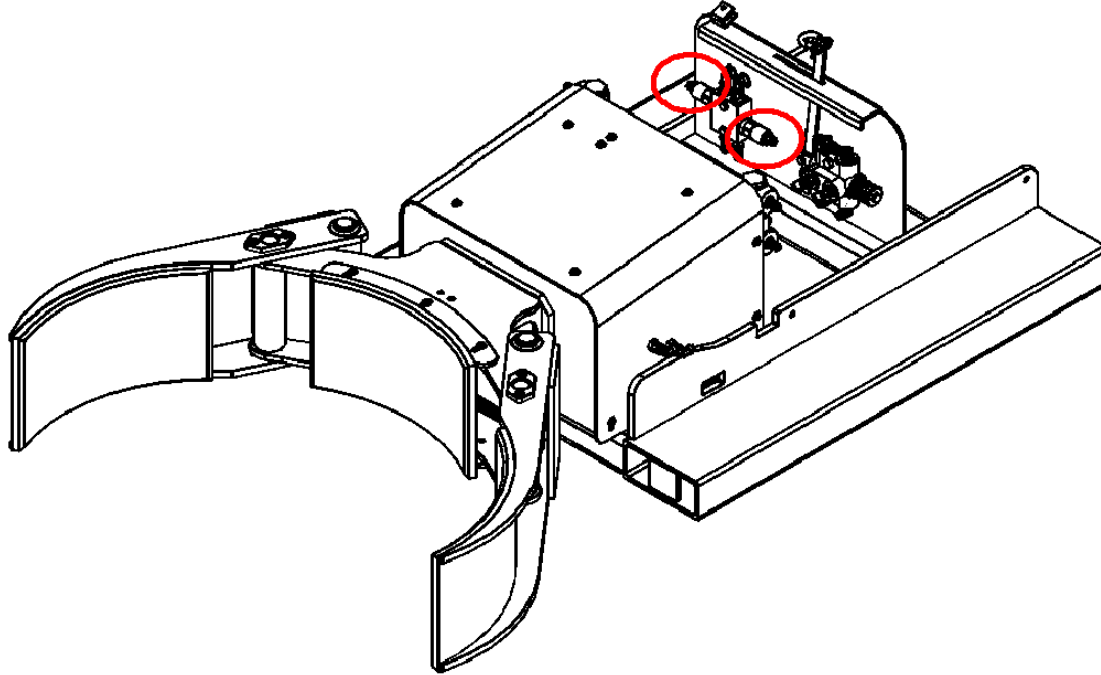


Figure 2



# INST/DG VERSA II L/T

## ■ Operating Procedures for Pressure Relief Adjustment for Clamp Function



### Adjusting Pressure Relief

The pressure relief valve is found on the valve pan. Once the valve has been located adjustments can be made by loosening the jam nut. Adjusting the valve CW (clock wise) increase pressure while adjusting the valve CCW (counter clock wise) decrease the pressure. Each fork truck comes with different system pressure and this valve allows for adjustment.

Each load requires different pressure setting dependant on the items listed below

1. Barrel Material (steel, plastic, fiber)
2. Weight of barrel
3. Rigidity of barrel (open or closed)

Valley Craft has done testing on different loads and offer some guidelines below.

Barrel Material	Weight of barrel	Rigidity of barrel	Pressure Setting PSI
Steel	2000	Closed	1400
Plastic	800	Closed	1000
Fiber	500	Closed	1000

The Maxi II comes standard with the clamp pressure set at 1200 psi, each end user should verify this is the correct setting for their load.

### Troubleshooting

Problem	Possible Causes
Drum Slipping	Pressure to low Drum not against back jaw saddle when clamping
Drum Crushing	Pressure to high

## Safety

*Read and understand all safety information and become familiar with all safety symbols contained in this section before moving, operating or performing maintenance on this equipment.*



### **CAUTION**

- It is recommended that all operators practice operation of the Versa II and its controls with an empty drum before using it on full drums to familiarize themselves with the machine and to develop safe working habits.
- Too much pressure applied to the drum will cause crushing.
- Never activate the clamping function while the forklift is in motion.
- When dumping drums, rotate slowly, watching for drum distortion as contents are dumped. The dumping capacity is limited by the strength of the container being dumped (an open top drum must be capable of retaining its original cylindrical shape). A distorted drum may fall out of the grip.
- Maximum lifting capacity is 2000 lbs. Actual capacity may be limited by the size of the lift truck. Always follow lift truck manufacturer's specifications.

## Maintenance and Adjustments

### ■ Maintenance and Adjustment Procedures

To keep the Versa II operating properly, timely maintenance and adjustments are required. These procedures should be performed only by qualified personnel who are familiar with the equipment.

#### **Important:**

- Always disconnect quick couplers from the fork truck before beginning an inspection or repair.

#### **Before each use:**

1. Inspect safety chain and verify it is in good condition. Replace if necessary.
2. Inspect attachment for sharp edges or burrs.
3. Inspect hydraulic hoses for any leaks or punctures.

#### **Every 6 months:**

1. Inspect and grease pivot points.
2. Inspect all fasteners and tighten if necessary.

## Troubleshooting

### ■ Troubleshooting Procedures

The Versa II is a quality product that is designed and manufactured to provide prolonged service under normal operating conditions. If troubleshooting is required, it should be performed only by qualified personnel who are familiar with the equipment.

<b>Problem</b>	<b>Possible Cause</b>	<b>Solution</b>
Difficult to attach quick couplers to auxiliary valve	Built up pressure	Shut off forklift and work auxiliary valve back and forth a few times to release pressure
Unit is crushing drums	Too much pressure applied	Grip drum just to the point that the drum starts to distort.  Adjust pressure valve on fork attachment
Cylinder leaking	Worn/old o-rings	Replace seals in cylinder

## Replacement

### ■ Replacement Procedures

Occasionally, it will be necessary to replace a part that has been Damaged or worn. Many parts on this Versa II are replaceable. If Replacement of a part is required, it should be performed only by Qualified personnel who are familiar with the equipment.

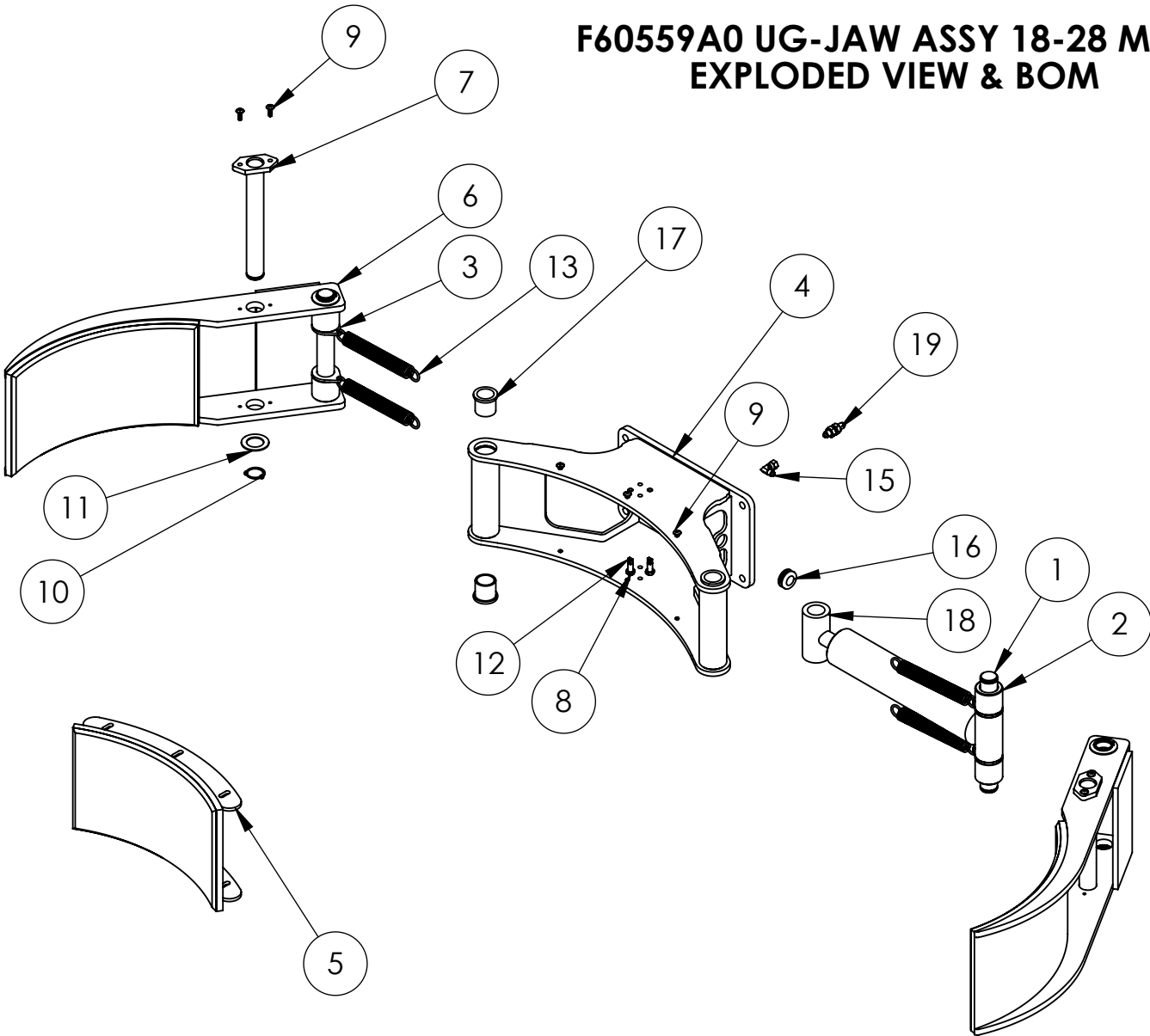
See page 14 for available replacement parts. Identify the part number you need. Contact Valley Craft Customer Service at 1-800-328-1480 or on the Web at [customer@valleycraft.com](mailto:customer@valleycraft.com).

Information required when contacting Valley Craft:

- A. Company name and address
- B. Contact persons name
- C. Telephone number
- D. E-Mail address
- E. Model Number
- F. Date of manufacture
- G. Part number(s) of part(s) to be ordered

The model number and date of manufacture is stamped on a metal tag located on the control box.

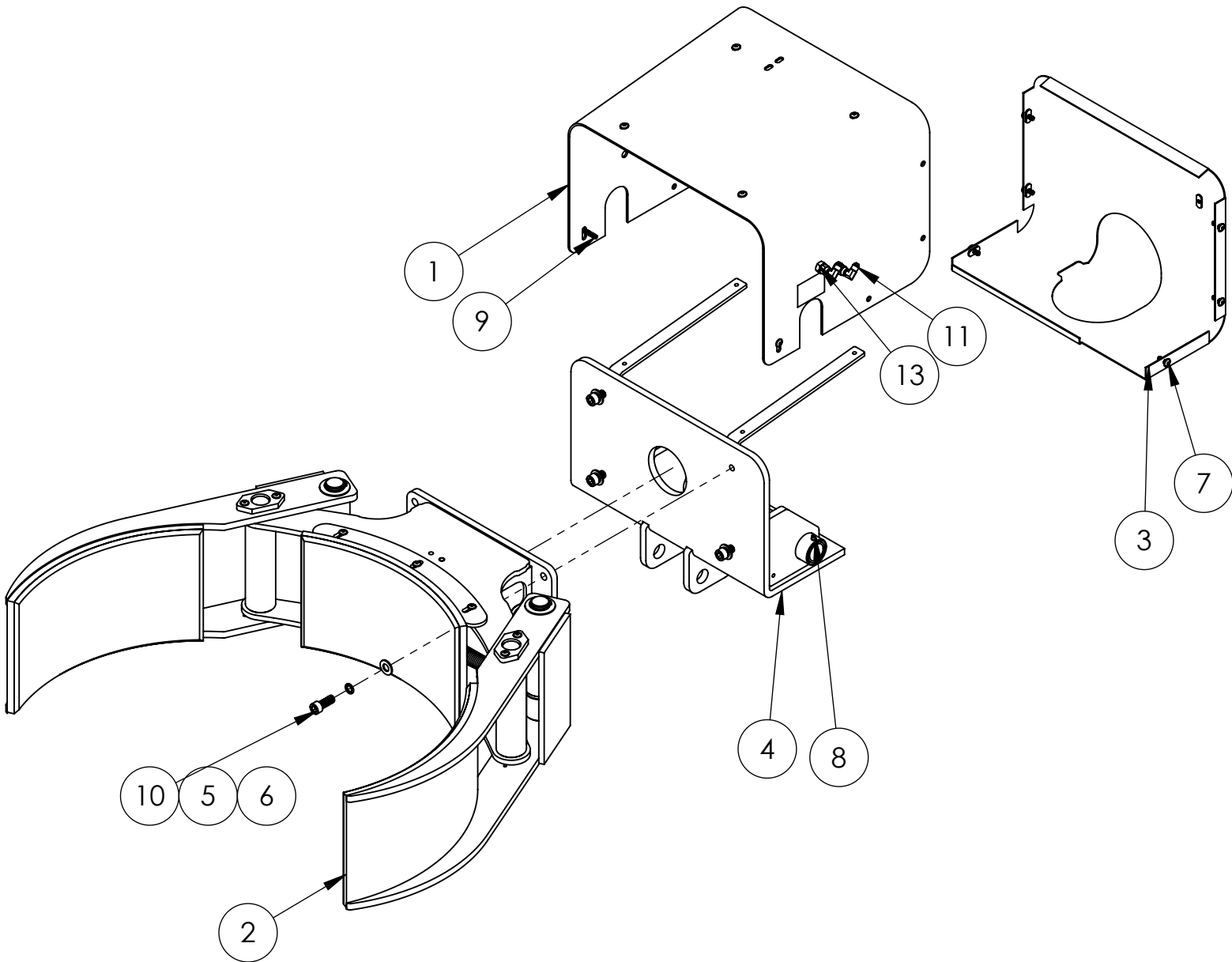
**F60559A0 UG-JAW ASSY 18-28 MAXI  
EXPLODED VIEW & BOM**



ITEM NO.	PART NUMBER	DESCRIPTION	EXP VIEW/QTY.
1	F50401	CYL PIN 1.25 UG3 FRT SECT	2
2	F50435	RD-2.00/UG3 JAW ASSY CYL SPCR	4
3	F50438	SHT-.19/UG3 JAW ASSY SPRG CLIP	4
4	F60560A1	ARM WLDMT MAXI II	1
5	F68824A2	UG-JAW-SADDLE WLDMT-15-30	1
6	F68825A3	UG-JAW-WLDMT-18-28	2
7	F68832A0	UG-JAW-PIN WLDMT-20-35	2
8	Z10026A8	NUT-HEX JAM 3/8-16ZP	4
9	Z10438A0	S-BHCS 1/4-20X3/4 BLK	10
10	Z10534A4	RING-RING 1-1/4	6
11	Z10592A2	BUSH-MACH 1-1/4x10GA	6
12	Z11484A3	CONNECTOR 3/8-16 SPRING	4
13	Z11485A2	SPRING-EXTENSION 1.00X.14X8.00	4
14	Z20616A6	FIG 90 6801-4-4 NWO	2
15	Z20704A0	FIG 90 6500-4-4 SWL	2
16	Z20813A0	GROMMET-.75IDX1.06HOLEX.25TH	2
17	Z20830A3	BRG-BRZ-FLG 1.25X1.50X1.50	4
18	Z20845A8	CYL ASSY-UG3 CLAMP 1.13ROD	1
19	Z84897A3	FIG STR 2700-4-4-LN	2

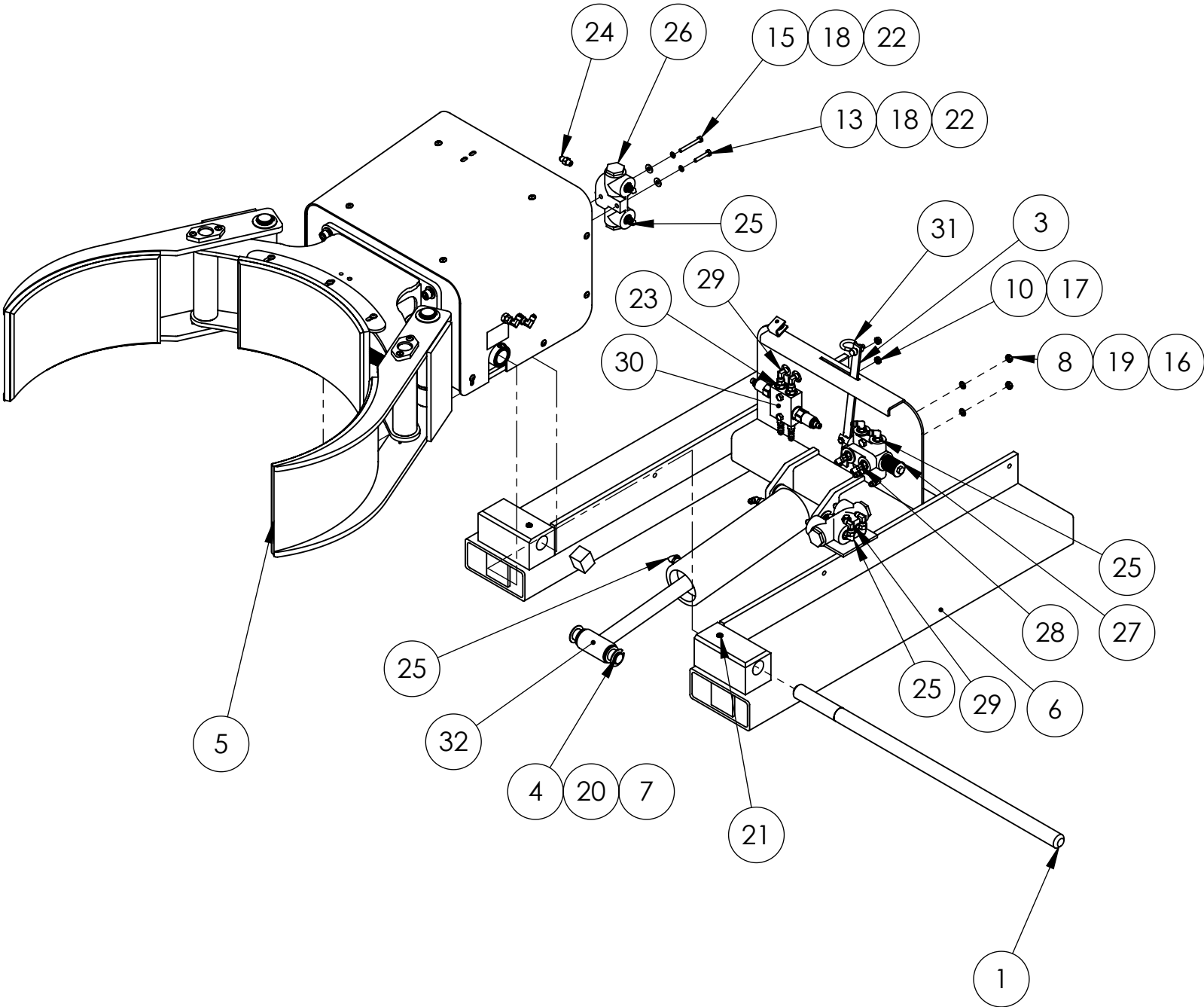
INST/DG VERSA II L/T

**F60568A9 VERSA II-CLAMP/TILT ASSY  
EXPLODED VIEW & BOM**



ITEM NO.	PART NUMBER	DESCRIPTION	QTY.
1	F50377	UG-RTB-SIDE HOOD	1
2	F60559A0	UG-JAW ASSY 18-28 MAXI	1
3	F60570A1	VERSA II-RTB-REAR SHEILD WLDMT	1
4	F60571A2	VERSA II-TILT-ASSY	1
5	Z10216A8	WASHER-1/2 LOCK MD	4
6	Z10331A8	WASHER-1/2 FLAT SAE	4
7	Z10438A0	S-BHCS 1/4-20X3/4 BLK	10
8	Z10627A7	ZERK-GREASE .188 DRIVE	2
9	Z11550A9	S-BHCS 1/4-20X1-1/4 BLACK	2
10	Z11555A0	S-SHC 1/2-13X1-1/4	4
11	Z20704A0	FTG 90 6500-4-4 SWL	2
12	Z41645A5	DECAL-DANGER KEEP HANDS AWAY	2
13	Z84897A3	FTG STR 2700-4-4-LN	2

F89700 VERSA II-2K# STD LT  
EXPLODED VIEW





INST/DG VERSA II L/T

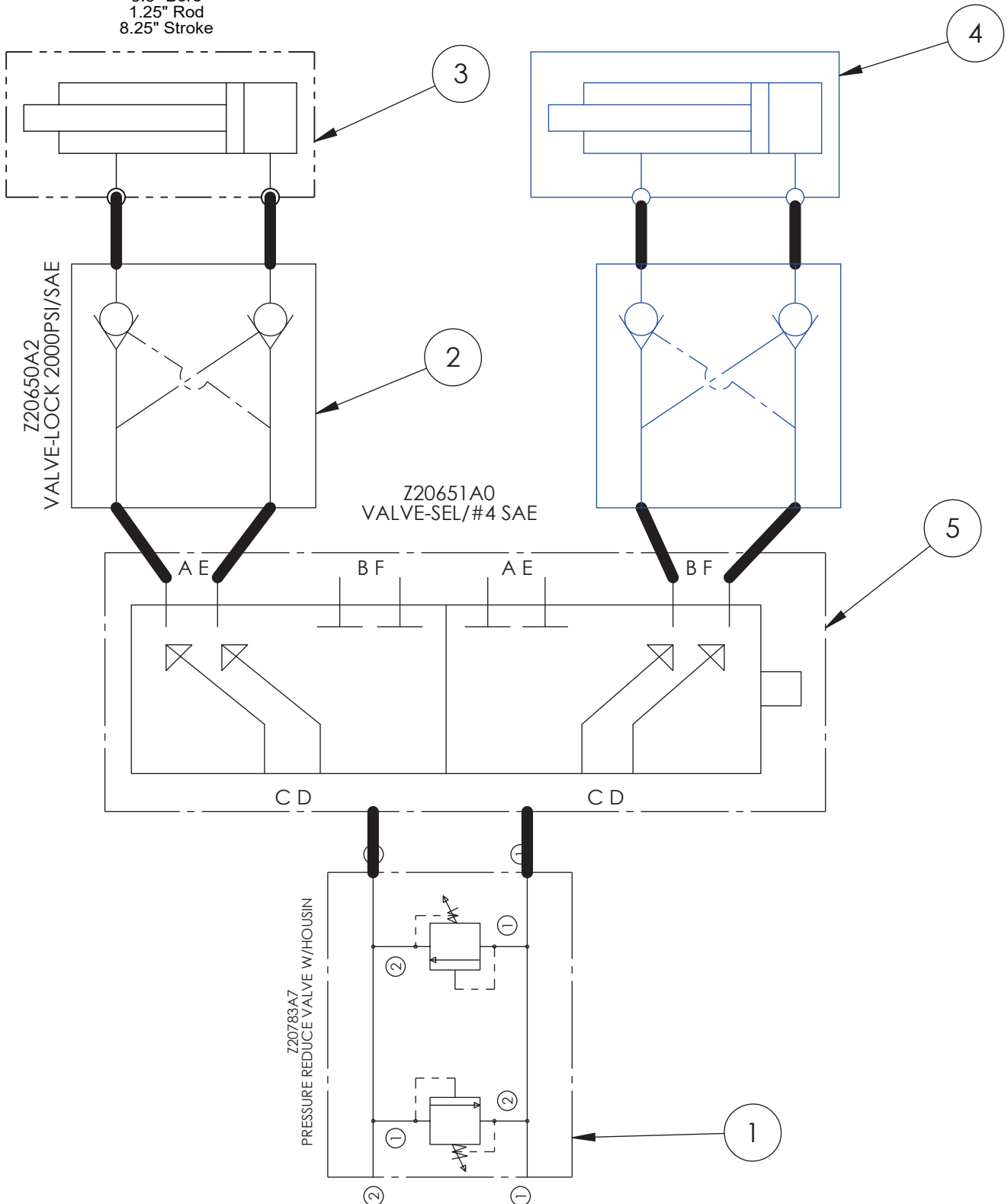
**F89700 VERSA II-2K# STD LT**  
**Bill of Materials**

ITEM NO.	PART NUMBER	DESCRIPTION	QTY.
1	F50383	UG-RTB-AXLE	1
2	F50447	PIN-CLEVIS/TILT CASE	1
3	F52347A8	TRIP-ARM/300DG	1
4	F52687A6	PIN-CLEVIS/TILT CASE (KANBAN)	1
5	F60568A9	VERSA II-CLAMP/TILT ASSY	1
6	F60569A0	VERSA LT-FRAME-WELDMENT	1
7	Z10013A3	BUSH-MACH 1x10Gax1-1/2 OD	6
8	Z10026A8	NUT-HEX JAM 3/8-16ZP	2
9	Z10035A7	NUT-HEX KEPS 1/4-20	2
10	Z10036A6	NUT-HEX KEPS 5/16-18	2
11	Z10043A7	NUT-NYL NE 1/4-20	1
12	Z10112A3	S-HHC 1/4-20X1	1
13	Z10114A1	S-HHC 1/4-20X1-1/2	2
14	Z10115A0	S-HHC 1/4-20X1-1/2 FULL THD	1
15	Z10117A8	S-HHC 1/4-20X2-1/4	2
16	Z10136A5	S-HHC 3/8-16X2-1/4	2
17	Z10158A8	S-HHC 5/16-18X2 HT	2
18	Z10212A2	WASHER-1/4 LOCK MD	4
19	Z10214A0	WASHER-3/8 LOCK MD	2
20	Z10223A9	RING-RING 1	4
21	Z10392A4	S-SHS 1/2-20X1/2	2
22	Z10602A2	WASHER-1/4 FLAT SAE	4
23	Z20597A5	FIG STR 6400-4-6-O	4
24	Z20615A7	FIG STR 6400-4-4-O	4
25	Z20616A6	FIG 90 6801-4-4 NWO	10
26	Z20650A2	VALVE-LOCK 2000PSI/SAE	2
27	Z20651A0	VALVE-SEL/#4 SAE	1
28	Z20675A9	FIG 45 6802-4-4 NWO	2
29	Z20704A0	FIG 90 6500-4-4 SWL	6
30	Z20783A7	PRESSURE REDUCE VALVE W/HOUSIN	1
31	Z30180A8	CLEVIS-1/4/1546	1
32	Z84912A8	CYL 3.5 X 1-1/4 X 8.25	1

# VERSA II-2K# LT, CLAMP & TILT

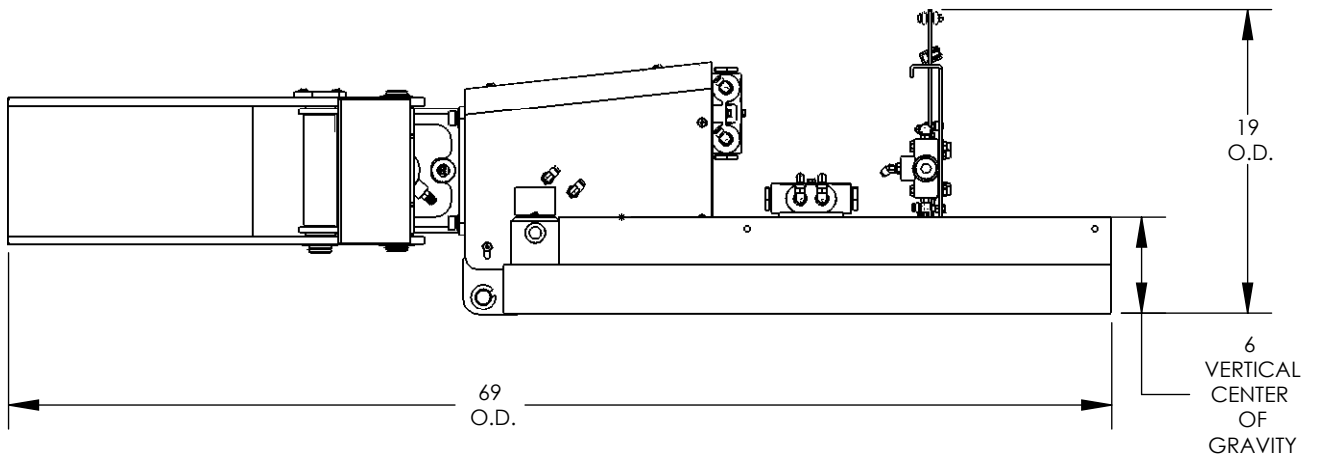
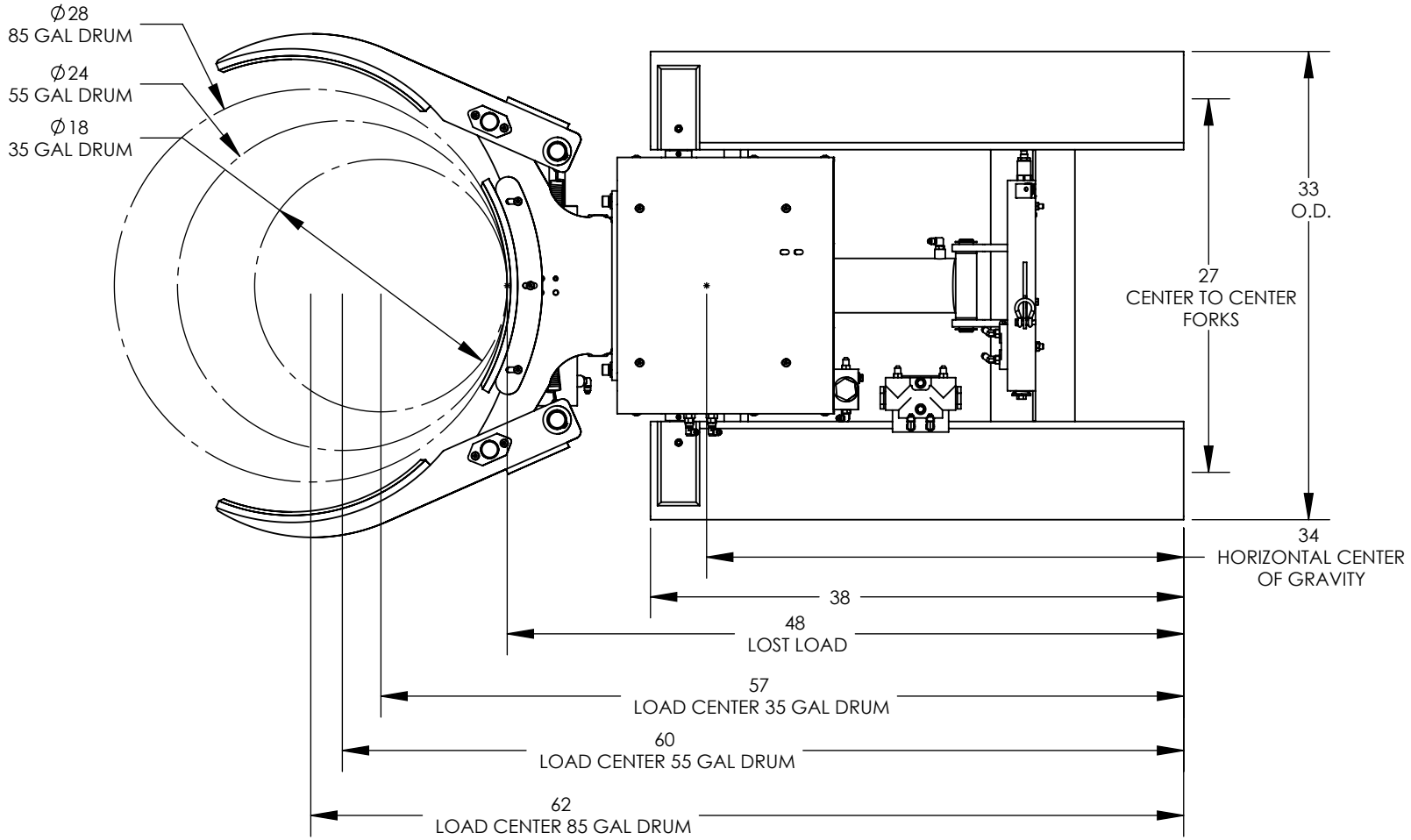
## HYDRAULIC SCHEMATIC

Z84912A8 CYL 3.5X1-1/4X8.25  
 3.5" Bore  
 1.25" Rod  
 8.25" Stroke



ITEM	PART NO.	DESCRIPTION	QTY
1	Z20783A7	PRESSURE REDUCE VALVE W/HOUSIN	1
2	Z20650A2	VALVE-LOCK 2000PSI/SAE	2
3	Z20845A8	CYL ASSY-UG3 CLAMP 1.13 ROD	1
3A	783-104	KIT-SEAL 2.5" SCREW IN GLAND	1
3B	783-119	KIT-SEAL 2.5" PISTON	1
4	Z84912A8	CYL 3.5X1.25X8.25	1
4A	R8491201	KIT-SEAL 3.5" TILT	1
5	Z20651A0	VALVE-SEL/#4 SAE	1

# INST/DG VERSA II L/T



NOTES:

△ A : LOAD CAPACITY 2000LBS

△ B : WEIGHT 625

△ C : CONTACT LIFT TRUCK MANUFACTURER FOR DOWNRATED CAPACITY

## Warranty and Limitation of Liability

Valley Craft products are warranted for a period of one (1) year from date of shipment from Valley Craft's plant to be free from defects in material and workmanship under correct use, normal operation and proper application. However, parts of other than Valley Craft manufacture are subject ONLY to the original manufacturer's warranty. Valley Craft's obligation under warranty shall be limited to repair or exchange, at Valley Craft's option, FOB origin factory, of any Valley Craft product or part which proves to be defective as provided herein. Valley Craft reserves the right to either inspect the product at Buyer's location, or require it to be returned to the factory for inspection. The warranty contained herein does not extend to goods damaged, or subject to accident, abuse or misuse after shipment from Valley Craft's factory, nor to goods altered or repaired by anyone other than an authorized Valley Craft representative.

Buyer or user shall not alter, modify or use a Valley Craft product for anything other than its intended function. Valley Craft shall not in any way be responsible for the consequences of any such alteration, modification or misuse.

VALLEY CRAFT MAKES NO EXPRESS WARRANTIES OTHER THAN THOSE WHICH ARE SPECIFICALLY DESCRIBED HEREIN. Any description of the goods sold hereunder, including any references to Buyer's specifications and any descriptions in catalogs, circulars and other written material published by Valley Craft, is for the sole purpose of identifying such goods and shall not create an express warranty that the goods shall conform to such descriptions.

THIS WARRANTY IS EXPRESSLY IN LIEU OF ALL OTHER WARRANTIES, EXPRESS OR IMPLIED. THERE ARE NO IMPLIED WARRANTIES OF MERCHANTABILITY OR FITNESS FOR A PARTICULAR PURPOSE. THIS WARRANTY STATES VALLEY CRAFT'S ENTIRE AND EXCLUSIVE LIABILITY AND BUYER'S EXCLUSIVE REMEDY FOR ANY CLAIM OR DAMAGES IN CONNECTION WITH VALLEY CRAFT PRODUCTS, THEIR DESIGN. SUITABILITY FOR USE, INSTALLATION OR OPERATION OR FOR ANY CLAIMED DEFECTS. VALLEY CRAFT WILL IN NO EVENT BE LIABLE FOR INCIDENTAL OR CONSEQUENTIAL DAMAGES WHATSOEVER, NOR FOR ANY SUM IN EXCESS OF THE PRICE RECEIVED FOR THE GOODS FOR WHICH LIABILITY IS CLAIMED.

## Technical Assistance/Warranty Procedure

### What's Covered:

- Parts and Labor to correct manufacturer's defect within one year of purchase.
- Freight Cost

### What's Not:

- Normal wear items (seal kits, bearings, tires, etc.)

### What Voids the Warranty:

- Dirt/Grime that directly causes malfunction of product
- Abuse (i.e. Overloading, damaged, not properly maintained, etc.)
- Product altered by customer

\*See "Items not Under Warranty" below for items that have the warranty voided.

### Items Under Warranty (less than one year old):

- Warranty replacement parts are provided only when the problem can be identified with near certainty. If not, the customer will return item to Valley Craft, freight collect, for troubleshooting and/or repair. When repaired, product will be returned to customer,



Valley Craft is a modern metals fabricating manufacturer specializing in material handling, storage and specialized solutions designed with safety and usability in mind, and the simplification of even the heaviest of workloads. Since developing the first hand truck with a brake in 1952, Valley Craft has been a true pioneer in safety-conscious material handling and solution-driven products. Our commitment to continuous improvement in a Lean Manufacturing environment results in safe, functional, quality equipment at affordable prices.

---

**Valley Craft, Inc.**

2001 South Highway 61  
Lake City, Minnesota 55041 U.S.A.

---

Phone: (651) 345-3386

Toll Free: (800) 328-1480

Fax: (651) 345-3606

E-Mail: [customer@valleycraft.com](mailto:customer@valleycraft.com)

Web: [valleycraft.com](http://valleycraft.com) • [ovation-solutions.com](http://ovation-solutions.com)

---