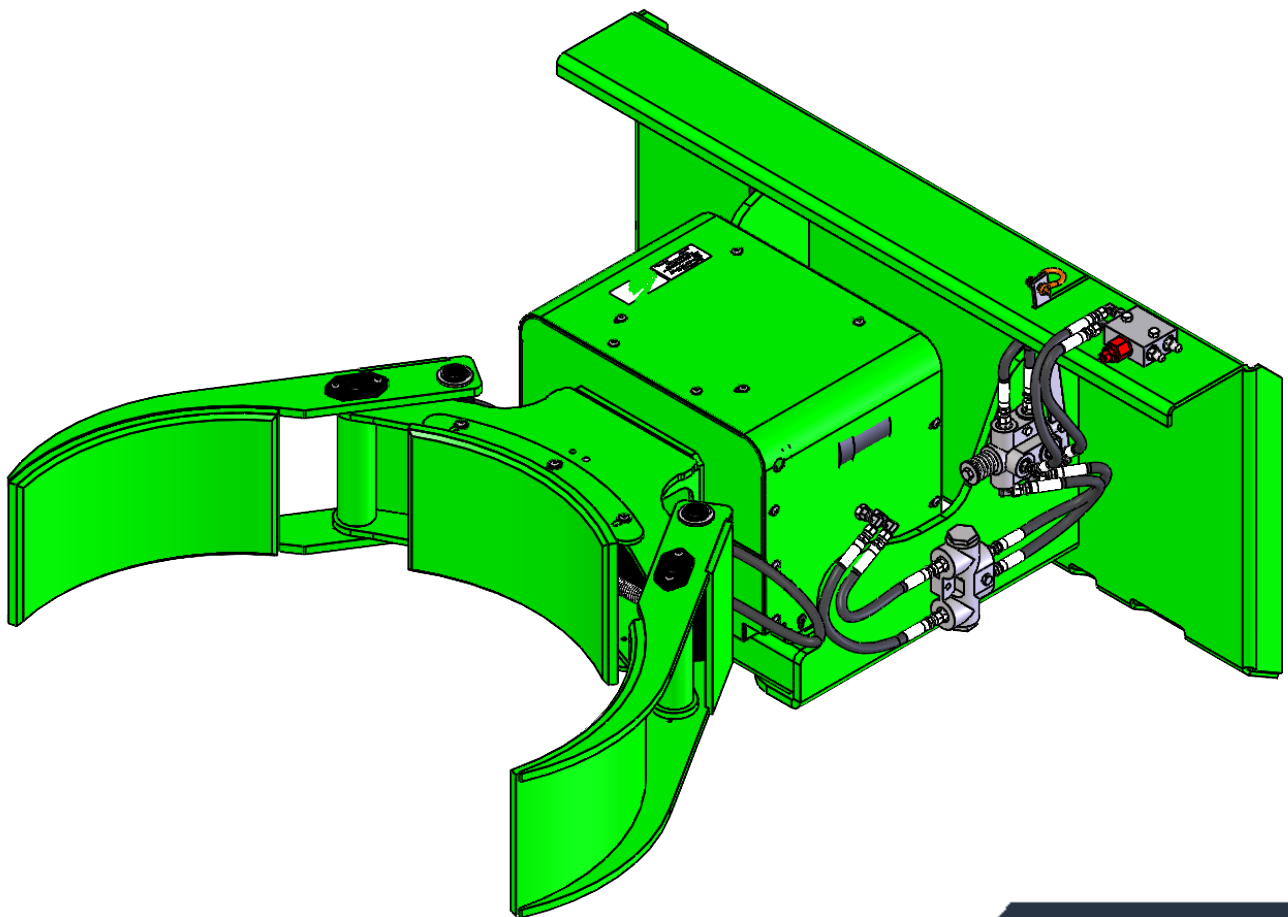




UGIII-2K# SKID STEER F89698



UGIII-2K# SKID STEER

Notice to Purchaser

All statements, technical information, and recommendations related to Valley Craft's products are based on information believed to be reliable, but the accuracy or completeness is not guaranteed. Before using this product, you must determine if it is suitable for your intended application or situation. You assume all risks and liability associated with such use or implementation.

Product Testing

We perform vigorous in-house safety and durability testing to ensure that the performance of our products meets the demands of the workplace. We also expect the same from manufacturers who supply components for our products. We do this to ensure that Valley Craft is a name that our customers trust and associate with quality.

Publication Revision Notice

Following is a history of changes to this publication, including the current revision.

Previously Updated: 03/2023

Last Updated: 08/2023

Copyright Notice

© Valley Craft, Inc. All rights reserved. No part of this publication may be reproduced, photocopied, stored on a retrieval system, or transmitted without the express written consent of Valley Craft.

Trademarks

The Valley Craft logo is a Valley Craft Trademark. All other company or product names are trademarks or registered trademarks of their respective owners. Use of a term in this document should not be regarded as affecting the validity of any trademark or service mark.

■ Table of Contents

Safety	4-6
Safety Overview	4
Safety Message Conventions	5
Safety Data Sheet.....	6
Product Description	7
Specifications.....	7
Features.....	7
Unpacking and Assembly	8
Receiving and Inspection.....	8
Operation	9-10
Operating Procedure Pressure Relief Adjustment.....	9
Operating Procedure Safety.....	10
Maintenance and Adjustments	11
Maintenance and Adjustment Procedures	11
Troubleshooting	12
Trouble Shooting Procedures.....	12
Replacement	13
Replacement Procedures.....	13
Parts List	14-17
Exploded View Jaw Assy	14
BOM Jaw Assy	15
Exploded View Final Assy	16
Bom Final Assy	17
Equipment Drawings	18-19
Hydraulic Schematic.....	18
Lost Load Info	19

UGIII-2K# SKID STEER

Safety

Read and understand all safety information and become familiar with all safety symbols contained in this section before moving, operating or performing maintenance on this equipment.

■ Safety Overview

The following general safety precautions must be observed during all phases of operation, service, and repair of this equipment. Failure to comply with these precautions or with specific safety messages elsewhere in this manual may impair the protection provided by the equipment. Such noncompliance would also violate safety standards of design, manufacture, and intended use of the instrument.

- Observe all safety signs posted in your facility.
- Observe warnings, cautions, handling information, storage requirements and other information on all container labels.
- Wear safety glasses with side shields.
- Wear the proper protective clothing, gloves and other protective equipment before handling any chemicals.
- Group the containers for the move by Hazard Class. Do not move acids with toxics, or oxidizers.
- Use maximum care and good judgment in preventing accidents and injuries and seeking first aid.
- Report unsafe conditions, equipment, practices, and on-job injuries.
- Understand your supervisor's instructions. Ask questions if you do not know how to do the job safely.
- Do not engage in tasks which you believe might be unsafe without consulting your supervisor.
- Clean up the work area and equipment upon job completion.
- Before you start work on any electrical system or circuit, check all power sources to ensure that the system or circuit is de-energized.
- Know the hazardous or potentially hazardous substances you work with or are present in your work area. Review Safety Data Sheets (SDS) on these substances, or contact your supervisor.
- **Please review more detailed safety information on page 13.**

■ Safety Message Conventions

Three types of safety notices may be contained in this manual: **Danger**, **Warning** and **Caution** notices. These notices precede the procedural step or portion of text that presents the safety hazard.



DANGER

- **DANGER** indicates an imminently hazardous situation which, if not avoided, will result in death or serious injury. This signal word is to be limited to the most extreme situations.
-



WARNING

- **WARNING** indicates a potentially hazardous situation which, if not avoided, could result in death or serious injury.
-



CAUTION

- **CAUTION** indicates a potentially hazardous situation which, if not avoided, may result in minor or moderate injury. It may also be used to alert against unsafe practices
-

Safety

Read and understand all safety information and become familiar with all safety symbols contained in this section before moving, operating or performing maintenance on this equipment.



CAUTION

- It is recommended that all operators practice operation of the Rotate and Clamp and its controls with an empty drum before using it on full drums to familiarize themselves with the machine and to develop safe working habits.
- Too much pressure applied to the drum will cause crushing.
- Never activate the clamping function while the skid steer is in motion.
- When dumping drums, rotate slowly, watching for drum distortion as contents are dumped. The dumping capacity is limited by the strength of the container being dumped (an open top drum must be capable of retaining its original cylindrical shape). A distorted drum may fall out of the grip.
- Maximum lifting capacity is 2000 lbs. Actual capacity may be limited by the size of the skid steer. Always follow skid steer manufacturer's specifications.

UGIII-2K# SKID STEER

■ **Safety Data Sheets (SDS)**

A Safety Data Sheet (SDS) provides information on the safe use, handling and potential hazards of a product. This information assists with the proper response in the event of an emergency.

Valley Craft maintains safety data sheets (SDSs) on all our products. You are urged to obtain copies of the relevant SDSs before using our products to protect yourself and others against any known health or safety hazards described in these SDSs. Valley Craft strives to make safety a top priority. Do not hesitate to contact us to discuss any safety aspects of our products.

The relevant SDS codes for Valley Craft products are listed below.

- www.conocophillips.com
Super ATF Transmission Oil, SDS Code 778846
Super-Sta Grease, SDS Code 775440
- www.batteriesplus.com
Sealed Lead Acid Battery
SLA for English version
SLA Sp for the Spanish version
- [Paint](#)
Contact Valley Craft Customer Service at 1-800-328-1480 or on the Web at customerservice@valleycraft.com

■ **Additional Safety Information**

As with any mechanical device, care must be taken during the installation, operation, and maintenance of the device in order to realize the maximum benefit from its ownership.

Note: All personnel involved in the use and maintenance of this device should be thoroughly familiar with the information contained in this manual. Furthermore, it is recommended that all personnel be given adequate instruction and a sufficient period of training in its actual use to insure safety of personnel and proper care of the equipment. It is suggested that the units be initially operated empty until becoming familiar with operation of this unit.

UGIII-2K# SKID STEER

Product Description

The Rotate & Clamp is a skid steer-powered attachment which allows the operator to manipulate drums from most skid steers without any additional equipment. It offers ability to clamp and rotate 360° most sizes and types of drums.

■ Specifications

The Rotate & Clamp specifications are shown in Table 1.

Table 1. Specifications

Dimensions	46"Wx52"Lx22"H
Weight	625 lbs
Load Capacity	2000 lbs

■ Features

The Rotate & Clamp offers state-of-the-art design with many advanced features.

- Pressure reducing valve to control clamp pressure
- Clamping system that clamps steel, fiber, and plastic drums
- 360° rotation
- Rope controlled selector valve

UGIII-2K# SKID STEER

■ Receiving and Inspecting

When unpacking the Rotate & Clamp, inspect the equipment for damage or mishandling. If damage is noted, file a damage claim with the carrier within 24 hours and call Valley Craft at 1-800-328-1480. Do not attempt to use the equipment.

Compare the contents of the shipment with the bill of lading. Report any missing items to the carrier and to Valley Craft immediately.

■ Operating Procedures

Only authorized personnel are permitted to use the Rotate & Clamp. Every load and every situation is different. Every load must be evaluated and planned. Observe the following procedures when using this equipment.

All personnel should be given adequate instruction and a sufficient period of training in actual use of the attachment to insure safety and proper care. The Rotate & Clamp is intended for use with sealed containers.

1. Attach back plate to skid steer.
2. Attach hydraulic quick couplers to those on skid steer. (shown in figure1)
3. Run selector valve rope to operator. (shown in figure 2)
4. Advance skid steer until jaws of drum grip center around the drum.
5. Grip drum in center at all times.
6. Activate clamping pressure by pulling on the rope and operating auxiliary control valve on the skid steer at same time. When drum is sufficiently gripped, release valve and rope.
7. Proceed to location where drum is to be rotated. Operating the auxiliary control valve will rotate the drum clockwise or counter clockwise.
8. To release the drum, pull on rope and operate auxiliary control valve at same time, raise drum grip slightly and back away from drum.
9. If drum grip needs to be removed from skid steer, set unit down, unhook hydraulic quick couplers, and back away from the drum grip.

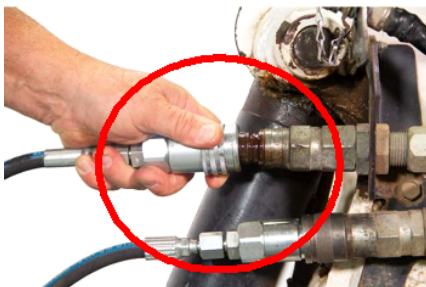


Figure 1

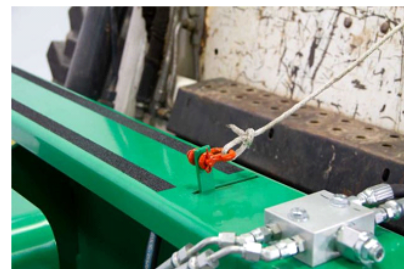
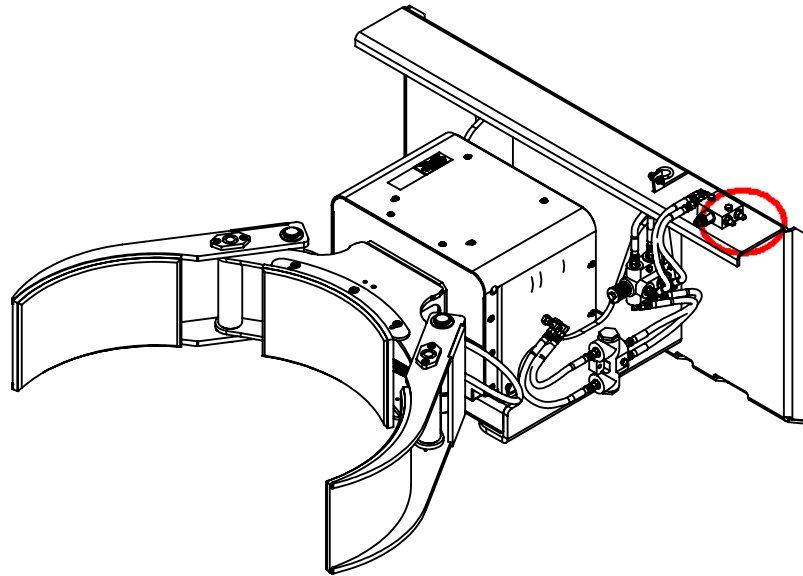


Figure 2

UGIII-2K# SKID STEER

■ Operating Procedures for Pressure Relief Adjustment for Clamp Function



Adjusting Pressure Relief

The pressure relief valve is found on the valve pan. Once the valve has been located adjustments can be made by loosening the jam nut. Adjusting the valve CW (clock wise) increase pressure while adjusting the valve CCW (counter clock wise) decrease the pressure. Each fork truck comes with different system pressure and this valve allows for adjustment.

Each load requires different pressure setting dependant on the items listed below

1. Barrel Material (steel, plastic, fiber)
2. Weight of barrel
3. Rigidity of barrel (open or closed)

Valley Craft has done testing on different loads and offer some guidelines below.

Barrel Material	Weight of barrel	Rigidity of barrel	Pressure Setting PSI
Steel	2000	Closed	1400
Plastic	800	Closed	1000
Fiber	500	Closed	1000

The Maxi II comes standard with the clamp pressure set at 1200 psi, each end user should verify this is the correct setting for their load.

Troubleshooting

Problem	Possible Causes
Drum Slipping	Pressure to low Drum not against back jaw saddle when clamping
Drum Crushing	Pressure to high

Maintenance and Adjustments

■ Maintenance and Adjustment Procedures

To keep the Rotate & Clamp operating properly, timely maintenance and adjustments are required. These procedures should be performed only by qualified personnel who are familiar with the equipment.

Important:

- **Always disconnect quick couplers from the skid steer before beginning an inspection or repair.**

Before each use:

1. Inspect attachment for sharp edges or burrs.
2. Inspect hydraulic hoses for any leaks or punctures.

Every 6 months:

1. Inspect and grease pivot points.
2. Oil rotate chain.
3. Check rotate chain tension. Correct chain tension is attained when the chain can be deflected 1/8" at midpoint between motor sprocket and rotator sprocket.
4. Inspect all fasteners and tighten if necessary.

Troubleshooting

■ Troubleshooting Procedures

The Rotate & Clamp is a quality product that is designed and manufactured to provide prolonged service under normal operating conditions. If troubleshooting is required, it should be performed only by qualified personnel who are familiar with the equipment.

Problem	Possible Cause	Solution
Difficult to attach quick couplers to auxiliary valve	Built up pressure	Shut off skid steer and work auxiliary valve back and forth a few times to release pressure
Unit is crushing drums	Too much pressure applied	Grip drum just to the point that the drum starts to distort. Adjust pressure valve on fork attachment
Cylinder leaking	Worn/old o-rings	Replace seals in cylinder

Replacement

■ Replacement Procedures

Occasionally, it will be necessary to replace a part that has been Damaged or worn. Many parts on this Rotate & Clamp are replaceable. If Replacement of a part is required, it should be performed only by Qualified personnel who are familiar with the equipment.

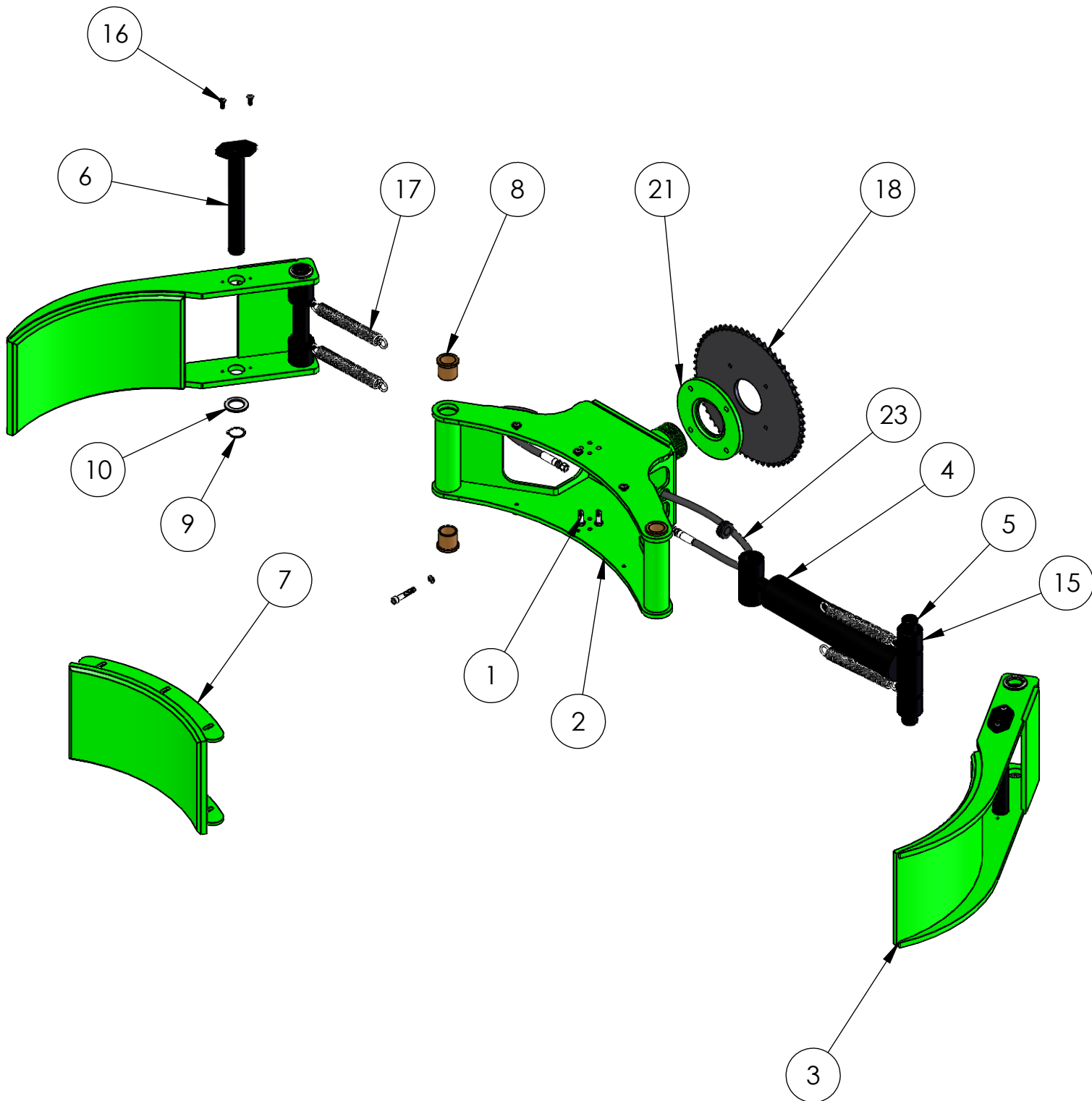
See page 14 for available replacement parts. Identify the part number you need. Contact Valley Craft Customer Service at 1-800-328-1480 or on the Web at customerservice@valleycraft.com.

Information required when contacting Valley Craft:

- A. Company name and address
- B. Contact persons name
- C. Telephone number
- D. E-Mail address
- E. Model Number
- F. Date of manufacture
- G. Part number(s) of part(s) to be ordered

The model number and date of manufacture is stamped on a metal tag located on the control box.

F60560A1 UG-JAW ASSY 15-30 PL PD
EXPLODED VIEW

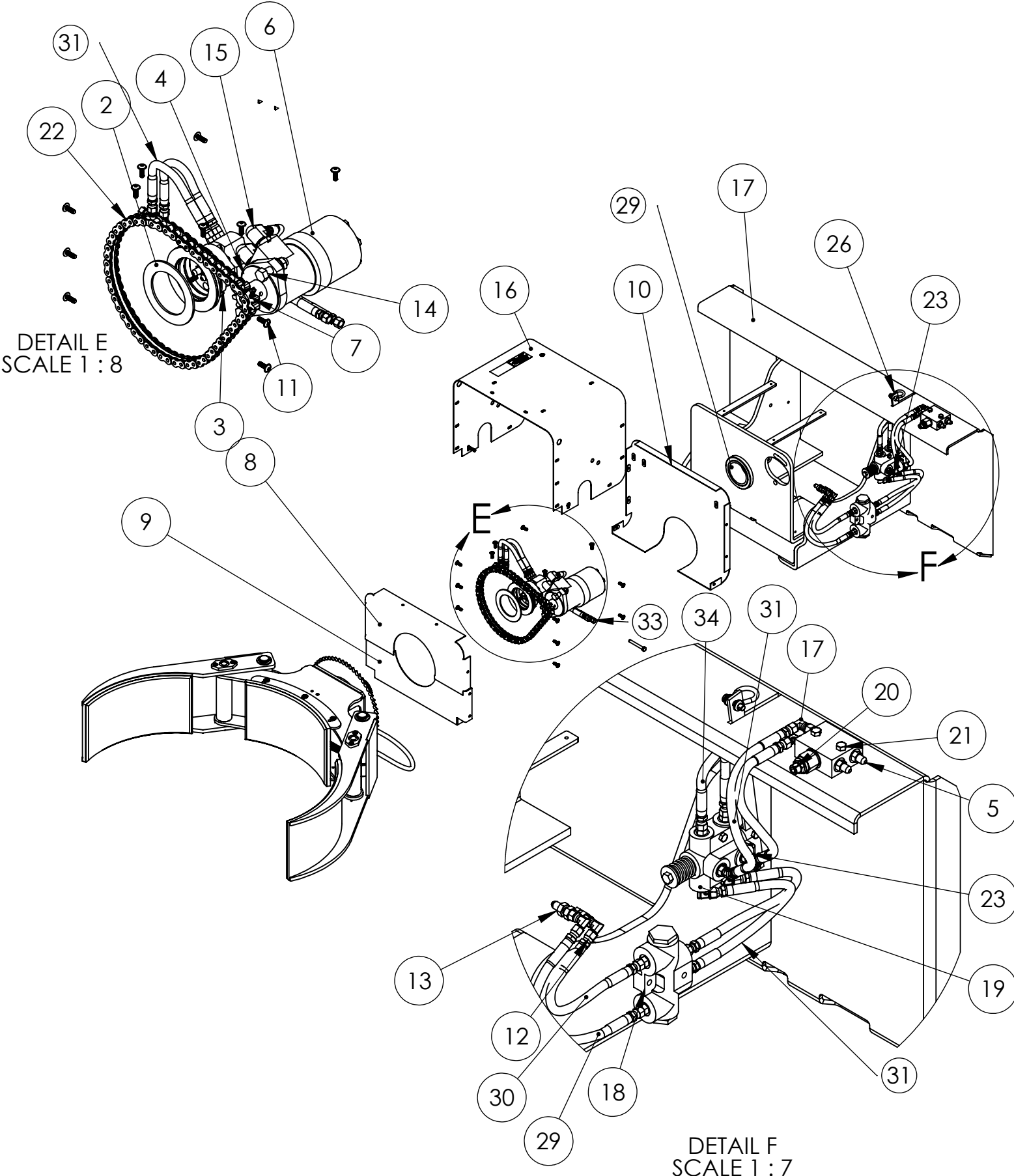


UGIII-2K# SKID STEER

**F60550A1 UG-JAW ASSY 15-30
Bill of Materials**

ITEM NO.	PART NUMBER	DESCRIPTION	QTY.
1	Z11484A3	CONNECTOR 3/8-16 SPRING	4
2	F60449A0	ARM WLDMT UG PL PD UG3	1
3	F68825A3	UG-JAW-WLDMT-18-28 (9")	2
4	Z20845A8	CYL ASSY-UG3 CLAMP 1.13ROD	1
5	F50401	CYL PIN 1.25 UG3 FRT SECT	2
6	F68832A0	UG-JAW-PIN WLDMT-20-35	2
7	F68824A2	UG-JAW-SADDLE WLDMT-15-30 (9")	1
8	Z20830A3	BRG-BRZ-FLG 1.25X1.50X1.50	4
9	Z10534A4	RING-RTNG 1-1/4	6
10	Z10592A2	BUSH-MACH 1-1/4X10GA ZP	6
11	Z20813A0	GROMMET-.75IDX1.06HOLEX.25TH	2
12	Z20616A6	FTG 90 6801-4-4 NWO	2
13	Z10026A8	NUT-HEX JAM 3/8-16ZP	4
14	F50438	SHT-.19/UG3 JAW ASSY SPRG CLIP	4
15	F50435	RD-2.00/UG3 JAW ASSY CYL SPCR	4
16	Z11572A7	S-BHCS 1/4-20X3/4 ZINC	10
17	Z11485A2	SPRING-EXTENSION 1.00X.14X8.00	4
18	F51281	SPROCKET-LRG BORE UG3 PL PD	1
19	Z10214A0	WASHER-3/8 LOCK MD	4
20	Z11562A7	S-SHC 3/8-16X2 ZP	4
21	F51279	SPCR PLATE RD UG3 PL PD	1
22	Z10201A5	WASHER-5/16 FLAT USS	4
23	F61313A6	HOSE-24.00/613	2
24	Z10602A2	WASHER-1/4 FLAT SAE	6

UGIII-2K# SKID STEER



UGIII-2K# SKID STEER

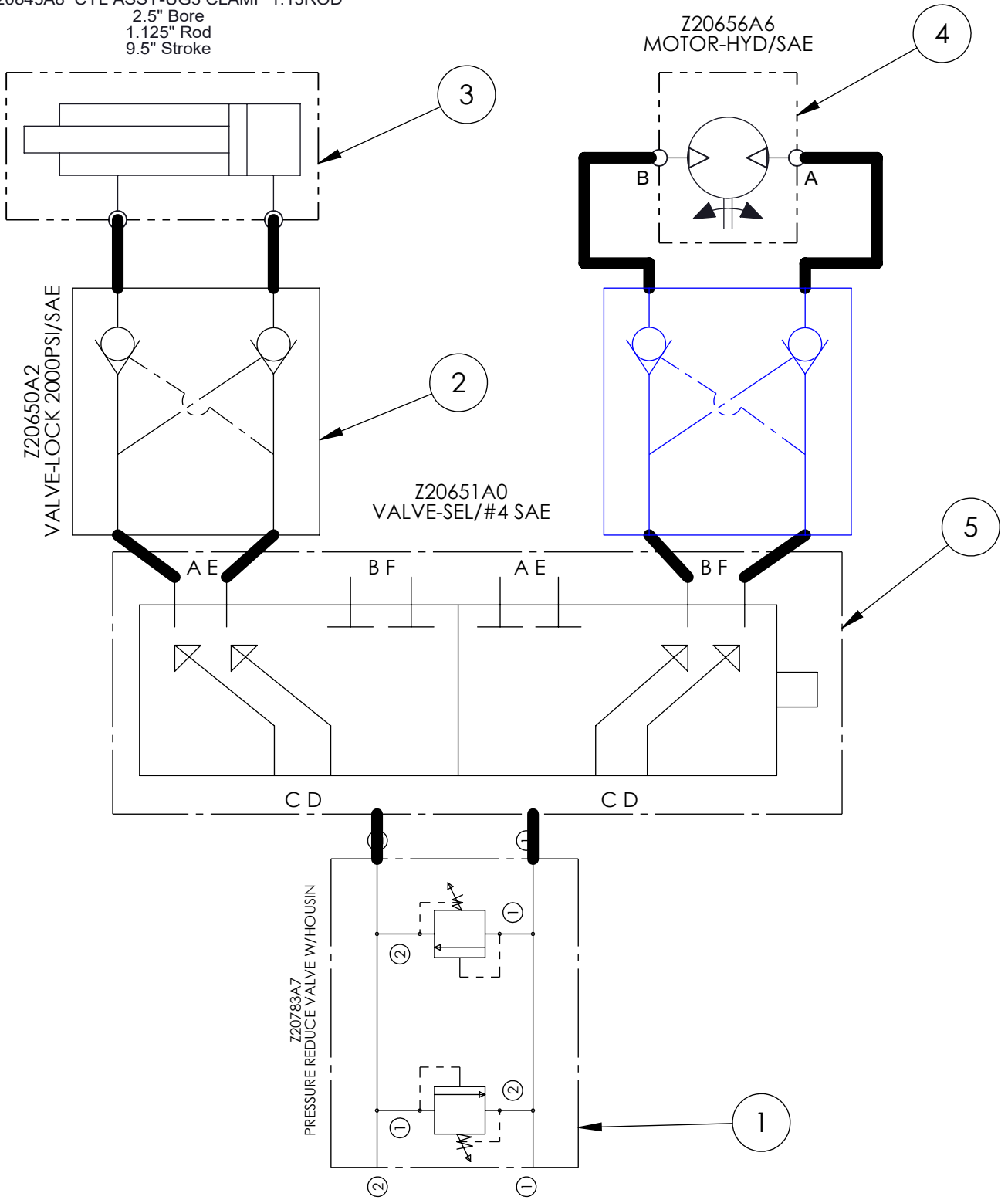
F89698 UGIII-2K# SKID STEER BOM

ITEM NO.	PART NUMBER	DESCRIPTION	QTY.
1	F60550A1	UG-JAW ASSY 15-30 PL PD	1
2	F51291	NYLON SPACER 3IDX4.5ODX.125	2
3	F51292	ROTATE JAM NUT	2
4	Z20869A2	VEKTEK ROTATOR 32-2242-03	1
5	Z20615A7	FTG STR 6400-4-4-O	17
6	Z20656A6	MOTOR-HYD/SAE	1
7	Z30400A2	SPROCKET-SM W/SHS	1
8	F69011A1	SPROCKET TOP COVER WLDMT	1
9	F69010A0	SPROCKET BOTTOM COVER WLDMT	1
10	F69003A3	VERSA BACK COVER WLDMT	1
11	Z11572A7	S-BHCS 1/4-20X3/4 ZINC	16
12	Z20704A0	FTG 90 6500-4-4 SWL	7
13	Z84897A3	FTG STR 2700-4-4-LN	4
14	Z10620A4	S-HHC 1/2-13X2 GR 5	2
15	Z20701A3	FTG 90 6801-6-10 NWO	2
16	F51725	UGIII COVER (KAN BAN)	1
17	F60583A4	UG-RTB-WELDMENT BC	1
18	Z20650A2	VALVE-LOCK 2000PSI/SAE	2
19	Z20651A0	VALVE-SEL/#4 SAE	1
20	Z20783A7	PRESSURE REDUCE VALVE W/HOUSIN	1
21	Z10158A8	S-HHC 5/16-18X2-1/4	2
22	F30560A0	CHAIN-RS 50/40" & HALF-LINK	1
23	Z20675A9	FTG 45 6802-4-4 NWO	2
24	Z20616A6	FTG 90 6801-4-4 NWO	3
25	Z30180A8	CLEVIS-1/4/1546	1
26	F57832	TRIP-ARM/300DG	1
27	Z30513A6	SNAP-WIRE 3/8 ZP	1
28	Z31607A8	BRG-BRZ 3 IDX3.5ODX2" LONG	1
29	F61297A2	HOSE-16.50/613	2
30	F61310A9	HOSE-13.00/613	2
31	F61318A1	HOSE-11.00/613	6
32	F61345A4	HOSE-84.00/613/682	2
33	F65143A6	HOSE-16.00/613/682	2
34	Z20748A5	HOSE-42.0/613	2

UGIII-2K# SKID STEER

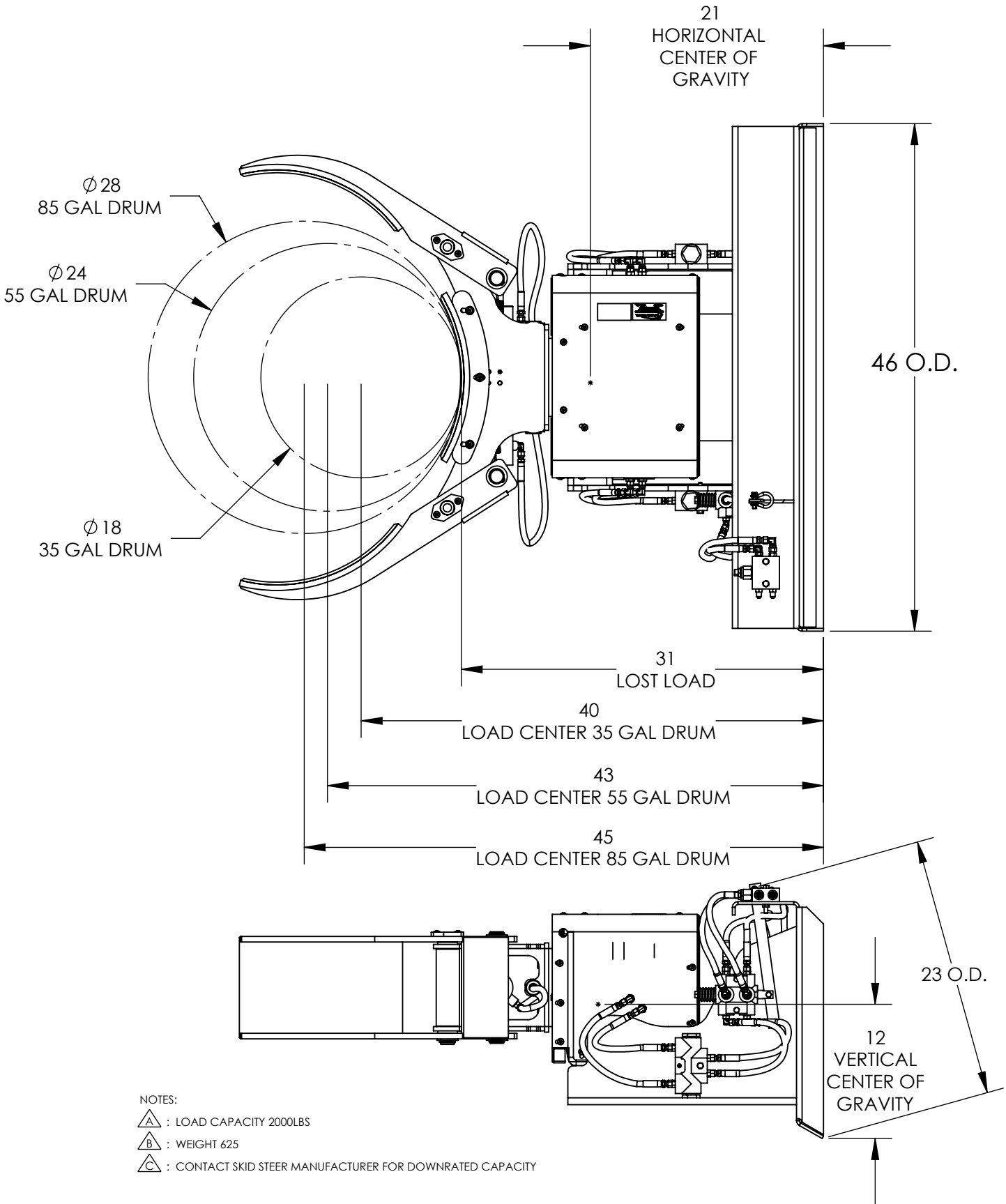
HYDRAULIC SCHEMATIC

Z20845A8 CYL ASSY-UG3 CLAMP 1.13ROD
 2.5" Bore
 1.125" Rod
 9.5" Stroke



ITEM	PART NO.	DESCRIPTION	QTY
1	Z20783A7	PRESSURE REDUCE VALVE W/HOUSIN	1
2	Z20650A2	VALVE-LOCK 2000PSI/SAE	2
3	Z20845A8	CYL ASSY-UG3 CLAMP 1.13 ROD	1
3A	R20845A01	KIT-SEAL 2.5" CLAMP	1
4	Z20656A6	MOTOR-HYD/SAE	1
5	Z20651A0	VALVE-SEL/#4 SAE	1

UGIII-2K# SKID STEER



Warranty and Limitation of Liability

Valley Craft products are warranted for a period of one (1) year from date of shipment from Valley Craft's plant to be free from defects in material and workmanship under correct use, normal operation and proper application. However, parts of other than Valley Craft manufacture are subject ONLY to the original manufacturer's warranty. Valley Craft's obligation under warranty shall be limited to repair or exchange, at Valley Craft's option, FOB origin factory, of any Valley Craft product or part which proves to be defective as provided herein. Valley Craft reserves the right to either inspect the product at Buyer's location, or require it to be returned to the factory for inspection. The warranty contained herein does not extend to goods damaged, or subject to accident, abuse or misuse after shipment from Valley Craft's factory, nor to goods altered or repaired by anyone other than an authorized Valley Craft representative.

Buyer or user shall not alter, modify or use a Valley Craft product for anything other than its intended function. Valley Craft shall not in any way be responsible for the consequences of any such alteration, modification or misuse.

VALLEY CRAFT MAKES NO EXPRESS WARRANTIES OTHER THAN THOSE WHICH ARE SPECIFICALLY DESCRIBED HEREIN. Any description of the goods sold hereunder, including any references to Buyer's specifications and any descriptions in catalogs, circulars and other written material published by Valley Craft, is for the sole purpose of identifying such goods and shall not create an express warranty that the goods shall conform to such descriptions.

THIS WARRANTY IS EXPRESSLY IN LIEU OF ALL OTHER WARRANTIES, EXPRESS OR IMPLIED. THERE ARE NO IMPLIED WARRANTIES OF MERCHANTABILITY OR FITNESS FOR A PARTICULAR PURPOSE. THIS WARRANTY STATES VALLEY CRAFT'S ENTIRE AND EXCLUSIVE LIABILITY AND BUYER'S EXCLUSIVE REMEDY FOR ANY CLAIM OR DAMAGES IN CONNECTION WITH VALLEY CRAFT PRODUCTS, THEIR DESIGN, SUITABILITY FOR USE, INSTALLATION OR OPERATION OR FOR ANY CLAIMED DEFECTS. VALLEY CRAFT WILL IN NO EVENT BE LIABLE FOR INCIDENTAL OR CONSEQUENTIAL DAMAGES WHATSOEVER, NOR FOR ANY SUM IN EXCESS OF THE PRICE RECEIVED FOR THE GOODS FOR WHICH LIABILITY IS CLAIMED.

Technical Assistance/Warranty Procedure

What's Covered:

- Parts and Labor to correct manufacturer's defect within one year of purchase.
- Freight Cost

What's Not:

- Normal wear items (seal kits, bearings, tires, etc.)

What Voids the Warranty:

- Dirt/Grime that directly causes malfunction of product
- Abuse (i.e. Overloading, damaged, not properly maintained, etc.)
- Product altered by customer

*See "Items not Under Warranty" below for items that have the warranty voided.

Items Under Warranty (less than one year old):

- Warranty replacement parts are provided only when the problem can be identified with near certainty. If not, the customer will return item to Valley Craft, freight collect, for troubleshooting and/or repair. When repaired, product will be returned to customer, freight prepaid. Otherwise, customer may call local authorized service technician for assistance. . Under this arrangement, replacement parts will be sent at no charge but labor costs will NOT be covered.

Items NOT Under Warranty (greater than one year old or "having warranty voided):

- Customer will return item to valley Craft, freight prepaid, for troubleshooting and/or repair. Valley Craft will call customer with \$\$ estimate of parts and labor for approval before repairing. Product will be returned to customer, freight collect.
Or

Customer may call local authorized service technician for repairs at their own expense.



Valley Craft is a family-owned company based in Minnesota. Founded in 1953 with the introduction of the first hand truck with a brake, Valley Craft has grown to be a world class manufacturer known for producing material handling, storage, and safety solutions that truly stand the test of time.

Our commitment to building only the most rugged and reliable products - together with a relentless and uncompromising dedication to customer satisfaction is what sets Valley Craft apart.

Through thoughtful and intelligent design, we have helped transform the way people work. Over the years, we have helped solve some of the most complex material handling challenges. We help our customers to become better organized and to work smarter, safer, and more efficiently. As our breadth of products continues to evolve with every new innovation, our core values stay the same:

Professional Grade Quality.... Built to Last.... Made in the U.S.A.

Valley Craft, Inc.

2001 South Highway 61

Lake City, Minnesota 55401 U.S.A.

www.valleycraft.com 

customerservice@valleycraft.com 

651-345-3386 