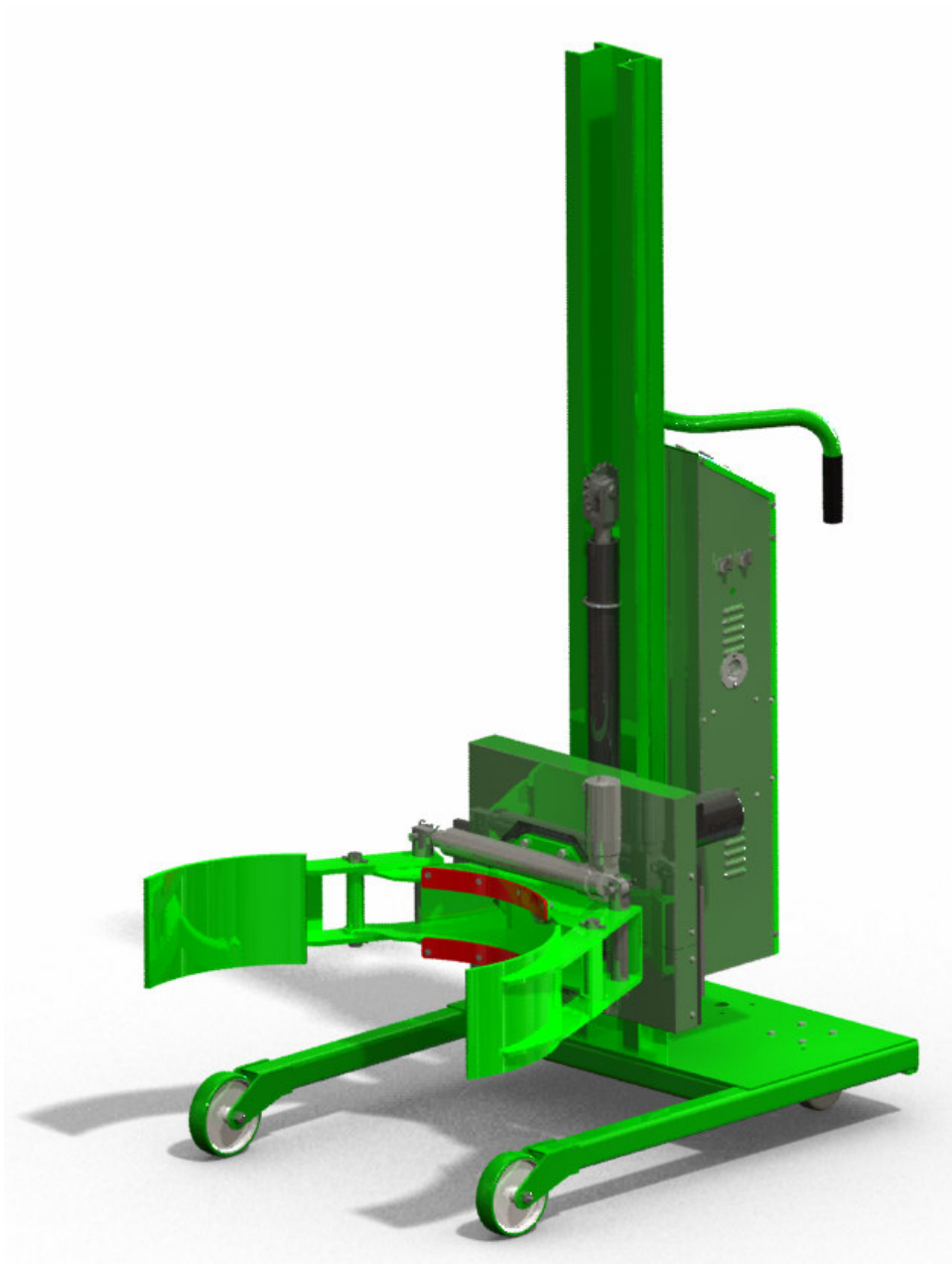


**ROTO-GRIP**  
**BATTERY POWERED**



**INSTRUCTION MANUAL**

VALLEY CRAFT, INC. 2001 SOUTH HWY. 61, LAKE CITY, MN 55041 PH: 1-800-328-1480

## **TABLE OF CONTENTS**

|           |                                       |                 |
|-----------|---------------------------------------|-----------------|
| <b>A.</b> | <b>OPERATING INSTRUCTIONS</b>         | <b>PG. 3</b>    |
| <b>B.</b> | <b>SAFETY</b>                         | <b>PG. 4</b>    |
| <b>C.</b> | <b>MAINTENANCE INFORMATION</b>        | <b>PG. 4</b>    |
| <b>D.</b> | <b>MSDS</b>                           | <b>PG. 4</b>    |
| <b>E.</b> | <b>BATTERY CHARGING INSTRUCTIONS</b>  | <b>PG. 5</b>    |
| <b>F.</b> | <b>PARTS DIAGRAMS</b>                 | <b>PG. 6-11</b> |
| <b>G.</b> | <b>HYDRAULIC/ELECTRICAL SCHEMATIC</b> | <b>PG. 12</b>   |
| <b>H.</b> | <b>TROUBLESHOOTING CHART</b>          | <b>PG. 13</b>   |
| <b>I.</b> | <b>WARRANTY STATEMENT</b>             | <b>PG. 14</b>   |

### **A. Operating Instructions**

**NOTE: IT IS RECOMMENDED THAT ALL OPERATORS FAMILIARIZE THEMSELVES WITH THE MACHINE AND DEVELOP SAFE WORKING HABITS.**

1. **IMPORTANT!** Remove solid plug on hydraulic reservoir and install breather cap (included in the Power Pak) for proper air venting.
2. Install battery with the negative pole on the left hand side. Do not allow ground wire to come in contact with any other wires or a short will occur.
3. Move the Roto-Grip forward, straddling the drum, and center the rotating jaws to the drum using the “UP/DOWN” switch on the control panel.
4. After jaws are centered on drum, push the unit forward the rest of the way so the drum touches the rear of the jaws.
5. By simultaneously depressing the “ON” button and the “CLAMP” switch on the control panel securely squeeze the drum.  
NOTE: The “ON” button must be depressed before the clamping mode is operational.
6. With the drum clamped, raise the drum by using the “UP” switch.
7. To dump, raise the drum to the desired height and then depress the “ROTATE” switch, on top of the enclosure, in the direction you want the drum to dump.

**B. Safety Instructions**

1. When transporting a load, it is recommended that the drum is lowered as close to the floor as possible to reduce the chance of accidents during transport.
2. Do not leave load suspended for an extended period of time or premature wear to the lifting cylinder will occur.
3. Maximum lifting capacity is 800 pounds.

## **C. Maintenance Information**

1. Use 12 Volt 80AH sealed lead acid AGM battery. Approximate dimensions of the battery is 10 ¼ long x 6 ¾ wide x 8 3/8 high (to top of terminals). Battery warranty is free replacement within one year of purchase.
2. Check hydraulic fluid every 40 hours or before using the machine after long set-aside periods. Three quarts of hydraulic fluid is sufficient to operate the system properly. Do not overfill. Use Dexron automatic transmission fluid only!
3. The lifting chain should be oiled periodically as needed. This is best accomplished by lowering the backplate completely and spraying lubricant onto the chain.
4. The front section assembly has two grease zerks on the backplate and should be greased every 100 hours of use.
5. Check rubber lining on jaws occasionally to insure they are in good condition (not worn, ripped, etc.) or drums may slip from the grip.

## **D. Material Safety Data Sheets (MSDS)**

A Material Safety Data Sheet (MSDS) provides information on the safe use, handling and potential hazards of a product. This information assists with the proper response in the event of an emergency.

Valley Craft maintains material safety data sheets (MSDS) on all our products. You are urged to obtain copies of the relevant MSDSs before using our products to protect yourself and others against any known health or safety hazards described in these MSDSs. Valley Craft strives to make safety a top priority. Do not hesitate to contact us to discuss any safety aspects of our products.

The relevant MSDS codes for Valley Craft products are listed below.

[www.conocophillips.com](http://www.conocophillips.com)

Super ATF Transmission Oil, MSDS Code 778846

Super-Sta Grease, MSDS Code 775440

[www.batteriesplus.com](http://www.batteriesplus.com)

Sealed Lead Acid Battery

SLA for English version

SLA Sp for the Spanish version

[Paint](#)

Contact Valley Craft Customer Services at 1-800-328-1480 or on the web at [customer@valleycraft.com](mailto:customer@valleycraft.com)

## E. Battery Charging Instructions

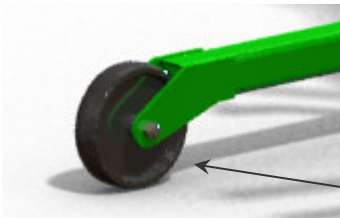
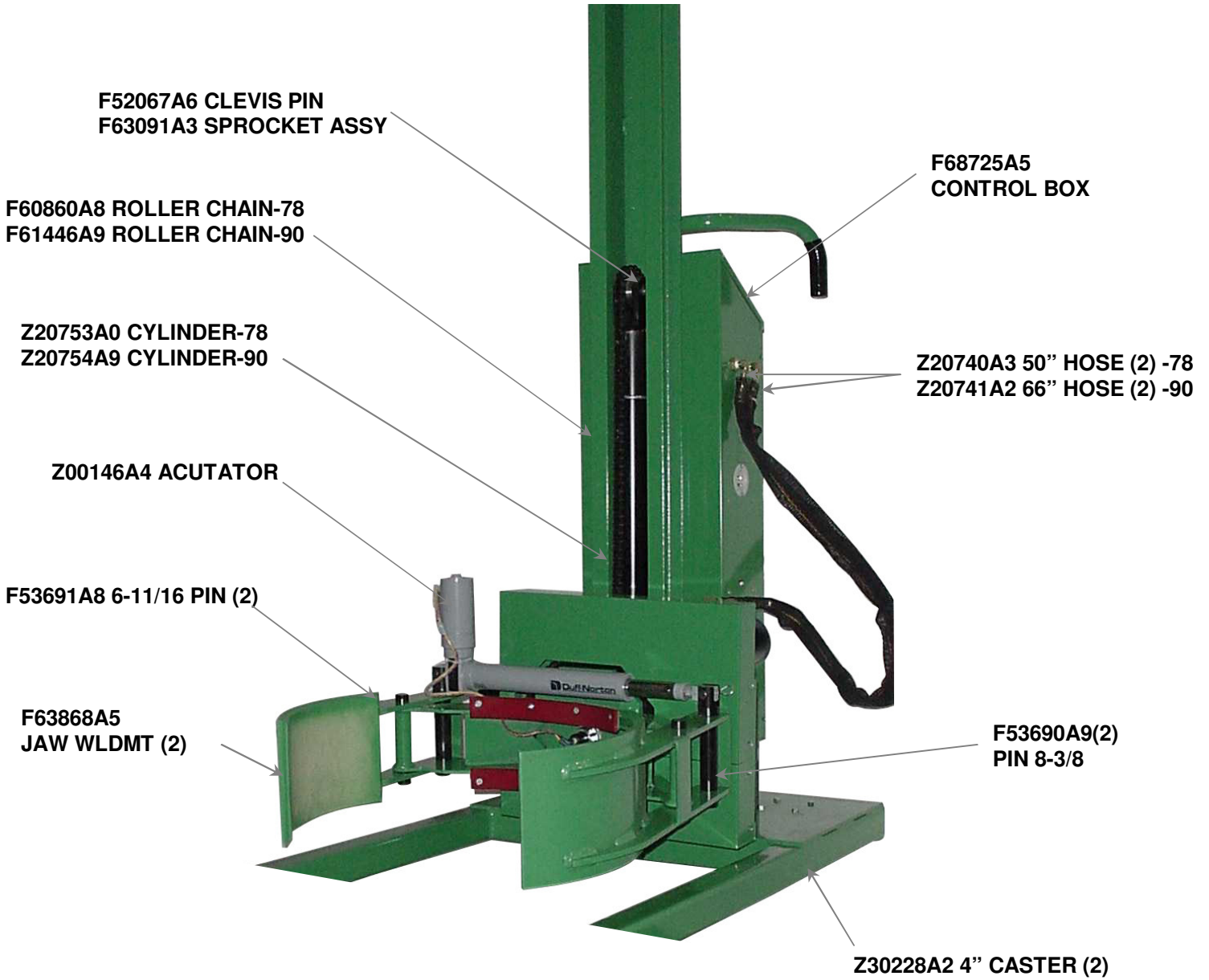
1. Plug a grounded extension cord into built-in receptacle in Control Box and plug into outlet.
2. The Roto Grip is charged automatically, and can be left unattended while charging.
3. When re-charging is accomplished, unplug extension cord from Control Box.

### NOTES:

- A. Generally, batteries will require equal charging to work time (ex. One hour of machine use = one hour of re-charging time).
- B. It is not recommended that alternate charging devices be used.
- C. **CAUTION!** To avoid shock or burn, **NEVER** touch the unit while recharging.

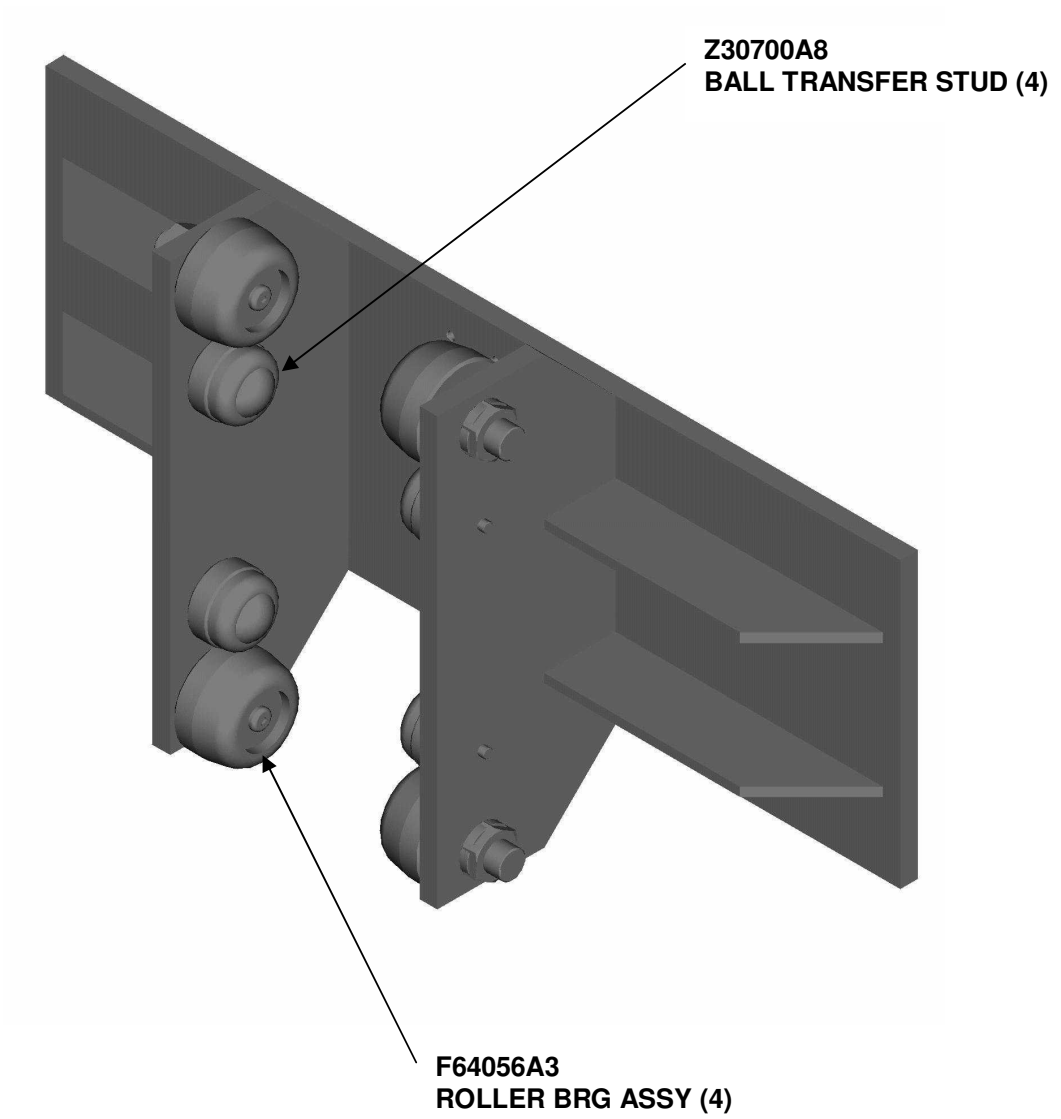
## F. Parts Diagrams

**F88585C3 ROTOG RIP-78**  
**F58586C2 ROTOG RIP-90**

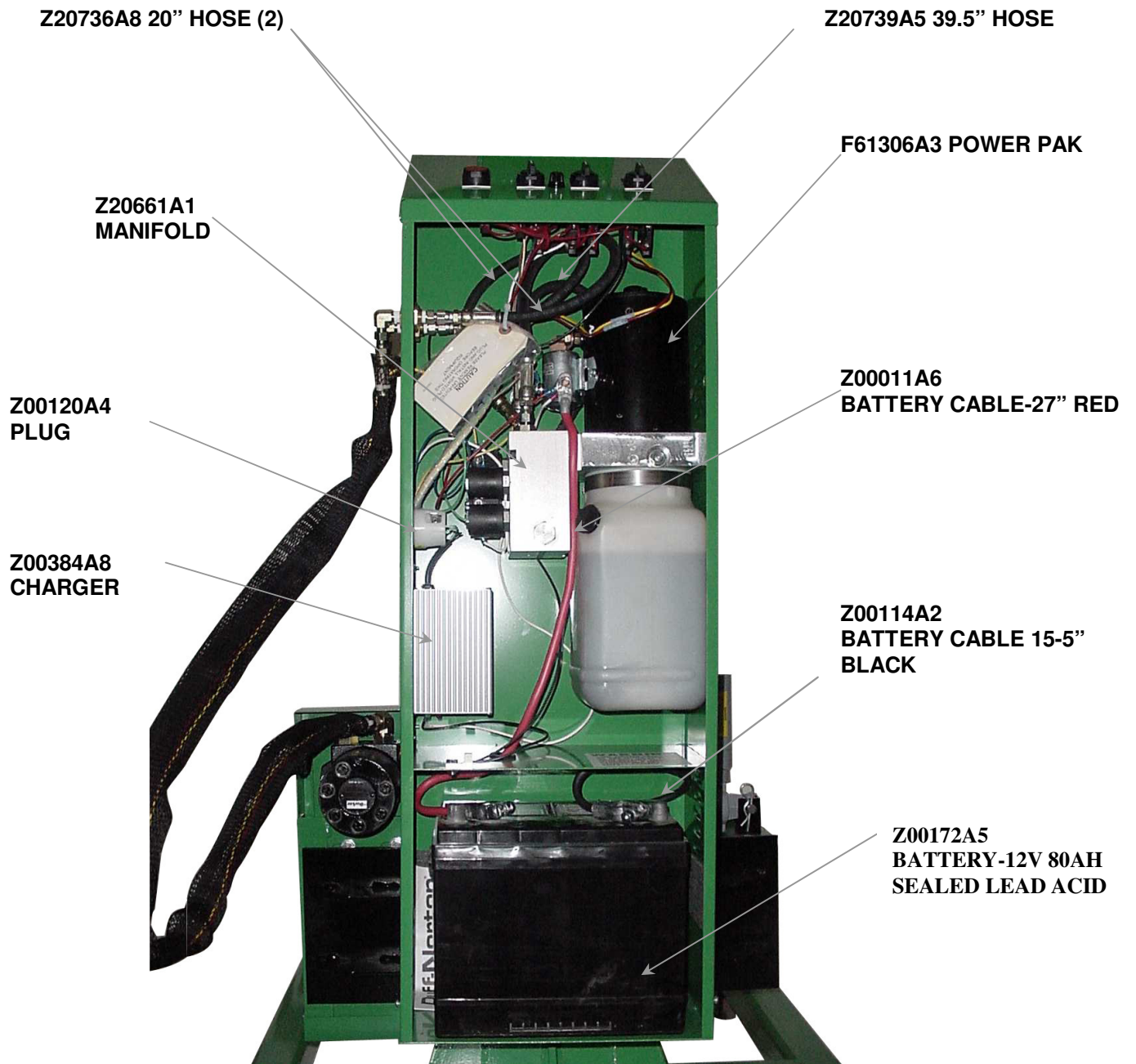


**Z31606A9 6" PHENOLIC WHEEL (2)**  
**F68993 AXLE BOLT ASSY/SL (2)**  
**Z10048A2 NUT-NYLOCK NE 1/2-13 (2)**

**BACKPLATE ASSEMBLY**  
**F64367A4**

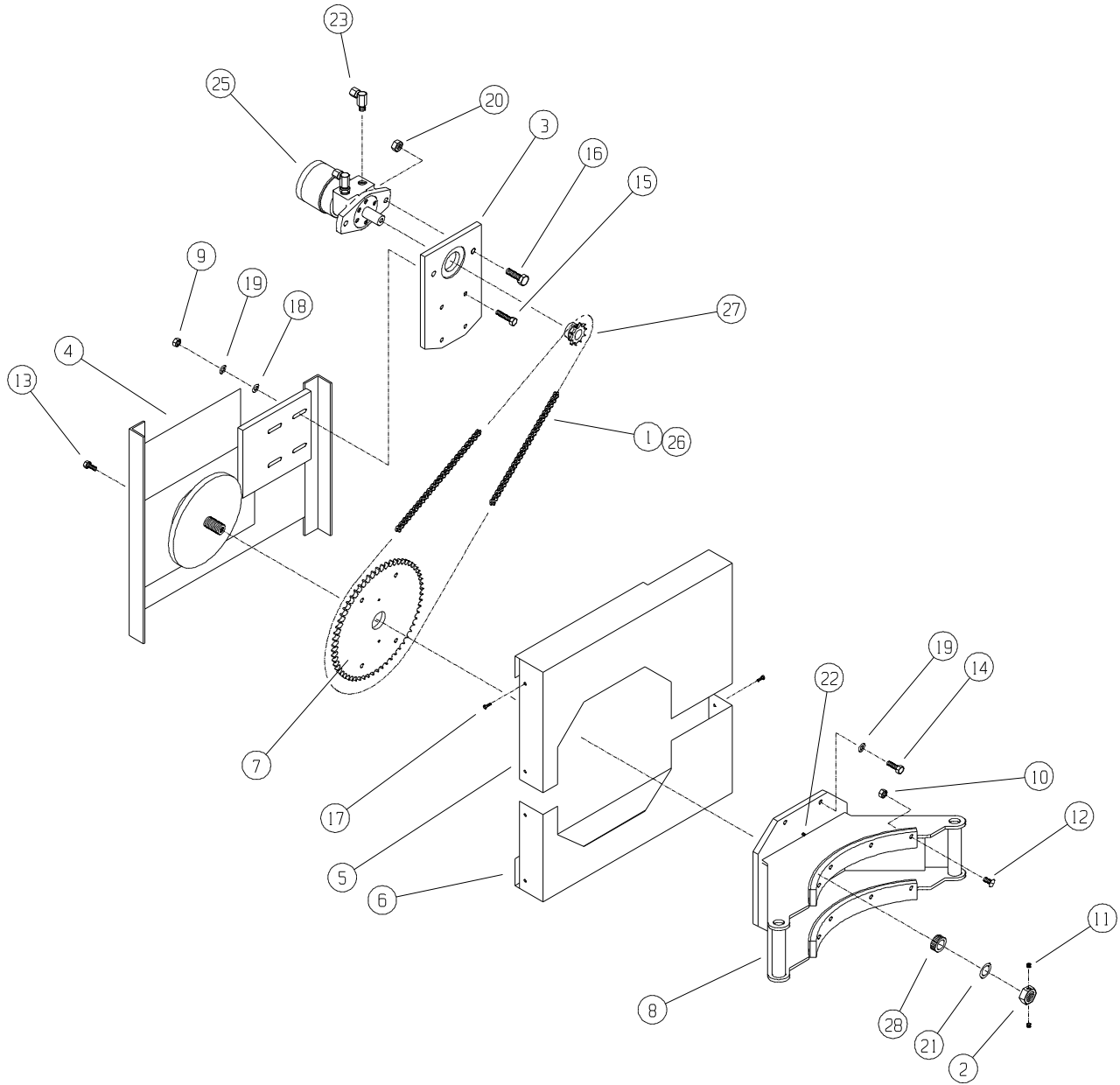


**CONTROL BOX ASSY**  
**F68725A5**





**PARTS BREAKDOWN**  
**FRONT SECTION ASSEMBLY**  
**F63161B8**

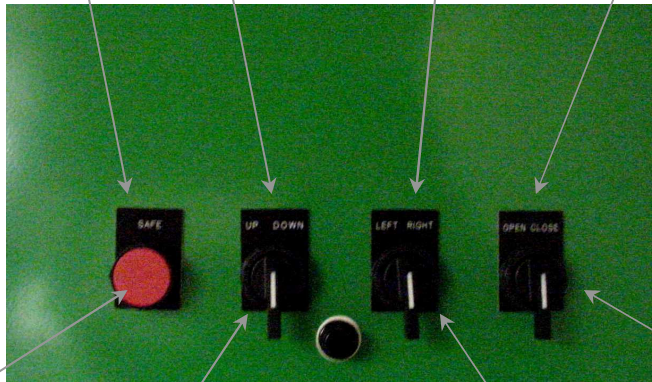


## **PARTS LIST**

| <b>ITEM</b> | <b>PART NUMBER</b> | <b>DESCRIPTION</b>       | <b>QTY.</b> |
|-------------|--------------------|--------------------------|-------------|
| 1           | F30214A4           | CHAIN-ROLLER             | 1           |
| 2           | F52527A0           | NUT-LOCK 1-14            | 1           |
| 3           | F52651A8           | MOTOR MOUNT              | 1           |
| 4           | F62630A3           | BACK SECTION             | 1           |
| 5           | F52648A4           | TOP-CHAIN GUARD          | 1           |
| 6           | F52649A3           | BOTTOM-CHAIN GUARD       | 1           |
| 7           | F52650A9           | SPROCKET-LARGE           | 1           |
| 8           | F63790A3           | ARM WELDMENT             | 1           |
| 9           | Z10026A8           | HEX JAM NUT 3/8-16       | 4           |
| 10          | Z10035A7           | NUT-HEX KEPS 1/4-20      | 8           |
| 11          | Z10090A9           | S-SHS 5/16-18X3/8        | 2           |
| 12          | Z10099A0           | FLAT HD SCREW 1/4-20X3/4 | 8           |
| 13          | Z10122A1           | S-HHC 5/16-18X3/4        | 2           |
| 14          | Z10132A9           | S-HHC 3/8-16X1           | 4           |
| 15          | Z10134A7           | HEX SCREW 3/8-16X1-1/2   | 4           |
| 16          | Z10148A1           | HEX SCREW 1/2-13X1-1/2   | 2           |
| 17          | Z10166A8           | SCREW #10-24X1/2         | 8           |
| 18          | Z10202A4           | FLAT WASHER 3/8 SAE      | 4           |
| 19          | Z10214A0           | LOCKWASHER 3/8           | 8           |
| 20          | Z10393A3           | NUT-LOCK 1/2-13          | 2           |
| 21          | Z10430A5           | BUSH-MACH 1X14GAX2       | 1           |
| 22          | Z10627A7           | GREASE ZERK              | 2           |
| 23          | Z20701A3           | FTG 90 6801-6-10 NWO     | 2           |
| 25          | Z20656A6           | HYDRAULIC MOTOR          | 1           |
| 26          | Z30059A6           | CONNECTING LINK          | 1           |
| 27          | Z30400A2           | SPROCKET-SMALL           | 1           |
| 28          | Z30420A8           | 1" TAPERED ROLLER BRG    | 1           |
| 29          | Z41024A4           | RED URETHANE             | 2           |

**TOP PANEL CONTROL BOX**  
**F68729A1**

SAFE      UP/DOWN      LEFT/RIGHT      OPEN/CLOSE



**Z00522A8**  
**RED PUSHBUTTON**

**Z00524A6**  
**CONTACT BLOCK N/O**

**Z300523A7**  
**3-POSITION SWITCH**

**Z00524A6**  
**CONTACT BLOCK N/O**

**Z00542A8**  
**CONTACT BLOCK 2 N/O**

**Z00523A7**  
**3-POSITION SWITCH**

**Z00542A8 (2)**  
**CONTACT BLOCK 2 N/O**

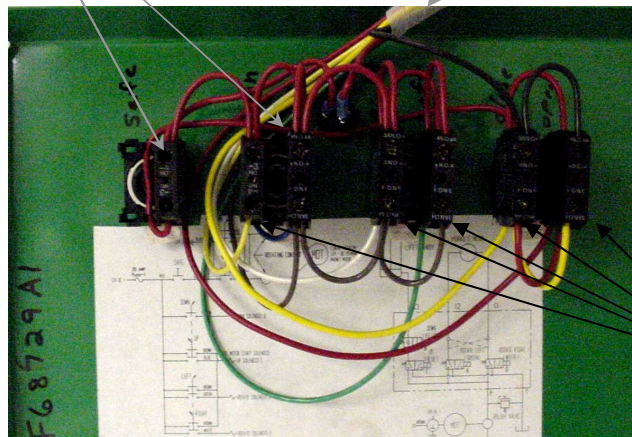
**Z00523A7**  
**3-POSITION SWITCH**

**Z00542A8 (2)**  
**CONTACT BLOCK 2 N/O**

**CONTACT BLOCK LOCATIONS**

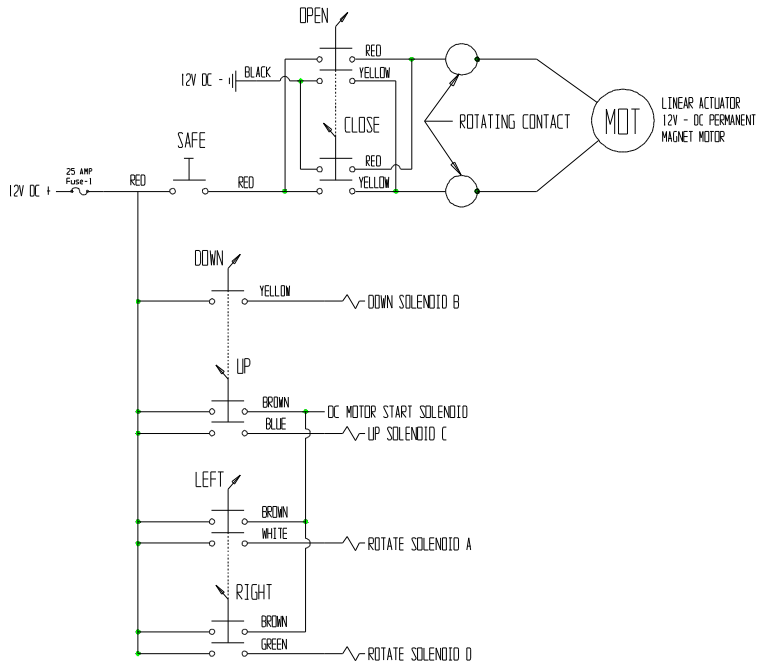
**Z00524A6**  
**CONTACT BLOCK N/O**

**F68726A4**  
**WIRE HARNESS**

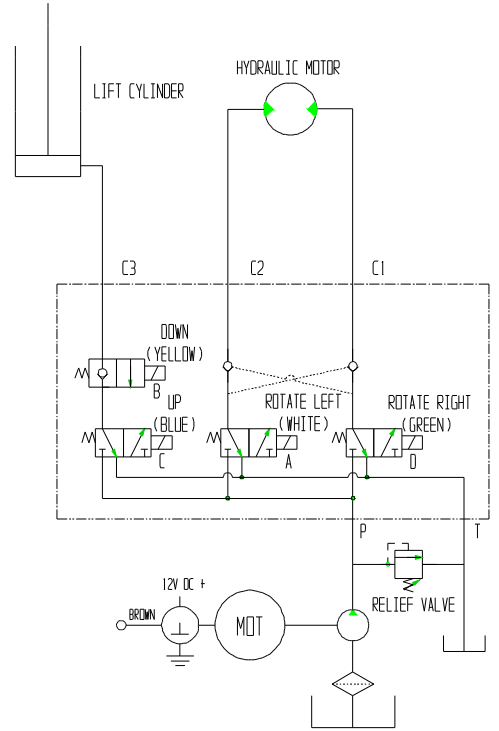


**Z00542A8**  
**CONTACT BLOCK 2 N/O**

# G. Hydraulic/Electrical Schematic



ELECTRICAL WIRING



HYDRAULIC SCHEMATIC

## H. Troubleshooting Chart

| PROBLEM                | POSSIBLE CAUSE  | SOLUTION  |
|------------------------|---|---|
| Batteries won't charge | Faulty Battery(s)<br><br>Not following recharging directions<br><br>Improper grounding/wiring   | Load test Batteries to ensure it is good. If battery is bad see page 7 for replacement.<br><br>Refer to Battery Charging Instructions (Page 4)<br><br>Tighten Charger mounting bolts and check wiring   |
| Unit not functioning   | Low/Dead Batteries<br><br>Improper grounding<br><br>Damaged or loose wiring<br><br>Bad Switches | Recharge Batteries<br><br>Check Motor & Battery wire connections. Tighten if necessary<br><br>Check wiring to switches in Control Box. Re-attach loose connections.<br><br>Call factory for replacement |

## I. Warranty Statement

### Warranty & Limitation of Liability

Valley Craft products are warranted for a period of one (1) year from date of shipment from Valley Craft's plant to be free from defects in material and workmanship under correct use, normal operating and proper application. However, parts of other than Valley Craft manufacture are subject ONLY to the original manufacturer's warranty. Valley Craft's obligation under warranty shall be limited to repair or exchange, at Valley Craft's option, FOB origin factory, of any Valley Craft product or part which proves to be defective as provided herein. Valley Craft reserves the right to either inspect the product at Buyer's location, or require it to be returned to the factory for inspection. The warranty contained herein does not extend to goods damaged, or subject to accident, abuse or misuse after shipment from Valley Craft's factory, nor to goods altered or repaired by anyone other than an authorized Valley Craft representative.

Buyer or user shall not alter, modify or use a Valley Craft product for anything other than its intended function. Valley Craft shall not in any way be responsible for the consequences of any such alteration, modification or misuse.

VALLEY CRAFT MAKES NO EXPRESS WARRANTIES OTHER THAN THOSE WHICH ARE SPECIFICALLY DESCRIBED HEREIN. Any description of the goods sold hereunder, including any references to Buyer's specifications and any descriptions in catalogs, circulars and other written material published by Valley Craft, is for the sole purpose of identifying such goods and shall not create an express warranty that the goods shall conform to such descriptions.

THIS WARRANTY IS EXPRESSLY IN LIEU OF ALL OTHER WARRANTIES, EXPRESS OR IMPLIED. THERE ARE NO IMPLIED WARRANTIES OF MERCHANTABILITY OR FITNESS FOR A PARTICULAR PURPOSE. THIS WARRANTY STATES VALLEY CRAFT'S ENTIRE AND EXCLUSIVE LIABILITY, AND BUYER'S EXCLUSIVE REMEDY FOR ANY CLAIM FOR DAMAGES IN CONNECTION WITH VALLEY CRAFT PRODUCTS, THEIR DESIGN, SUITABILITY FOR USE, INSTALLATION OR OPERATION OR FOR ANY CLAIMED DEFECTS. VALLEY CRAFT WILL IN NO EVENT BE LIABLE FOR INCIDENTAL OR CONSEQUENTIAL DAMAGES WHATSOEVER, NOR FOR ANY SUM IN EXCESS OF THE PRICE RECEIVED FOR THE GOODS FOR WHICH LIABILITY IS CLAIMED.

### Technical Assistance/Warranty Procedure

#### What's Covered:

- Parts and Labor to correct manufacturer's defect within one year of purchase.
- Freight Cost

#### What's Not:

- Normal wear items (seal kits, bearings, tires, etc.)

#### What Voids the Warranty:

- Dirt/Grime that directly causes malfunction of product
- Abuse (i.e. Overloading, damaged, not properly maintained, etc.)
- Product altered by customer

\*See "Items not Under Warranty" below for items that have the warranty voided.

#### Items Under Warranty (less than one year old):

- Warranty replacement parts are provided only when the problem can be identified with near certainty. If not, the customer will return item to Valley Craft, freight collect, for troubleshooting and/or repair. When repaired, product will be returned to customer, freight prepaid. Otherwise, customer may call local authorized service technician for assistance. Under this arrangement, replacement parts will be sent at no charge but labor costs will NOT be covered.

#### Items NOT Under Warranty (greater than one year old or \*having warranty voided):

- Customer will return item to Valley Craft, freight prepaid, for troubleshooting and/or repair. Valley Craft will call customer with \$\$ estimate of parts and labor for approval before repairing. Product will be returned to customer, freight collect.

Or

- Customer may call local authorized service technician for repairs at their own expense.

Z4008 1A7