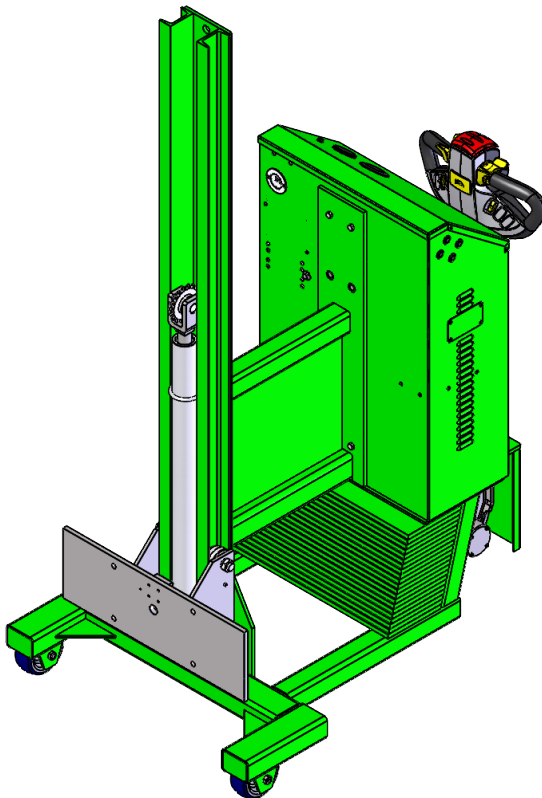


SOLUTIONS TO SIMPLIFY YOUR WORKLOAD

Material Handling, Storage & Specialized Equipment



VERSALIFT-78/SAE/POWERDRIVE/CW F80136A9



Notice to Purchaser

All statements, technical information, and recommendations related to Valley Craft's products are based on information believed to be reliable, but the accuracy or completeness is not guaranteed. Before using this product, you must determine if it is suitable for your intended application or situation. You assume all risks and liability associated with such use or implementation.

Product Testing

We perform vigorous in-house safety and durability testing to ensure that the performance of our products meets the demands of the workplace. We also expect the same from manufacturers who supply components for our products. We do this to ensure that Valley Craft is a name that our customers trust and associate with quality.

Publication Revision Notice

Following is a history of changes to this publication, including the current revision.

Previously Updated: 07/20

Last Updated: 11/20

Copyright Notice

© Valley Craft, Inc. All rights reserved. No part of this publication may be reproduced, photocopied, stored on a retrieval system, or transmitted without the express written consent of Valley Craft.

Trademarks

The Valley Craft logo is a Valley Craft Trademark. All other company or product names are trademarks or registered trademarks of their respective owners. Use of a term in this document should not be regarded as affecting the validity of any trademark or service mark.

■ Table of Contents

Safety	4-6
• Safety Overview	4
• Safety Message Conventions.....	5
• Material Safety Data.....	6
Unpacking and Assembly	7
• Receiving and Inspection	7
Operation	7
• Initial Startup Procedures	7
• Tiller-Head.....	8
• Battery Discharge Guage.....	9
• Charging Batteries.....	10
Maintenance and Adjustments	11
• Maintenance and Adjustment Procedures.....	11
Troubleshooting	12
• Trouble Shooting Procedures.....	12
Replacement	13
• Replacement Procedures	13
Parts List	14-18
• F80136A9 ASSY	14
• F80136A9 BOM.....	15
• F69443A9 ASSY	16
• F69443A9 BOM.....	17
• F64367A4 ASSY/BOM	18
Equipment Drawings	19-21
• Hydraulic Power Unit	19
• Hydraulic	20
• Electrical.....	21
Warranty	22
• Warranty.....	22

Safety

Read and understand all safety information and become familiar with all safety symbols contained in this section before moving, operating or performing maintenance on this equipment.

■ Safety Overview

The following general safety precautions must be observed during all phases of operation, service, and repair of this equipment. Failure to comply with these precautions or with specific safety messages elsewhere in this manual may impair the protection provided by the equipment. Such noncompliance would also violate safety standards of design, manufacture, and intended use of the instrument.

- Observe all safety signs posted in your facility.
- Observe warnings, cautions, handling information, storage requirements and other information on all container labels.
- Wear safety glasses with side shields.
- Wear the proper protective clothing, gloves and other protective equipment before handling any chemicals.
- Group the containers for the move by Hazard Class. Do not move acids with toxics, or oxidizers.
- Use maximum care and good judgment in preventing accidents and injuries and seeking first aid.
- Report unsafe conditions, equipment, practices, and on-job injuries.
- Understand your supervisor's instructions. Ask questions if you do not know how to do the job safely.
- Do not engage in tasks which you believe might be unsafe without consulting your supervisor.
- Clean up the work area and equipment upon job completion.
- Before you start work on any electrical system or circuit, check all power sources to ensure that the system or circuit is de-energized.
- Know the hazardous or potentially hazardous substances you work with or are present in your work area. Review Material Safety Data Sheets (MSDS) on these substances, or contact your supervisor.

■ Safety Message Conventions

Three types of safety notices may be contained in this manual: **Danger**, **Warning** and **Caution** notices. These notices precede the procedural step or portion of text that presents the safety hazard.



DANGER

- **DANGER** indicates an imminently hazardous situation which, if not avoided, will result in death or serious injury. This signal word is to be limited to the most extreme situations.
-



WARNING

- **WARNING** indicates a potentially hazardous situation which, if not avoided, could result in death or serious injury.
-



CAUTION

- **CAUTION** indicates a potentially hazardous situation which, if not avoided, may result in minor or moderate injury. It may also be used to alert against unsafe practices
-

■ Material Safety Data Sheets (MSDS)

A Material Safety Data Sheet (MSDS) provides information on the safe use, handling and potential hazards of a product. This information assists with the proper response in the event of an emergency.

Valley Craft maintains material safety data sheets (MSDSs) on all our products. You are urged to obtain copies of the relevant MSDSs before using our products to protect yourself and others against any known health or safety hazards described in these MSDSs. Valley Craft strives to make safety a top priority. Do not hesitate to contact us to discuss any safety aspects of our products.

The relevant MSDS codes for Valley Craft products are listed below.

- <http://www.cam2.com/>
CAM2 Transmission Fluid, SDS
Super-Sta Grease, MSDS Code 775440
- www.batteriesplus.com
Sealed Lead Acid Battery
SLA for English version
SLA Sp for the Spanish version
- [Paint](#)
Contact Valley Craft Customer Service at 1-800-328-1480 or
on the Web at customerservice@valleycraft.com

■ Additional Safety Information

As with any mechanical device, care must be taken during the installation, operation, and maintenance of the device in order to realize the maximum benefit from its ownership.

Note: All personnel involved in the use and maintenance of this device should be thoroughly familiar with the information contained in this manual. Furthermore, it is recommended that all personnel be given adequate instruction and a sufficient period of training in its actual use to insure safety of personnel and proper care of the equipment. It is suggested that the units be initially operated empty until becoming familiar with operation of this unit.

■ Receiving and Inspecting

When unpacking the equipment, inspect for signs of damage or mishandling. If damage is noted, file a damage claim with the carrier within 24 hours and call Valley Craft at 1-800-328-1480. Do not attempt to use the equipment.

Compare the contents of the shipment with the bill of lading. Report any missing items to the carrier and to Valley Craft immediately.

■ Operating Procedures

Only authorized and trained personnel should be permitted to use this equipment. Improper use may result in personal injury and/or damaged to the unit and surrounding property.

- **Before operating the unit for the first time, remove the red plastic plug in the hydraulic reservoir and replace with the black breather cap supplied with the unit.**
-

1. Turn portable lift on.
2. Position the portable lift next to attachment.
3. Connect attachment.

■ Operating Procedures Tiller-Head

Operating the Tiller-head

1. Turn key switch on.
2. Wig wag switch controls direction of drive wheel. Push wig wag forward for wheel to drive forward. Opposite for reverse.
3. Red belly button switch stops unit in reverse if operator is pinched between wall and switch.
4. Horn pushbutton activates audible noise to alert coworkers of a moving piece of equipment.
5. Hydraulic functions are actuated by rocker switches.



VERSALIFT-78/SAE/POWERDRIVE/CW

■ Operating Procedures Z20836A7 GAUGE-BATTERY DISCHARGE



Configuring Your Gauge

Access to these operations is sequential in this order. Adjustments of the following functions can be performed in the configuration mode.

1. Time-of-Day Clock

During configuration, the right button is used to increment. The left button is used to

1. Enter a selection
2. Advance to the next configurable item

If no change is desired to a specific gauge function, continue to press the left button until the next desired function is reached. The time-of-day clock is entered by setting the hours digits between 01 and 12, then 'minutes' digits between 00 and 59.

Setting the Time-of-Day Clock

The display will flash the two 'hours' digits. Press the right button to increment by one hour, or hold the button to increment continuously. When the desired number of hours is reached, press the left button once. The display will flash the two 'minutes' digits. Press the right button to increment by one minute or hold the button to increment continuously. When the desired number of minutes is reached, press the left button once.

Configuration Notes

The gauge remains in configuration mode for 30 seconds without input from the user. When configuring each function you must enter in all data for that function for it to be saved. If incomplete data is entered for a function and the programming mode is timed out (after 30 seconds of no input received by the gauge), the gauge will revert back to what was previously stored for that item.

Exiting Configuration Mode

The configuration mode can be exited in three ways?

1. Press and hold the left button for three seconds.
2. Leave buttons untouched for 30 seconds.
3. Press the left button after selecting the last (right) digit of the last function available.

Toggle Display Functions

Press the left button to sequentially toggle between the three numeric gauge functions (time-of-day clock, maintenance hours, total hours).

LCD Icons

1. Hourglass Icon – Turned on (not blinking) to indicate that an hour meter is displayed in the numeric display. Flashes to indicate hour meter accumulation.
2. Battery Icon – Turned on (not blinking) to indicate function. It flashes when a low condition is detected.
3. Colon – Flashes to indicate that the time-of-day clock is being displayed in the numeric display and that time is counting-up.
4. Decimal Point – To indicate 1/10 of a volt for the BDI profile.
5. Percent – Indicates remaining percentage of interval or level.

Troubleshooting

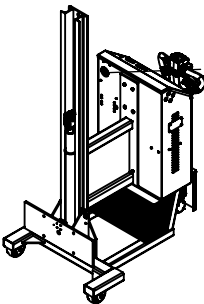
Problem	Possible Causes
No display	Terminals not connected Improper voltage
Stays at full	Instrument voltage does not match battery voltage V+ connected to wrong terminal
Will not reset	Instrument voltage does not match battery voltage Battery not fully charged Defective battery
Resets without charging	Not connected to battery terminal
Empty too soon	V+ connected to wrong terminal Instrument voltage does not match battery voltage Terminals not connected to battery
Cannot configure	No power to the setup enable pin

■ Charging Batteries

1. Always turn the key to the “off” position when unit is not in use.
2. To charge your battery, plug a grounded extension cord into the built-in receptacle in the Control Box and an outlet (see below).
3. The battery will charge automatically after the charger is plugged in and can be left unattended.
 - Batteries will generally require equal charging to work time.
4. Keep the charger plugged in to maintain a full battery level when the unit is not being used.

NOTES:

- See charger **MANUAL** for **SAFETY PRECAUTIONS** and charger **TROUBLESHOOTING**.
- **DO NOT USE BATTERIES UNTIL THEY ARE TOTALLY DISCHARGED.**
 - i. Doing so may damage your battery.
 - ii. For maximum battery life, your unit is equipped with a charger that collects information from the battery and adjusts the current and voltage accordingly. If your battery voltage drops below a certain threshold the charger will not charge the battery.
- If the battery becomes discharged and won't charge by ordinary means, a suggested solution is to “trick” the charger into reading a higher voltage from the battery. To do this connect a second, well-charged battery (12.4 volts or greater) in parallel with the dead battery-positive to positive, negative to negative. Then plug in your charger and charge the combination until the dead battery has enough voltage to enable being charged by itself.



Maintenance and Adjustments

■ Maintenance and Adjustment Procedures

To keep this unit operating properly, timely maintenance and adjustments are required. These procedures should be performed only by qualified personnel who are familiar with the equipment.

Maintenance and adjustment procedures are shown in Table 1.

Table 1. Maintenance and Adjustment Procedures

Component	Frequency	Operation	Procedure
Wheels	Daily	Visually Inspect	Check the wheels to ensure they are not damaged or loose.
Lift Chain	Daily	Visually Inspect	Inspect the roller chain and mounts for any sign of damage or wear. Replace as required.
Batteries	Daily	Visually Inspect	Inspect batteries to ensure they are fully charged and free from damage
Hydraulic Fluid	Quarterly	Check level	Remove the back panel of the control box and ensure the hydraulic reservoir is approximately $\frac{3}{4}$ full. Re-fill if required.
	Yearly	Replace fluid	Remove hydraulic reservoir, clean and refill with new hydraulic fluid.
Hydraulic System	At Start of Shift	Operate	Fully extend lift cylinder to purge oil from rod end of the cylinder

Troubleshooting

■ Troubleshooting Procedures

This unit is a quality product that is designed and manufactured to provide prolonged service under normal operating conditions. If troubleshooting is required, it should be performed only by qualified personnel who are familiar with the equipment.

Issue	Possible Cause	Procedure
Unit won't power on.	Dead batteries	Plug unit in and allow it to charge fully.
	Bad Connection	Have electrician trace power wires to find faulty connection.
Unit has power but hydraulic pump motor wont run.	Bad connection or blown fuse.	Have electrician ensure that power is being supplied all the way to the motor.
	Faulty start relay	Ensure the start relay inside the motor electrical enclosure is functioning properly
	Faulty Motor	Relay is supplying power to drive motor but still doesn't run. Contact Valley Craft for a replacement.

Replacement

■ Replacement Procedures

Occasionally, it will be necessary to replace a part that has been Damaged or worn. Many parts on this product are replaceable. If Replacement of a part is required, it should be performed only by Qualified personnel who are familiar with the equipment.

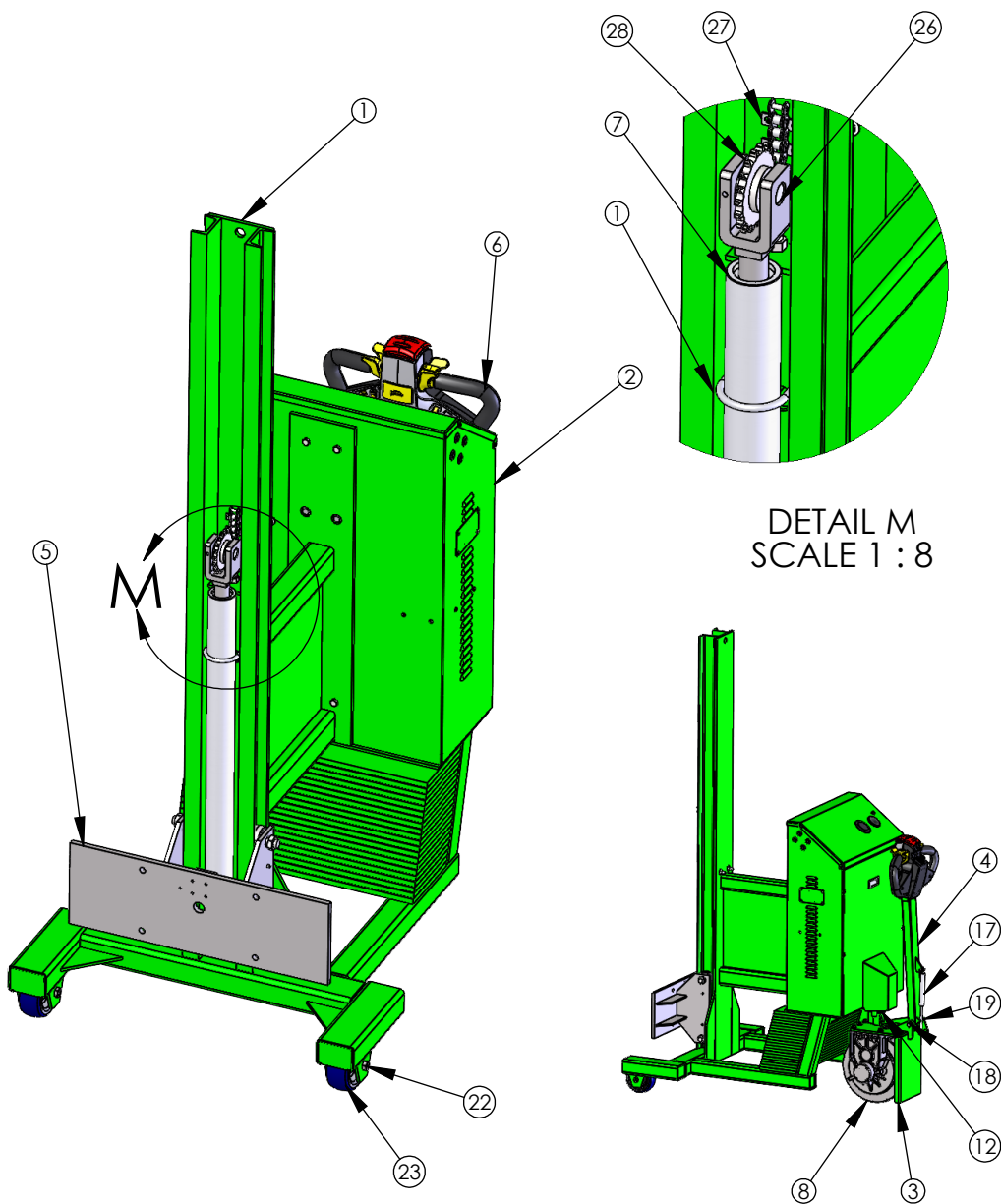
See pages 14-16 for available replacement parts. Identify the part number you need. Contact Valley Craft Customer Service at 1-800-328-1480 or on the Web at customerservice@valleycraft.com.

Information required when contacting Valley Craft:

- A. Company name and address
- B. Contact persons name
- C. Telephone number
- D. E-Mail address
- E. Model Number
- F. Date of manufacture
- G. Part number(s) of part(s) to be ordered

The model number and date of manufacture is stamped on a metal tag located on the mast of the unit.

VERSALIFT-78/SAE/POWERDRIVE/CW

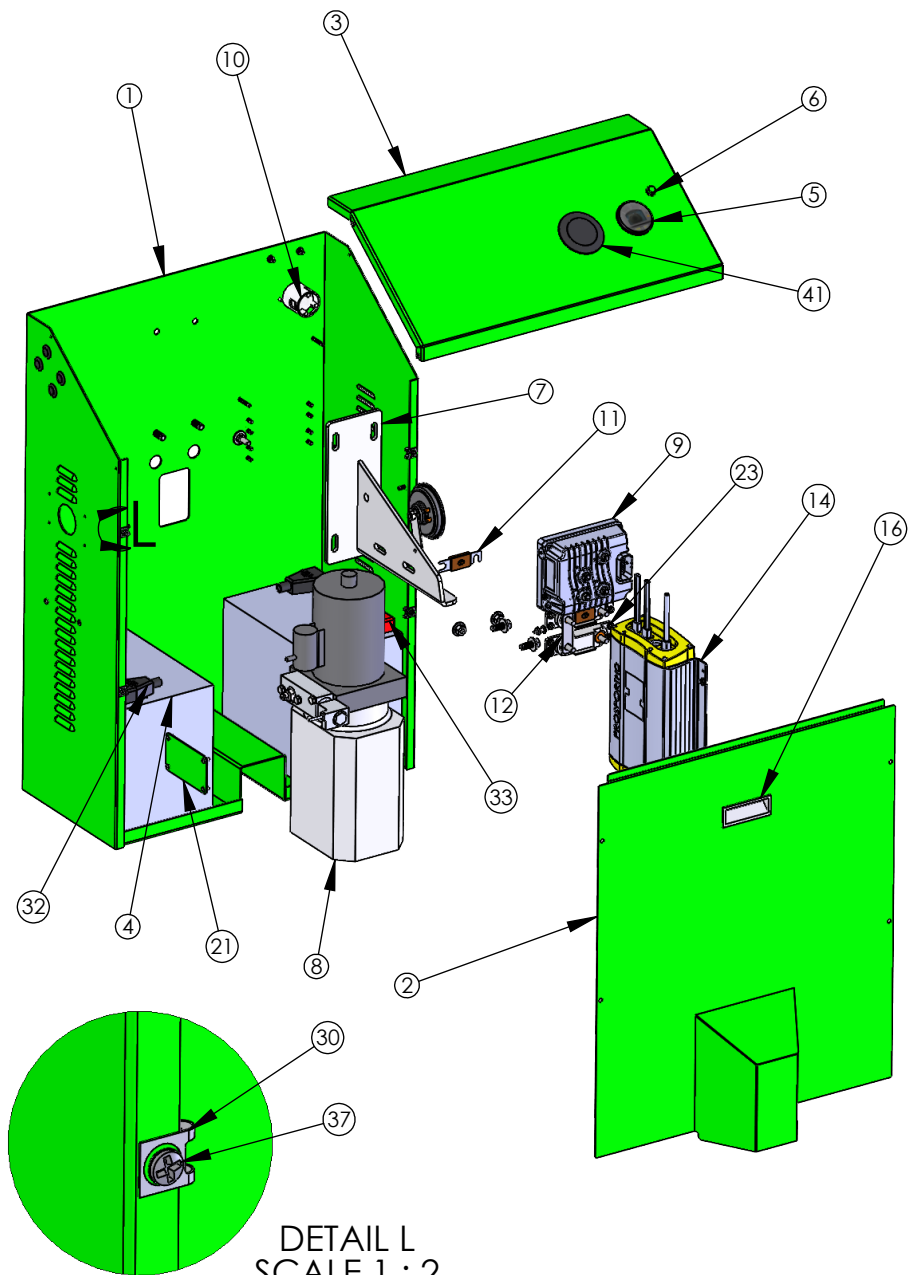


VERSALIFT-78/SAE/POWERDRIVE/CW

ITEM NO.	PART NUMBER	DESCRIPTION	
1	F69440A6	CW WLDMT-78/PD RL	1
2	F69443A9	PD CONTROL BOX ASSY VL	1
3	F68097A4	PIVOT WLDMT/POWER DRIVE	1
4	F68098A3	TILLER WLDMT/POWER DRIVE	1
5	F64367A4	BACK PL ASSY	1
6	Z20823A0	TILLER HEAD/PD	1
7	Z20753A0	CYL ASSY-78 SAE	1
8	Z20827A6	WHL ASSY-12/PD	1
9	Z10201A5	WASHER-5/16 FLAT USS	12
10	Z10214A0	WASHER-3/8 LOCK MD	6
11	Z10530A8	S-HHC 3/8-16x1-1/4	10
12	Z20830A3	BRG-BRZ-FLG 1.25X1.50X1.50	2
13	Z10534A4	RING-RTNG 1-1/4	1
14	Z20813A0	GROMMET-.75IDX1.06HOLEX.25TH	2
15	Z10432A6	BALL-STUD 5/16-18 UNC	2
16	Z10036A6	NUT-HEX KEPS 5/16-18	1
17	Z20825A8	SPRING-GAS/120LBS	1
18	F58422A4	RD-.63/AXLE TILLER (KANBAN)	1
19	Z20828A5	BRG-BRZ-FLG .63X.88X1.00	2
20	Z20826A7	RING-RTNG EXTERNAL 5/8	2
21	Z20814A9	GROMMET-.75IDX1.13HOLEX.09TH	1
22	Z11687A2	AXLE BOLT 1/2-13 X 3-3/8	2
23	Z30443A1	WHL-5 x 2 PAL	2
24	Z10045A5	NUT-NYL NE 5/16-18	2
25	Z10241A7	BOLT-U 5/16-18 X 2-1/2	1
26	F52067A6	PIN-CLEVIS 1.00X2.375 (KANBAN)	1
27	F60860A8	RLR CHAIN ASSY-78	1
28	F63091A3	SPROCKET ASSY-50C18 BRG 1.01 (purchased)	1
29	Z10020A4	NUT-HEX FULL 1/2-13	2
30	Z10072A1	PIN-SPG 1/4X1-1/2	1
31	Z10500A7	NUT-HEX KEPS 3/8-16	4
32	Z10200A6	WASHER-1/4 FLAT USS	2
33	Z10043A7	NUT-NYL NE 1/4-20	2
34	Z10112A3	S-HHC 1/4-20X1	2
35	F57496	CHAIN SPACER	1
36	Z10207A9	WASHER-1/4 LOCK INT TOOTH	4
37	Z11690A5	S-SHC 1/4-20X1-1/2 GR8	4

F80136A9
VERSALIFT-78/SAE/POWERDRIVE/CW

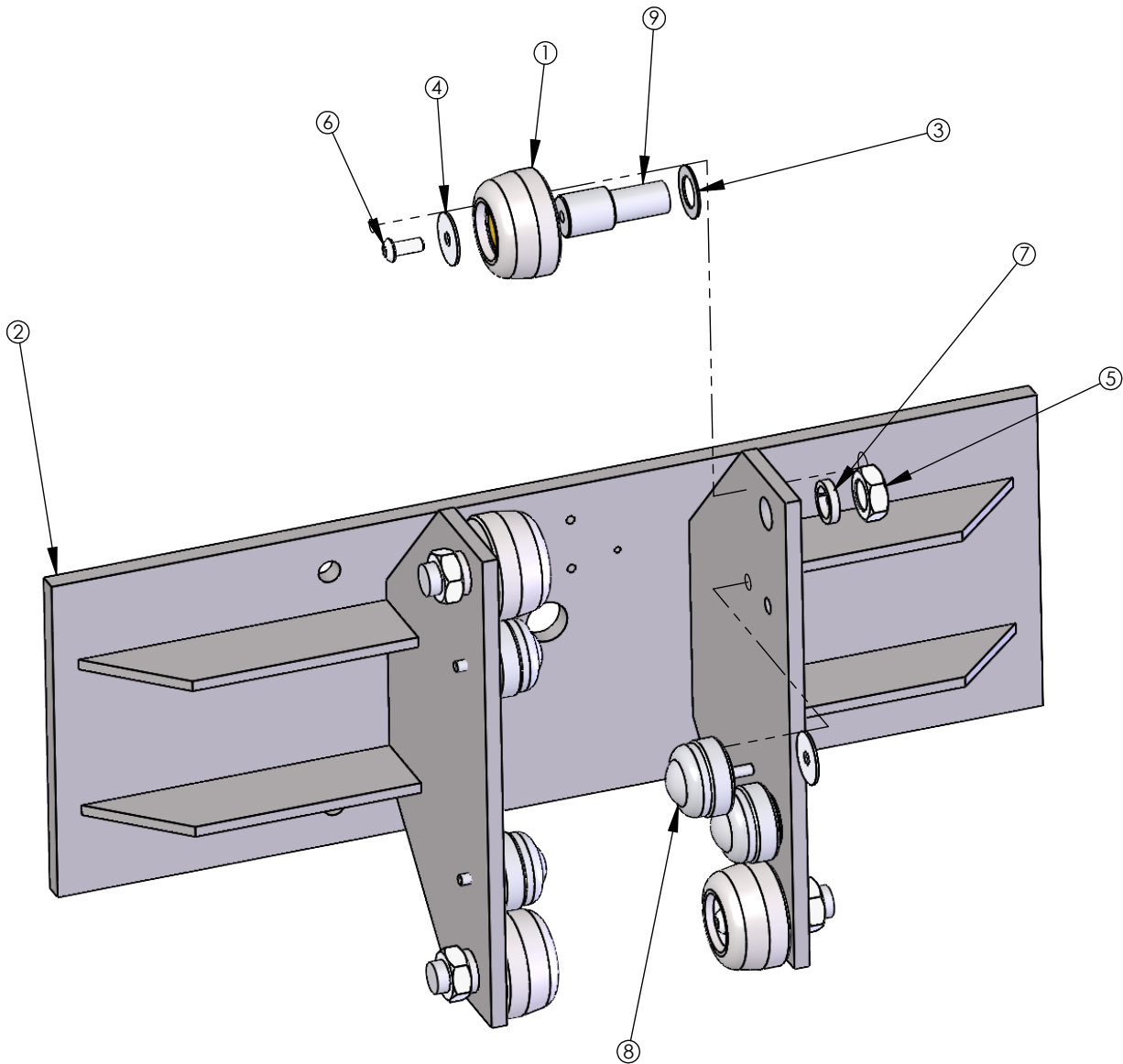
VERSALIFT-78/SAE/POWERDRIVE/CW



VERSALIFT-78/SAE/POWERDRIVE/CW

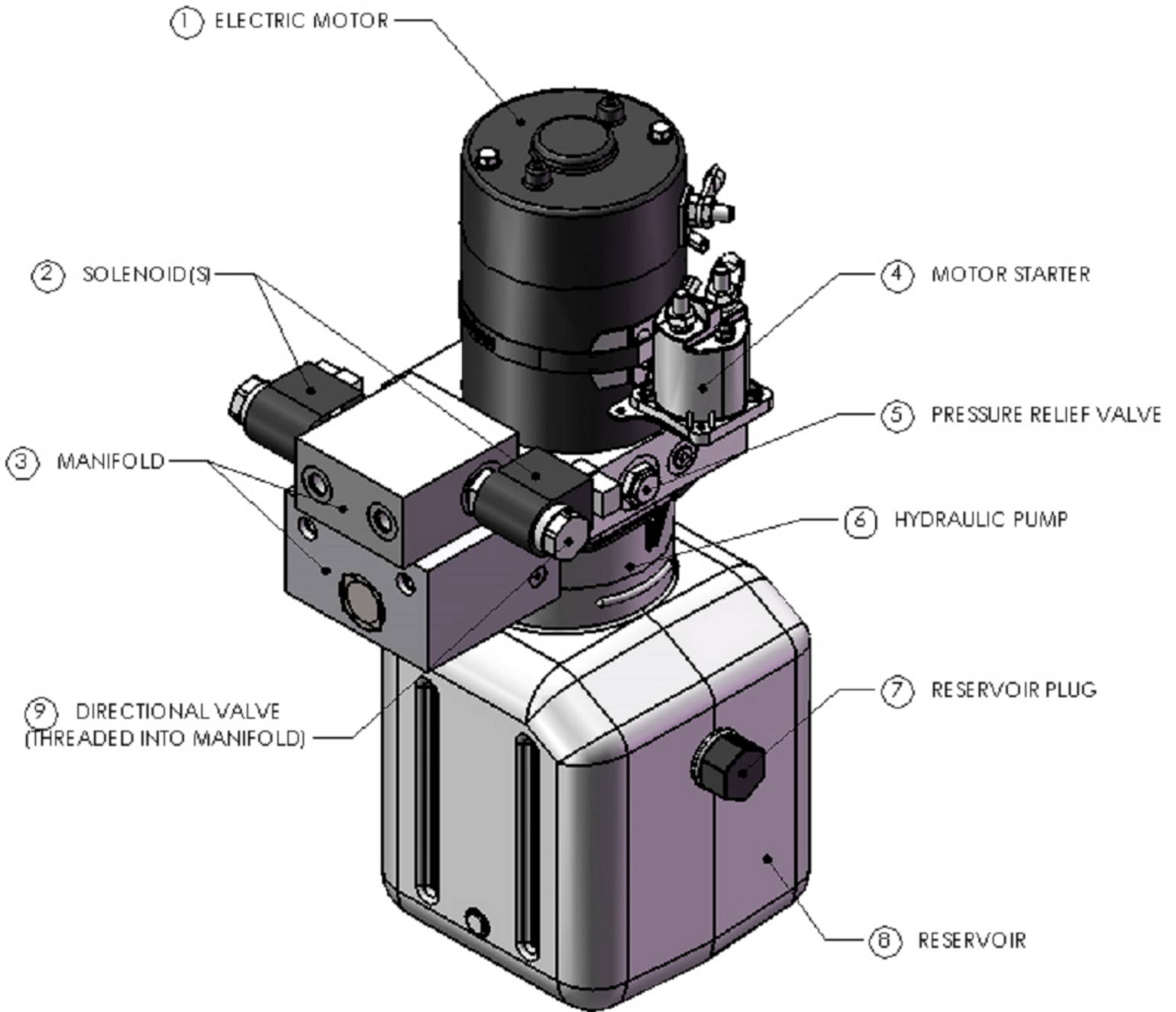
ITEM NO.	PART NUMBER	DESCRIPTION	QTY.
1	F69417A3	CONTROL BOX WELDMNT TM	1
2	F69416A2	CVR CNTR WLDMT/PD TELE	1
3	F51635	TOP-CRTL BOX/PL PD TM	1
4	Z00172A5	BATTERY-12V 80AH SEALED LEAD	2
5	Z20836A7	GAUGE-BATTERY DISCHARGE	1
6	Z20817A6	LIGHT-INDICATOR LED GRN 24V	1
7	F68096A5	PUMP MNT WLDMT/POWER DRIVE	1
8	F60557A8	PP-2POS/2WAY 24V	1
9	Z20899A4	CONTROLLER/PD CURTIS 1229 (PROGRAMMED)	1
10	Z00120A4	PLUG-FLGD INLET 125V	1
11	Z20839A4	FUSE-ANL	2
12	F58408A6	SHT-14G/FUSE JUMPER	1
13	Z20820A3	FUSE-HLDR ANL	2
14	Z20362A2	CHRGR-BATTERY 12/24 120VAC	1
15	Z20815A8	HORN-24V	1
16	Z30415A5	HDL PCKT PULL PLST 3.25X1.41	1
17	Z10132A9	S-HHC 3/8-16X1	4
18	Z10201A5	WASHER-5/16 FLAT USS	8
19	Z10214A0	WASHER-3/8 LOCK MD	2
20	Z10385A3	S-PTHM #8x3/8 LG	10
21	F51398	CVR-PD PRES GAUGE (Kanban)	1
22	Z10176A6	S-RHM #10-24X1/2	14
23	Z10391A5	NUT-HEX KEPS #10-24	14
24	Z10572A2	S-RHM # 8-32X1-1/4	2
25	Z10382A6	NUT-HEX KEPS #8-32 ZP	6
26	Z10036A6	NUT-HEX KEPS 5/16-18	1
27	Z10124A9	S-HHC 5/16-18X1-1/4	1
28	Z10463A8	S-PTHM #8-32x3/8	4
29	Z10500A7	NUT-HEX KEPS 3/8-16	2
30	Z11698A3	CLIP ON RETAINER	4
31	90386A101	SFHHS-M6-1X16MM (LEAN-TEC)	4
32	Z20843A8	BATTERY TERMINAL COVER-BLACK	2
33	Z20844A7	BATTERY TERMINAL COVER-RED	2
34	Z10299A8	WASHER-3/16 FLAT SAE	2
35	Z10045A5	NUT-NYLOCK #10-24	1
36	Z51462A8	S-PPHM #10-24X3/4 SS	1
37	Z11701A6	RETAINER 1/4 TURN	4
38	Z11700A5	PUSH-ON RETAINER	4
39	Z11699A4	EJECTOR SPRING	4
40	9750K22	PLUG-HOLE .5	4
41	Z11560A5	GROMMET-PLUG 2-1/2	1

VERSALIFT-78/SAE/POWERDRIVE/CW



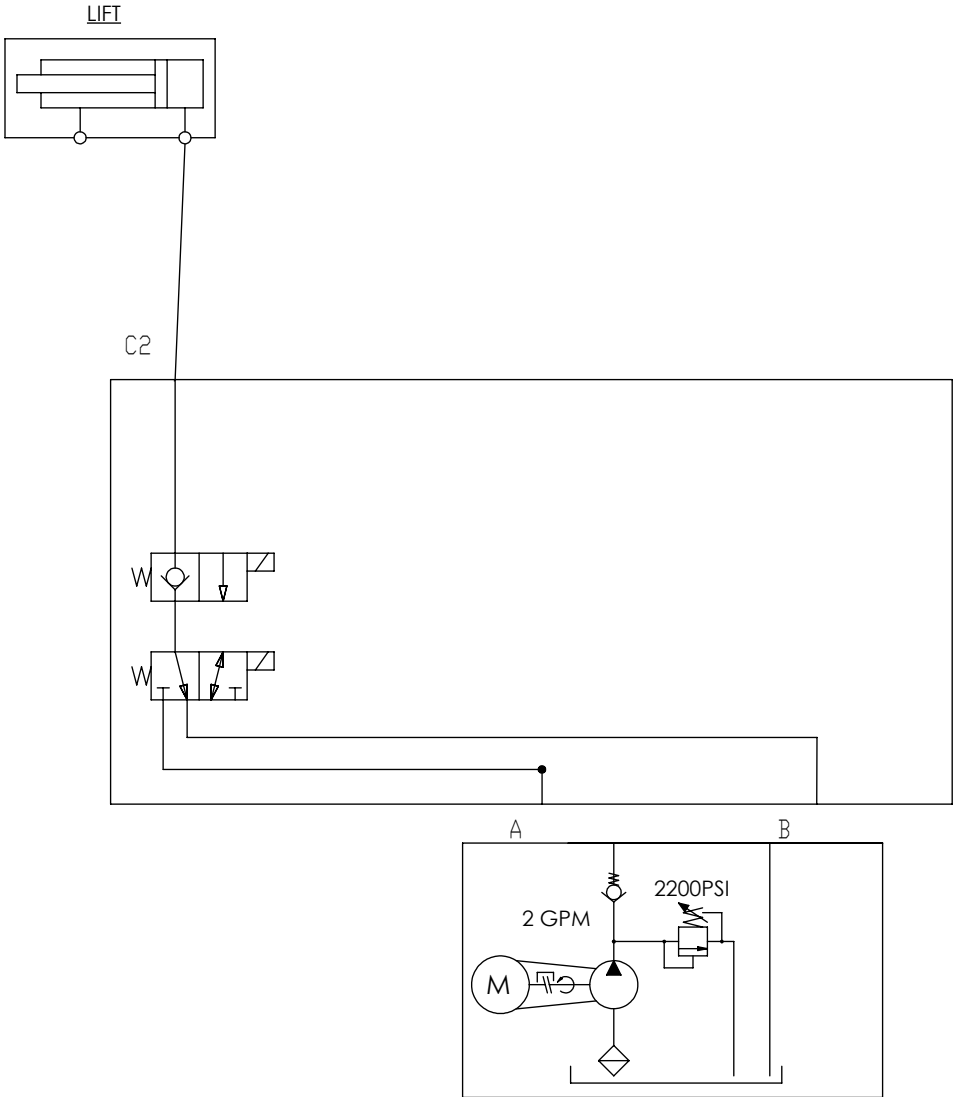
ITEM NO.	PART NUMBER	DESCRIPTION	QTY.
1	F64056A3	GUIDE RLR-BRG ASSY	4
2	F64335A6	BACK PL WLDMT	1
3	Z10008A0	BUSH-MACH 6H 3/4x18GAx1-1/4 OD	4
4	Z10042A8	WASHER-5/16 FNDR X 1-1/4 OD	8
5	Z10461A0	NUT-HEX JAM 3/4-16	4
6	Z10539A9	S-BHSC 5/16-18x3/4	4
7	Z10594A0	WASHER-3/4 LOCK MD	4
8	Z30700A8	BALL TRANSFER-STUD MNT 1/4-20	4
9	Z51355A9	GUIDE BOLT-3/4-16 1.00X1.14	4

HYDRAULIC POWER UNIT

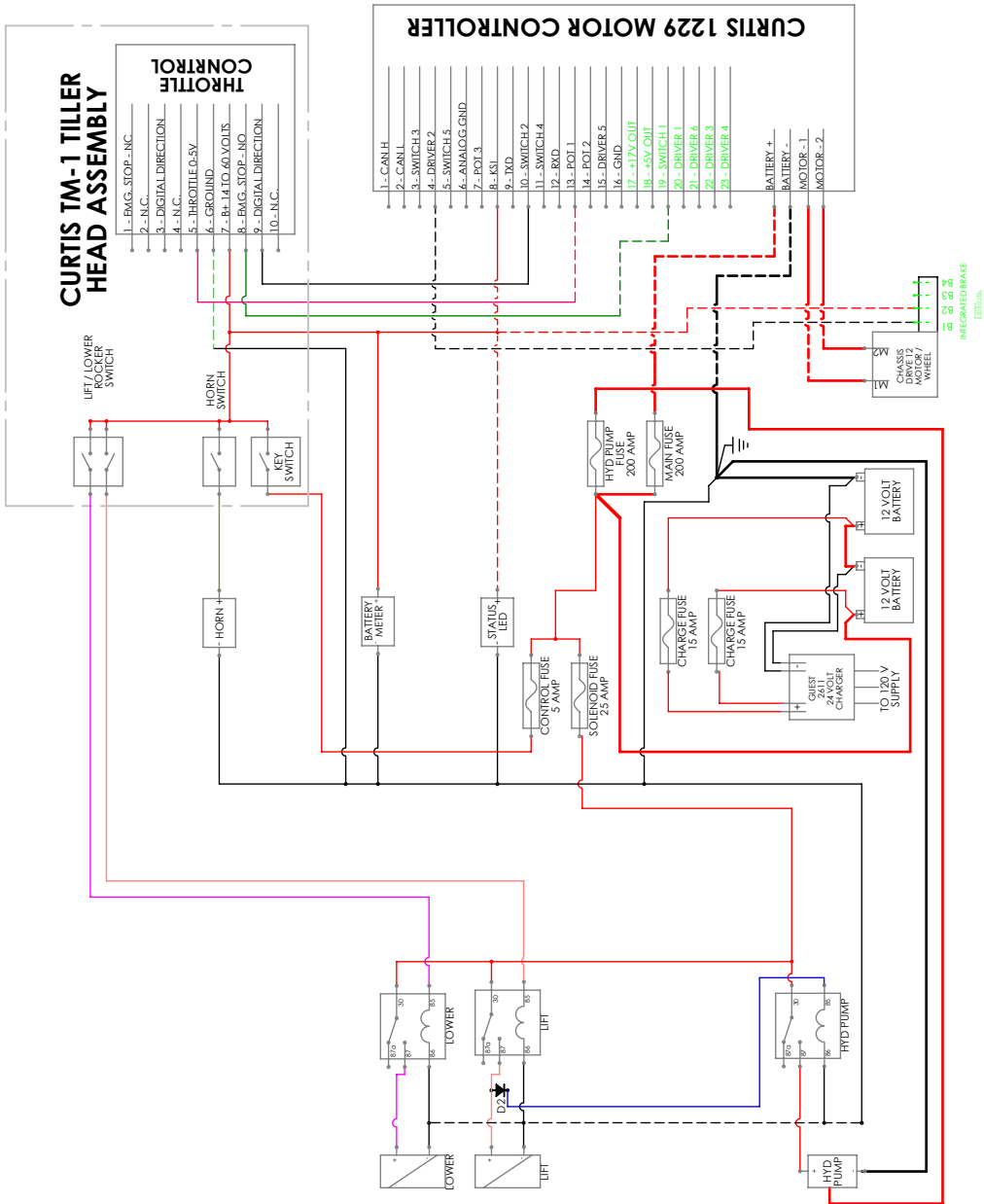


HYDRAULIC POWER UNIT SHOWN FOR REFERENCE ONLY; YOUR ACTUAL UNIT MAY VARY. FOR QUESTIONS, PLEASE CONTACT VALLEY CRAFT CUSTOMER SERVICE AT 1-800-328-1480 OR ON THE WEB AT [CUSTOMER@VALLEYCRAFT.COM](mailto:customer@valleycraft.com)

VERSALIFT-78/SAE/POWERDRIVE/CW



VERSALIFT-78/SAE/POWERDRIVE/CW



Warranty and Limitation of Liability

Valley Craft products are warranted for a period of one (1) year from date of shipment from Valley Craft's plant to be free from defects in material and workmanship under correct use, normal operation and proper application. However, parts of other than Valley Craft manufacture are subject ONLY to the original manufacturer's warranty. Valley Craft's obligation under warranty shall be limited to repair or exchange, at Valley Craft's option, FOB origin factory, of any Valley Craft product or part which proves to be defective as provided herein. Valley Craft reserves the right to either inspect the product at Buyer's location, or require it to be returned to the factory for inspection. The warranty contained herein does not extend to goods damaged, or subject to accident, abuse or misuse after shipment from Valley Craft's factory, nor to goods altered or repaired by anyone other than an authorized Valley Craft representative.

Buyer or user shall not alter, modify or use a Valley Craft product for anything other than its intended function. Valley Craft shall not in any way be responsible for the consequences of any such alteration, modification or misuse.

VALLEY CRAFT MAKES NO EXPRESS WARRANTIES OTHER THAN THOSE WHICH ARE SPECIFICALLY DESCRIBED HEREIN. Any description of the goods sold hereunder, including any references to Buyer's specifications and any descriptions in catalogs, circulars and other written material published by Valley Craft, is for the sole purpose of identifying such goods and shall not create an express warranty that the goods shall conform to such descriptions.

THIS WARRANTY IS EXPRESSLY IN LIEU OF ALL OTHER WARRANTIES, EXPRESS OR IMPLIED. THERE ARE NO IMPLIED WARRANTIES OF MERCHANTABILITY OR FITNESS FOR A PARTICULAR PURPOSE. THIS WARRANTY STATES VALLEY CRAFT'S ENTIRE AND EXCLUSIVE LIABILITY AND BUYER'S EXCLUSIVE REMEDY FOR ANY CLAIM OR DAMAGES IN CONNECTION WITH VALLEY CRAFT PRODUCTS, THEIR DESIGN. SUITABILITY FOR USE, INSTALLATION OR OPERATION OR FOR ANY CLAIMED DEFECTS. VALLEY CRAFT WILL IN NO EVENT BE LIABLE FOR INCIDENTAL OR CONSEQUENTIAL DAMAGES WHATSOEVER, NOR FOR ANY SUM IN EXCESS OF THE PRICE RECEIVED FOR THE GOODS FOR WHICH LIABILITY IS CLAIMED.

Technical Assistance/Warranty Procedure

What's Covered:

- Parts and Labor to correct manufacturer's defect within one year of purchase.
- Freight Cost

What's Not:

- Normal wear items (seal kits, bearings, tires, etc.)

What Voids the Warranty:

- Dirt/Grime that directly causes malfunction of product
- Abuse (i.e. Overloading, damaged, not properly maintained, etc.)
- Product altered by customer

*See "Items not Under Warranty" below for items that have the warranty voided.

Items Under Warranty (less than one year old):

- Warranty replacement parts are provided only when the problem can be identified with near certainty. If not, the customer will return item to Valley Craft, freight collect, for troubleshooting and/or repair. When repaired, product will be returned to customer,



Valley Craft is a modern metals fabricating manufacturer specializing in material handling, storage and specialized solutions designed with safety and usability in mind, and the simplification of even the heaviest of workloads. Since developing the first hand truck with a brake in 1952, Valley Craft has been a true pioneer in safety-conscious material handling and solution-driven products. Our commitment to continuous improvement in a Lean Manufacturing environment results in safe, functional, quality equipment at affordable prices.

Valley Craft Industries, Inc.
2001 South Highway 61
Lake City, MN 55041 U.S.A.

Phone: (651) 345-3386

Fax: (651) 345-6535

E-Mail: customerservice@valleycraft.com

Website: valleycraft.com