

# SOLUTIONS TO SIMPLIFY YOUR WORKLOAD

Drum Handling, Material Handling, Storage & Specialized Equipment

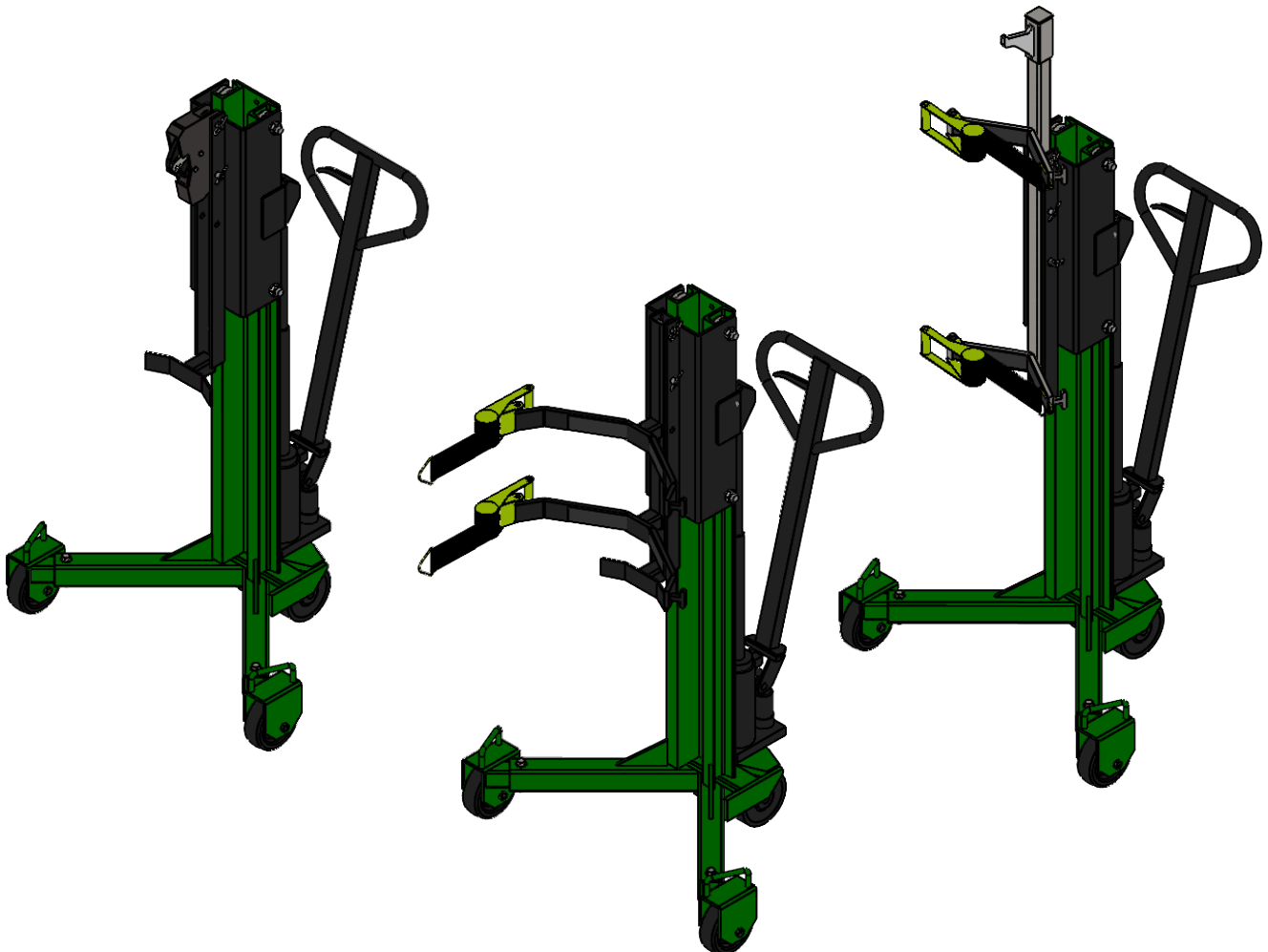


## BARREL HAWK III

F89265 - BEAK ASSY

F89264 - STRAP ASSY

F89263 - HARRIER ASSY



## **Notice to Purchaser**

All statements, technical information, and recommendations related to Valley Craft's products are based on information believed to be reliable, but the accuracy or completeness is not guaranteed. Before using this product, you must determine if it is suitable for your intended application or situation. You assume all risks and liability associated with such use or implementation.

## **Product Testing**

We perform vigorous in-house safety and durability testing to ensure that the performance of our products meets the demands of the workplace. We also expect the same from manufacturers who supply components for our products. We do this to ensure that Valley Craft is a name that our customers trust and associate with quality.

## **Publication Revision Notice**

Following is a history of changes to this publication, including the current revision.

Previously Updated: 1/17

Last Updated: 1/21

## **Copyright Notice**

© Valley Craft, Inc. All rights reserved. No part of this publication may be reproduced, photocopied, stored on a retrieval system, or transmitted without the express written consent of Valley Craft.

## **Trademarks**

The Valley Craft logo is a Valley Craft Trademark. All other company or product names are trademarks or registered trademarks of their respective owners. Use of a term in this document should not be regarded as affecting the validity of any trademark or service mark.

## Safety

*Read and understand all safety information and become familiar with all safety symbols contained in this section before moving, operating or performing maintenance on this equipment.*

### ■ Safety Overview

The following general safety precautions must be observed during all phases of operation, service, and repair of this equipment. Failure to comply with these precautions or with specific safety messages elsewhere in this manual may impair the protection provided by the equipment. Such noncompliance would also violate safety standards of design, manufacture, and intended use of the instrument.

- Observe all safety signs posted in your facility.
- Observe warnings, cautions, handling information, storage requirements and other information on all container labels.
- Wear safety glasses with side shields.
- Wear the proper protective clothing, gloves and other protective equipment before handling any chemicals.
- Group the containers for the move by Hazard Class. Do not move acids with toxics, or oxidizers.
- Use maximum care and good judgment in preventing accidents and injuries and seeking first aid.
- Report unsafe conditions, equipment, practices, and on-job injuries.
- Understand your supervisor's instructions. Ask questions if you do not know how to do the job safely.
- Do not engage in tasks which you believe might be unsafe without consulting your supervisor.
- Clean up the work area and equipment upon job completion.
- Before you start work on any electrical system or circuit, check all power sources to ensure that the system or circuit is de-energized.
- Know the hazardous or potentially hazardous substances you work with or are present in your work area. Review Material Safety Data Sheets (MSDS) on these substances, or contact your supervisor.

### ■ Material Safety Data Sheets (MSDS)

A Material Safety Data Sheet (MSDS) provides information on the safe use, handling and potential hazards of a product. This information assists with the proper response in the event of an emergency.

Valley Craft maintains material safety data sheets (MSDSs) on all our products. You are urged to obtain copies of the relevant MSDSs before using our products to protect yourself and others against any known health or safety hazards described in these MSDSs. Valley Craft strives to make safety a top priority. Do not hesitate to contact us to discuss any safety aspects of our products.

**The relevant MSDS codes for Valley Craft products are listed below.**

- [www.conocophillips.com](http://www.conocophillips.com)  
Super ATF Transmission Oil, MSDS Code 778846  
Super-Sta Grease, MSDS Code 775440
- [www.batteriesplus.com](http://www.batteriesplus.com)  
Sealed Lead Acid Battery  
SLA for English version  
SLA Sp for the Spanish version
- [Paint](#)  
Contact Valley Craft Customer Service at 1-800-328-1480 or on the Web at [customerservice@valleycraft.com](mailto:customerservice@valleycraft.com)

### ■ Additional Safety Information

As with any mechanical device, care must be taken during the installation, operation, and maintenance of the device in order to realize the maximum benefit from its ownership.

**Note:** All personnel involved in the use and maintenance of this device should be thoroughly familiar with the information contained in this manual. Furthermore, it is recommended that all personnel be given adequate instruction and a sufficient period of training in its actual use to insure safety of personnel and proper care of the equipment. It is suggested that the units be initially operated empty until becoming familiar with operation of this unit.

# BARREL HAWK III-BEAK ASSY

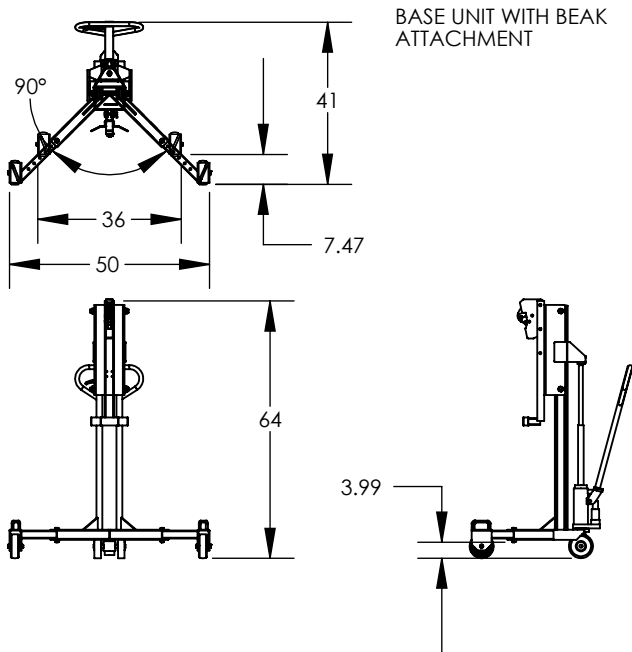
## Product Description

The Barrel Hawk III portable lift features 18" of lift height and 800lb lifting capacity. Equipped with adjustable legs and a hand operated pallet jack style hydraulic lift, the Barrel Hawk III is extremely versatile and maneuverable. The unit works with various size containers and performs many other pick-and-place tasks.

## Specifications

Table 1. Specifications

<b>Dimensions</b>	<b>41"Lx51"Wx64"H</b>
<b>Weight</b>	<b>300 lbs</b>
<b>Load Capacity</b>	<b>800 lbs</b>



### ■ Receiving and Inspecting

When unpacking the **Barrel Hawk III**, inspect the equipment for damage or mishandling. If damage is noted, file a damage claim with the carrier within 24 hours and call Valley Craft at 1-800-328-1480. Do not attempt to use the equipment.

Compare the contents of the shipment with the bill of lading. Report any missing items to the carrier and to Valley Craft immediately.

### ■ Operating Procedures

Only trained and authorized personnel should be permitted to use the **Barrel Hawk III** lift.

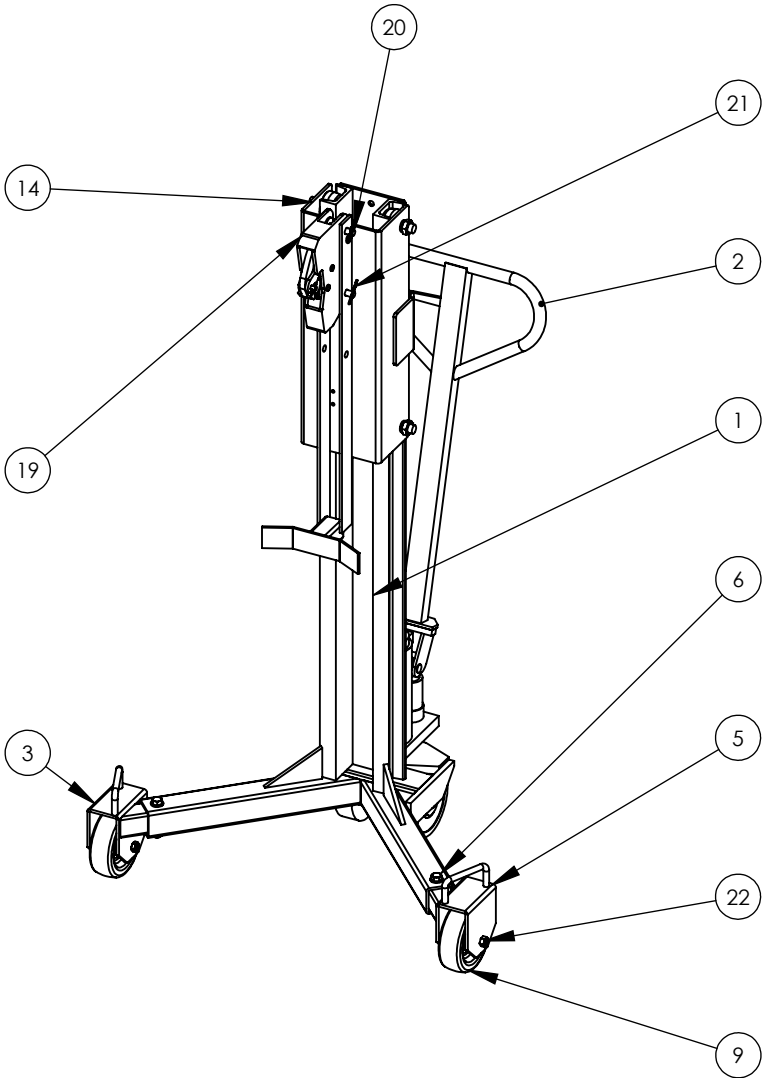
1. Ensure that the correct attachment has been selected for the type of pick-and-place operation you are about to perform. Also, make sure the quick release latch pin is fully engaged into the attachment's back plate.
2. Adjust the leg extension to ensure the front wheels are in front of the load center you are attempting to lift. Best practice is to keep the legs extended as far as possible to keep the lift stable while moving loads. Careful testing may be required to find the best placement for your specific application.



**Care should be taken to ensure that the load center is always behind the front wheels when adjusting the leg position. Overloading the lift or improper leg placement may cause the lift to tip over.**

3. Cycle the jack handle to raise the attachment to the required height.
4. Once the attachment is at the correct height, secure the load and again cycle the jack handle to raise it high enough to be moved.
5. When moving the load, always keep it close to the ground as practical. The Barrel Hawk II is also designed to be **pulled** by the operator on smooth flat floors. Operating on an **incline or pushing** the lift with a load suspended may cause the unit to tip. The unit should only be pushed as required to position the lift for loading and unloading.
6. After reaching the desired unload position, the operator may squeeze the release lever inside the handle and lower the load.

# BARREL HAWK III-BEAK ASSY



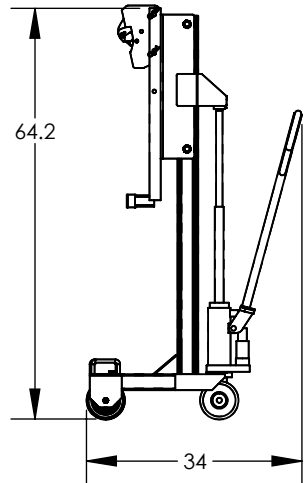
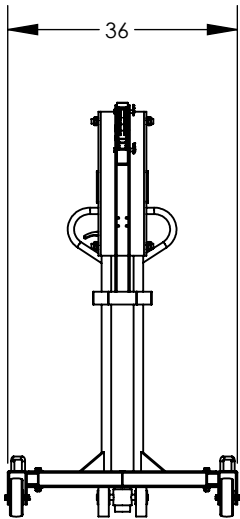
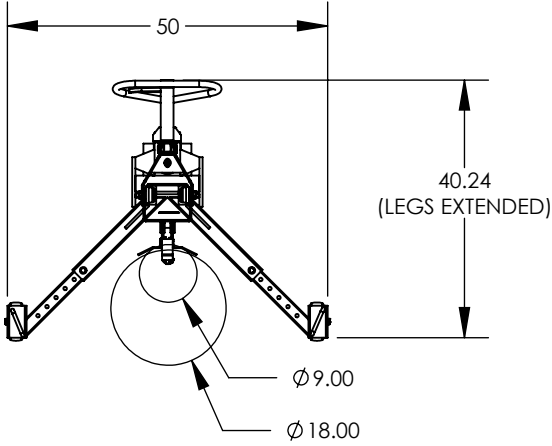
## BARREL HAWK III-BEAK ASSY

ITEM NO.	PART NUMBER	DESCRIPTION	QTY.
1	F69269A4	BARREL HAWK III FRM WLDMT	1
2	F51344	JL JACK ASSEMBLY HIGH LIFT	1
3	F68180	RIGHT TELES LEG WELDMNT	1
4	Z10525A3	BUSH-SPAN 3/4X1/2x2-7/16	2
5	F68181	LEFT TELES LEG WELDMNT	1
6	Z10585A9	S-HHC 1/2-13X3-1/4	2
7	Z10331A8	WASHER-1/2 FLAT SAE	5
8	Z10048A2	NUT-NYL NE 1/2-13	2
9	Z30135A4	WHL-6 x 2 U/P 3/4	2
10	F51345	THRUST WASHER 2"ID X 2.5"OD	2
11	Z40473A3	TAG/SERIAL NUMBER/PRINT 2 COLORS	1
12	Z40469A9	DECAL-LOAD CAP 800	1
13	Z41156A5	LABEL-VALLEYCRAFT PAPER	1
14	F69270A5	BARREL HAWK III ASSY-ATTMT	1
15	EP3248-09	WASHER-DISC SPRING-1 OD	2
16	F57318	CARRIAGE SOCKET	1
17	Z10619A5	S-SHLD 1/2X5/8	1
18	Z10110A5	S-HHC 1/4-20X3/4	1
19	F63877A5	BEAK ASSY (KANBAN)	1
20	Z30573A3	PIN-CLEVIS 1/2 X 3	2
21	Z10064A1	PIN-HITCH CLIP #16 1/8 X 1.44	2
22	Z11687A2	AXLE BOLT 1/2-13 X 3-3/8	2



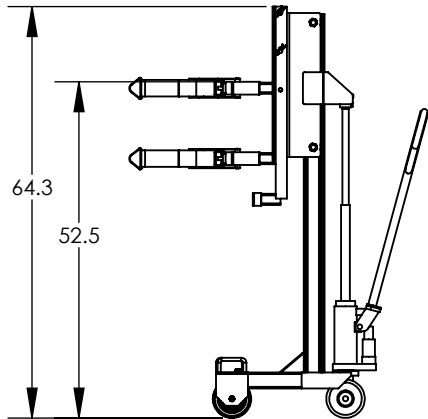
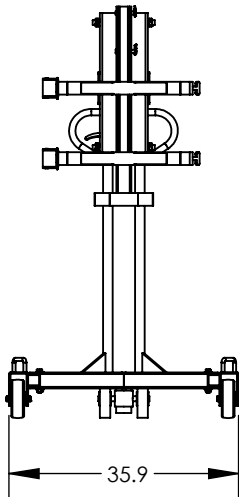
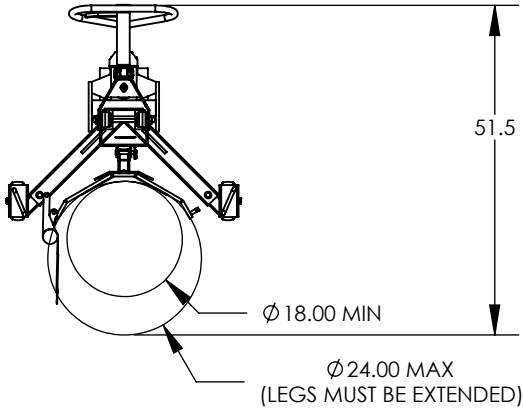
# BARREL HAWK III-BEAK ASSY

F89265 BEAK ASSY  
(BEAK ATTACHMENT INCLUDED)



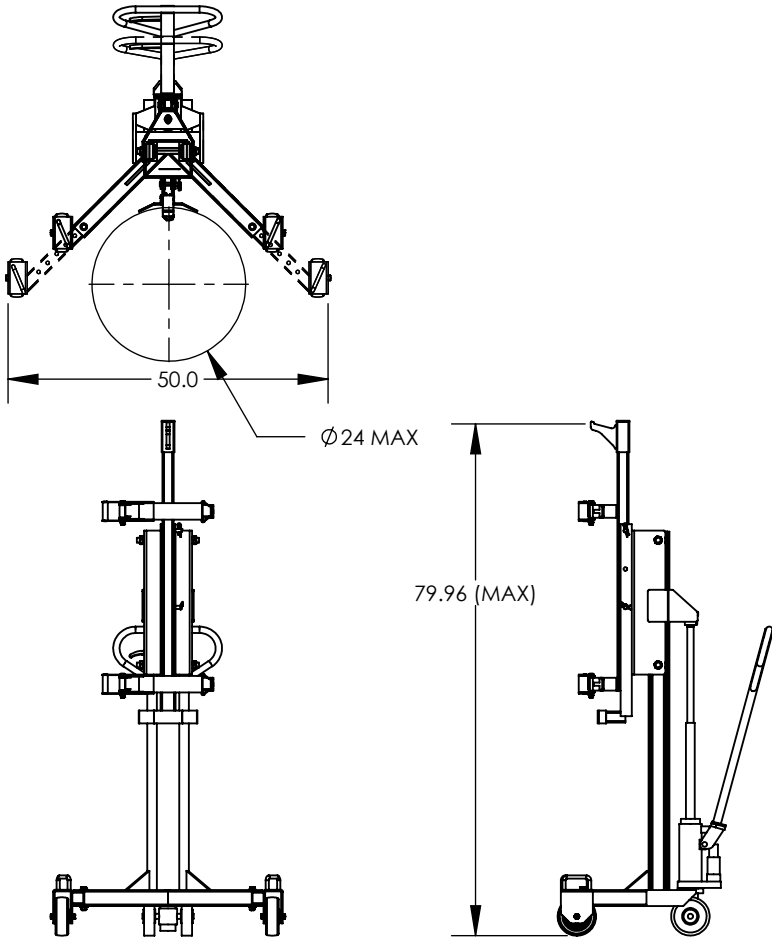
# BARREL HAWK III-BEAK ASSY

## F89264 STRAP ATTACHMENT (STRAP ATTACHMENT F64657A7)



# BARREL HAWK III-BEAK ASSY

F89263 HARRIER ATTACHMENT  
(F69282A7 HARRIER ATTACHMENT)



VIEW -  
SCALE 1 : 30

## Maintenance and Adjustments

### ■ Maintenance and Adjustment Procedures

To keep the **Barrel Hawk III** operating properly, timely maintenance and adjustments are required. These procedures should be performed only by qualified personnel who are familiar with the equipment.

Maintenance and adjustment procedures are shown in Table 1.

*Table 1. Maintenance and Adjustment Procedures*

Component	Frequency	Operation	Procedure
Wheels	Daily	Visually Inspect	Check the wheels for signs of damage before performing any lift.
Hydraulic Jack	Monthly	Check fluid level	Ensure the lift will lift completely. Add fluid as required.
	At Start of Shift	Operate	Fully extend lift cylinder to purge oil from rod end of the cylinder
Carriage rollers	Monthly	Check for signs of wear	Check the rollers for signs of wear or damage prior to performing any lift.
Nylon Straps	At Start of Shift	Visually Inspect	Check nylon straps for ware and replace as necessary

## Troubleshooting

### ■ Troubleshooting Procedures

The **Barrel Hawk III** is a quality product that is designed and manufactured to provide prolonged service under normal operating conditions. If troubleshooting is required, it should be performed only by qualified personnel who are familiar with the equipment.

Problem	Possible Cause	Corrective Action
Jack will not lift	Release linkage on handle to short.	Locate the release linkage adjustment knob on the handle. Turn counter clockwise until the jack lifts correctly.
	Low Fluid level.	Ensure there is adequate hydraulic fluid in the pump.
Jack will not lower	Release linkage on handle to long.	Tighten the linkage knob on the handle until the release lever operates correctly
	Worn or Damaged rollers.	Ensure the rollers are in good condition and are not damaged, causing the carriage to stick.
	Not enough weight on the carriage.	Insufficient weight on the carriage may prevent the unit from lowering.

## Replacement

### ■ Replacement Procedures

Occasionally, it will be necessary to replace a part that has been Damaged or worn. Many parts on this lift are replaceable. If Replacement of a part is required, it should be performed only by Qualified personnel who are familiar with the equipment.

See BOM for available replacement parts. Identify the part number you need. Contact Valley Craft Customer Service at 1-800-328-1480 or on the Web at [customerservice@valleycraft.com](mailto:customerservice@valleycraft.com).

Information required when contacting Valley Craft:

- A. Company name and address
- B. Contact persons name
- C. Telephone number
- D. E-Mail address
- E. Model Number
- F. Date of manufacture
- G. Part number(s) of part(s) to be ordered

## Warranty and Limitation of Liability

Valley Craft products are warranted for a period of one (1) year from date of shipment from Valley Craft's plant to be free from defects in material and workmanship under correct use, normal operation and proper application. However, parts of other than Valley Craft manufacture are subject ONLY to the original manufacturer's warranty. Valley Craft's obligation under warranty shall be limited to repair or exchange, at Valley Craft's option, FOB origin factory, of any Valley Craft product or part which proves to be defective as provided herein. Valley Craft reserves the right to either inspect the product at Buyer's location, or require it to be returned to the factory for inspection. The warranty contained herein does not extend to goods damaged, or subject to accident, abuse or misuse after shipment from Valley Craft's factory, nor to goods altered or repaired by anyone other than an authorized Valley Craft representative.

Buyer or user shall not alter, modify or use a Valley Craft product for anything other than its intended function. Valley Craft shall not in any way be responsible for the consequences of any such alteration, modification or misuse.

VALLEY CRAFT MAKES NO EXPRESS WARRANTIES OTHER THAN THOSE WHICH ARE SPECIFICALLY DESCRIBED HEREIN. Any description of the goods sold hereunder, including any references to Buyer's specifications and any descriptions in catalogs, circulars and other written material published by Valley Craft, is for the sole purpose of identifying such goods and shall not create an express warranty that the goods shall conform to such descriptions.

THIS WARRANTY IS EXPRESSLY IN LIEU OF ALL OTHER WARRANTIES, EXPRESS OR IMPLIED. THERE ARE NO IMPLIED WARRANTIES OF MERCHANTABILITY OR FITNESS FOR A PARTICULAR PURPOSE. THIS WARRANTY STATES VALLEY CRAFT'S ENTIRE AND EXCLUSIVE LIABILITY AND BUYER'S EXCLUSIVE REMEDY FOR ANY CLAIM OR DAMAGES IN CONNECTION WITH VALLEY CRAFT PRODUCTS, THEIR DESIGN. SUITABILITY FOR USE, INSTALLATION OR OPERATION OR FOR ANY CLAIMED DEFECTS. VALLEY CRAFT WILL IN NO EVENT BE LIABLE FOR INCIDENTAL OR CONSEQUENTIAL DAMAGES WHATSOEVER, NOR FOR ANY SUM IN EXCESS OF THE PRICE RECEIVED FOR THE GOODS FOR WHICH LIABILITY IS CLAIMED.

## Technical Assistance/Warranty Procedure

### What's Covered:

- Parts and Labor to correct manufacturer's defect within one year of purchase.
- Freight Cost

### What's Not:

- Normal wear items (seal kits, bearings, tires, etc.)

### What Voids the Warranty:

- Dirt/Grime that directly causes malfunction of product
- Abuse (i.e. Overloading, damaged, not properly maintained, etc.)
- Product altered by customer

\*See "Items not Under Warranty" below for items that have the warranty voided.

### Items Under Warranty (less than one year old):

- Warranty replacement parts are provided only when the problem can be identified with near certainty. If not, the customer will return item to Valley Craft, freight collect, for troubleshooting and/or repair. When repaired, product will be returned to customer,



Valley Craft is a modern metals fabricating manufacturer specializing in material handling, storage and specialized solutions designed with safety and usability in mind, and the simplification of even the heaviest of workloads. Since developing the first hand truck with a brake in 1952, Valley Craft has been a true pioneer in safety-conscious material handling and solution-driven products. Our commitment to continuous improvement in a Lean Manufacturing environment results in safe, functional, quality equipment at affordable prices.

**Valley Craft Industries, Inc.**

2001 South Highway 61

Lake City, MN 55041 U.S.A.

**Phone:** (651) 345-3386

**Fax:** (651) 345-6535

**E-Mail:** [customerservice@valleycraft.com](mailto:customerservice@valleycraft.com)

**Website:** [valleycraft.com](http://valleycraft.com)