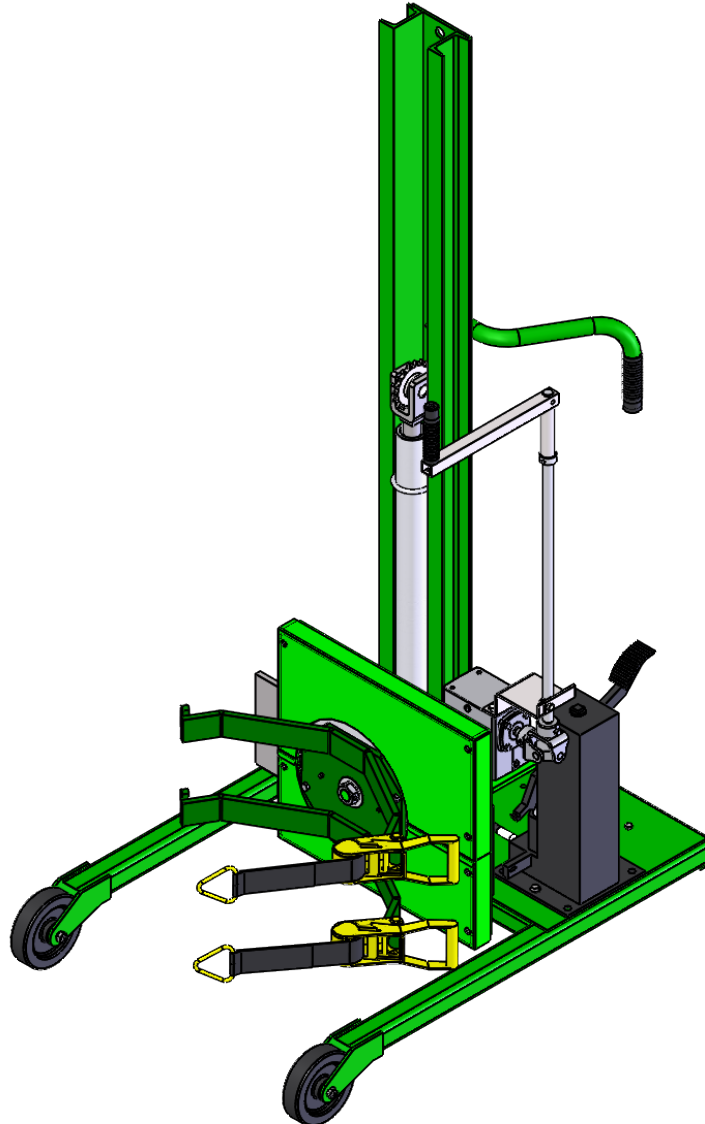




# ROTOLITF-78/90 MANUAL LIFT/ROTATE F88563B9/F88564B8



Instruction Manual

### **Notice to Purchaser**

All statements, technical information, and recommendations related to Valley Craft's products are based on information believed to be reliable, but the accuracy or completeness is not guaranteed. Before using this product, you must determine if it is suitable for your intended application or situation. You assume all risks and liability associated with such use or implementation.

### **Product Testing**

We perform vigorous in-house safety and durability testing to ensure that the performance of our products meets the demands of the workplace. We also expect the same from manufacturers who supply components for our products. We do this to ensure that Valley Craft is a name that our customers trust and associate with quality.

### **Publication Revision Notice**

Following is a history of changes to this publication, including the current revision.

Previously Updated: 06/2022

Last Updated: 02/2023

### **Copyright Notice**

© Valley Craft, Inc. All rights reserved. No part of this publication may be reproduced, photocopied, stored on a retrieval system, or transmitted without the express written consent of Valley Craft.

### **Trademarks**

The Valley Craft logo is a Valley Craft Trademark. All other company or product names are trademarks or registered trademarks of their respective owners. Use of a term in this document should not be regarded as affecting the validity of any trademark or service mark.

## ■ Table of Contents

---

<b>Safety</b> .....	<b>4</b>
• Safety Overview .....	4
• Safety Message Conventions.....	5
• Safety Data Sheet .....	6
• Additional Safety Information.....	6
<b>Product Description</b> .....	<b>7,8</b>
• Features .....	7
• Specifications .....	8
<b>Unpacking and Assembly</b> .....	<b>9</b>
• Receiving and Inspecting .....	9
<b>Operation</b> .....	<b>9</b>
• Operating Procedures .....	9
<b>Maintenance and Adjustments</b> .....	<b>10</b>
• Maintenance and Adjustment Procedures.....	10
<b>Troubleshooting</b> .....	<b>11</b>
• Troubleshooting Procedures .....	11
<b>Replacement</b> .....	<b>11</b>
• Replacement Procedures .....	11
<b>Parts Lists</b> .....	<b>12-21</b>
• Versa-Lift 78 Foot SAE.....	12-14
• Front Section & BOM .....	15-16
• Versa-Lift 90 Foot SAE.....	17-19
• Back Plate & BOM.....	20-21
<b>Warranty</b> .....	<b>22</b>

## Safety



### WARNING

---

*Read and understand all safety information and become familiar with all safety symbols contained in this section before moving, operating or performing maintenance on this equipment.*

### ■ Safety Overview

---

The following general safety precautions must be observed during all phases of operation, service, and repair of this equipment. Failure to comply with these precautions or with specific safety messages elsewhere in this manual may impair the protection provided by the equipment. Such noncompliance would also violate safety standards of design, manufacture, and intended use of the instrument.

- Observe all safety signs posted in your facility.
- Observe warnings, cautions, handling information, storage requirements and other information on all container labels.
- Wear safety glasses with side shields.
- Wear the proper protective clothing, gloves and other protective equipment before handling any chemicals.
- Group the containers for the move by Hazard Class. Do not move acids with toxics, or oxidizers.
- Use maximum care and good judgment in preventing accidents and injuries and seeking first aid.
- Report unsafe conditions, equipment, practices, and on-job injuries.
- Understand your supervisor's instructions. Ask questions if you do not know how to do the job safely.
- Do not engage in tasks which you believe might be unsafe without consulting your supervisor.
- Clean up the work area and equipment upon job completion.
- Before you start work on any electrical system or circuit, check all power sources to ensure that the system or circuit is de-energized.
- Know the hazardous or potentially hazardous substances you work with or are present in your work area. Review Safety Data Sheets (SDS) on these substances, or contact your supervisor.

## ■ **Safety Message Conventions**

---

There are three types of safety notices that may appear in this manual: **Danger**, **Warning** and **Caution** notices. These notices precede the procedural step or portion of text that presents the safety hazard.



### **DANGER**

---

- **DANGER** indicates an imminently hazardous situation which, if not avoided, will result in death or serious injury. This signal word is to be limited to the most extreme situations.
- 



### **WARNING**

---

- **WARNING** indicates a potentially hazardous situation which, if not avoided, could result in death or serious injury.
- 



### **CAUTION**

---

- **CAUTION** indicates a potentially hazardous situation which, if not avoided, may result in minor or moderate injury. It may also be used to alert against unsafe practices
-

### ■ Safety Data Sheets (SDS)

A Safety Data Sheet (SDS) provides information on the safe use, handling and potential hazards of a product. This information assists with the proper response in the event of an emergency.

Valley Craft maintains safety data sheets (SDSs) on all our products. You are urged to obtain copies of the relevant SDSs before using our products to protect yourself and others against any known health or safety hazards described in these SDSs. Valley Craft strives to make safety a top priority. Do not hesitate to contact us to discuss any safety aspects of our products.

**The relevant SDS codes for Valley Craft products are listed below.**

- [www.conocophillips.com](http://www.conocophillips.com)  
Super ATF Transmission Oil, MSDS Code 778846  
Super-Sta Grease, SDS Code 775440
- [www.batteriesplus.com](http://www.batteriesplus.com)  
Sealed Lead Acid Battery  
SLA for English version  
SLA Sp for the Spanish version
- [Paint](#)  
Contact Valley Craft Customer Service at 1-800-328-1480 or on the Web at [customerservice@valleycraft.com](mailto:customerservice@valleycraft.com)

### ■ Additional Safety Information

As with any mechanical device, care must be taken during the installation, operation, and maintenance of the device in order to realize the maximum benefit from its ownership.

When raising and lowering the load, be aware of pinch points. Keep hands and feet away from these areas.

When transporting a load, it is recommended that the load is lowered as close to the floor as possible to reduce the chance of accidents during transport.

Do not leave load suspended for an extended period of time or premature wear to the lifting cylinder may occur.

**Note:** All personnel involved in the use and maintenance of this device should be thoroughly familiar with the information contained in this manual. Furthermore, it is recommended that all personnel be given adequate instruction and a sufficient period of training in its actual use to insure safety of personnel and proper care of the equipment. It is suggested that the units be initially operated empty until becoming familiar with how the unit handles.

## Product Description

The **Versa-Lift** multi-purpose positioner is manually-propelled with a single-post design to provide high visibility. Efficiently performs medium-duty and “in between” handling tasks.

### ■ Features

---

The **Versa-Lift** offers state-of-the-art design with many advanced features.

- Rear swivel polyurethane casters with front polyurethane wheels allows operator to perform medium-duty handling tasks.
- Foot operated heavy duty pump to raise and lower the attachment.
- Straddle type single post frame design provides for high visibility and straddles objects less than 25 in. wide.

## ■ Versa-Lift 78 Foot Specifications

Dimensions	30 in wide x 42 in deep x 78 in tall
Weight	335 lbs
Load Capacity	With out attachment 1000 lbs. With attachment 800 lbs.
Power	<b>Manual Foot Pump</b>
Lift Travel	<b>58 in.</b>
Hydraulic Fluid Capacity	<b>64 ounces</b>
Wheels	<b>Rear - 4 x 1 ½ Polyurethane Swivel Caster Front – 3 x 1 ¼ Polyurethane Wheel</b>

## ■ Versa-Lift 90 Foot SAE Specifications

Dimensions	30 in wide x 42 in deep x 90 in tall
Weight	357 lbs
Load Capacity	With out attachment 1000 lbs. With attachment 800 lbs.
Power	<b>Manual Foot Pump</b>
Lift Travel	<b>51 in.</b>
Hydraulic Fluid Capacity	<b>64 ounces</b>
Wheels	<b>Rear - 4 x 1 ½ Polyurethane Swivel Caster Front – 3 x 1 ¼ Polyurethane Wheel</b>



## ■ Receiving and Inspecting

---



### CAUTION

---

When unpacking the **Versa-Lift**, inspect the equipment for damage or mishandling. If damage is noted, file a damage claim with the carrier within 24 hours and call Valley Craft at 1-800-328-1480.

Do not attempt to use the equipment if damaged.

Compare the contents of the shipment with the bill of lading. Report any missing items to the carrier and to Valley Craft immediately.

## ■ Operating Procedures

---

Only authorized personnel are permitted to use the **Versa-Lift**. Every load and every situation is different. Every lift must be evaluated and planned. Observe the following procedures when using this equipment.

- Install the desired Versa-Lift attachment to the back plate. Making sure the attachment is secured tightly before operating.
- To raise the attachment, pump the foot pedal located on the hydraulic pump until desired height of attachment is achieved.
- To lower the attachment, depress the foot pedal release located on the hydraulic pump until desired height of attachment is achieved.

## Maintenance and Adjustments

### ■ Maintenance and Adjustment Procedures

To keep the **Versa-Lift** operating properly, timely maintenance and adjustments are required. These procedures should be performed only by qualified personnel who are familiar with the equipment.

As with any mechanical hydraulic actuator (piston rods, rotating pump shaft, etc.) the shaft will become coated with a minute amount of oil from the internal high pressure system. The rod protruding from the cylinder and foot pump may feel damp with oil after use. This is desirable because the oil coating serves to lubricate the shaft seal, reducing friction and assuring extended seal life.

Maintenance and adjustment procedures are shown in Table 1.

*Table 1. Maintenance and Adjustment Procedures*

Component	Frequency	Operation	Procedure
Cylinder	As required	Leaking hydraulic fluid	Replace seal. Order Z20768A5 Seal Kit
Foot Pump	As required	Leaking hydraulic fluid	Replace seal. Order Z20032A9 Seal Kit
Chain	As required	Lubricate	Oil Chain
Hydraulic Fluid	Every 40 hours or after long set-aside periods	Check Fluid	Make sure cylinder is fully retracted. Fill Reservoir to within 1 in. to 2 in. of the fill hole. Use super ATF Transmission Fluid.
	Yearly	Flush hydraulic system	Drain all hydraulic fluid and replace with 64 ounces of Super ATF Transmission Fluid. Make sure cylinder is full retracted.
Hydraulic System	At Start of Shift	Operate	Fully extend lift cylinder to purge oil from rod end of cylinder
Nylon Straps	At Start of Shift	Visually Inspect	Check nylon straps for ware and replace as necessary

## Troubleshooting

### ■ Troubleshooting Procedures

The **Versa-Lift** is a quality product that is designed and manufactured to provide prolonged service under normal operating conditions. If troubleshooting is required, it should be performed only by qualified personnel who are familiar with the equipment.

### ■ Replacement Procedures

Occasionally, it will be necessary to replace a part that has been Damaged or worn. Many parts on this Versa-Lift are replaceable. If Replacement of a part is required, it should be performed only by Qualified personnel who are familiar with the equipment.

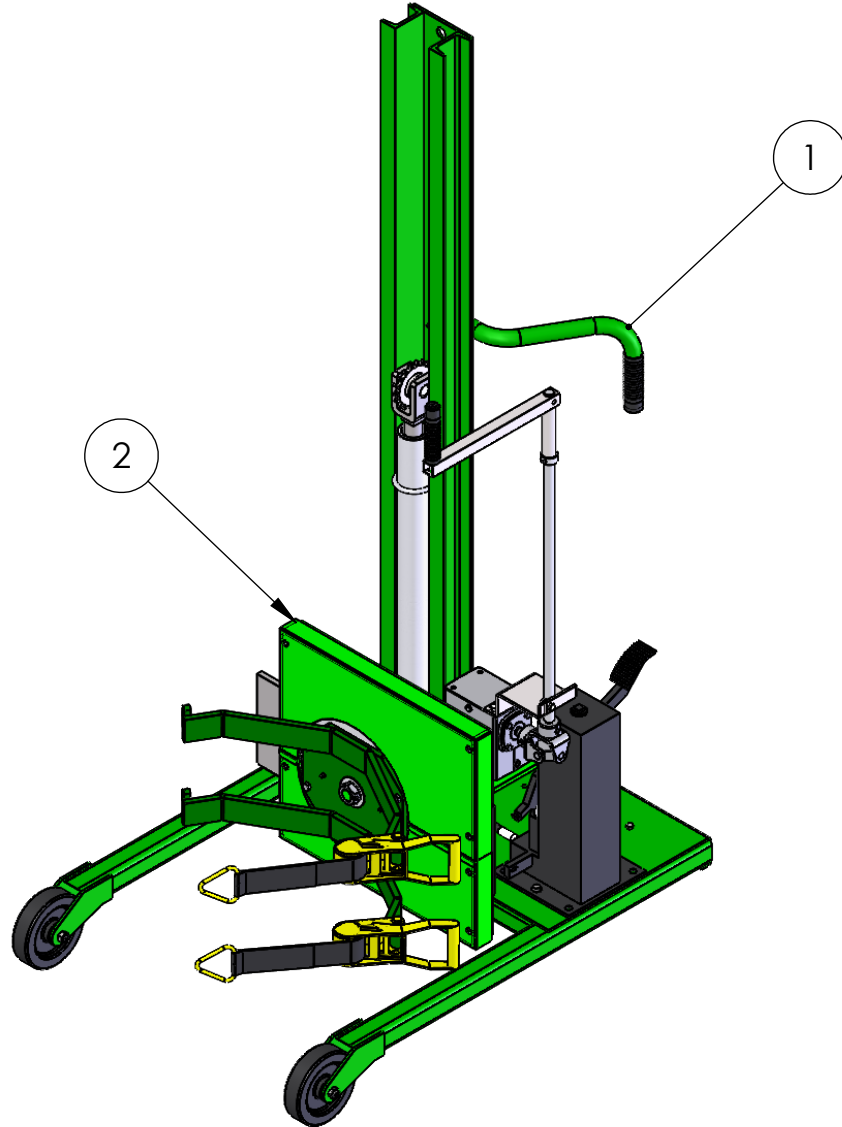
See Sheet 12-15 for available replacement parts. Identify the part number you need. Contact Valley Craft Customer Service at 1-800-328-1480 or on the Web at [customerservice@valleycraft.com](mailto:customerservice@valleycraft.com).

Information required when contacting Valley Craft:

- A. Company name and address
- B. Contact persons name
- C. Telephone number
- D. E-Mail address
- E. Model Number
- F. Date of manufacture
- G. Part number of Parts ordering

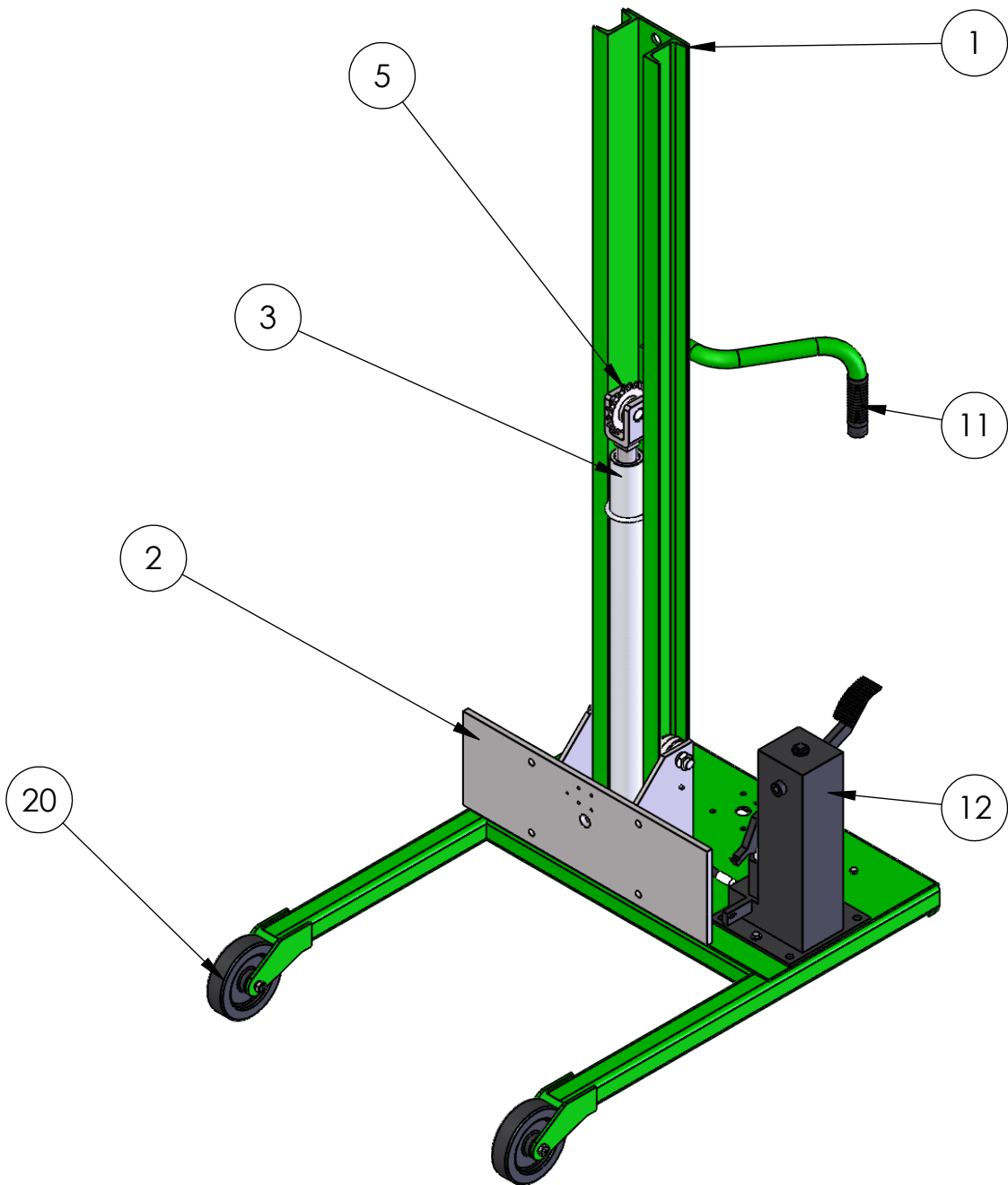
The model number and date of manufacture is stamped on a metal tag located on the frame above the push handle.

## Versa Lift- 78 Foot SAE



ITEM NO.	PART NUMBER	DESCRIPTION	QTY.
1	F88567B5	SL-78 FOOT SAE	1
2	F89156	DRM ROTATOR	1

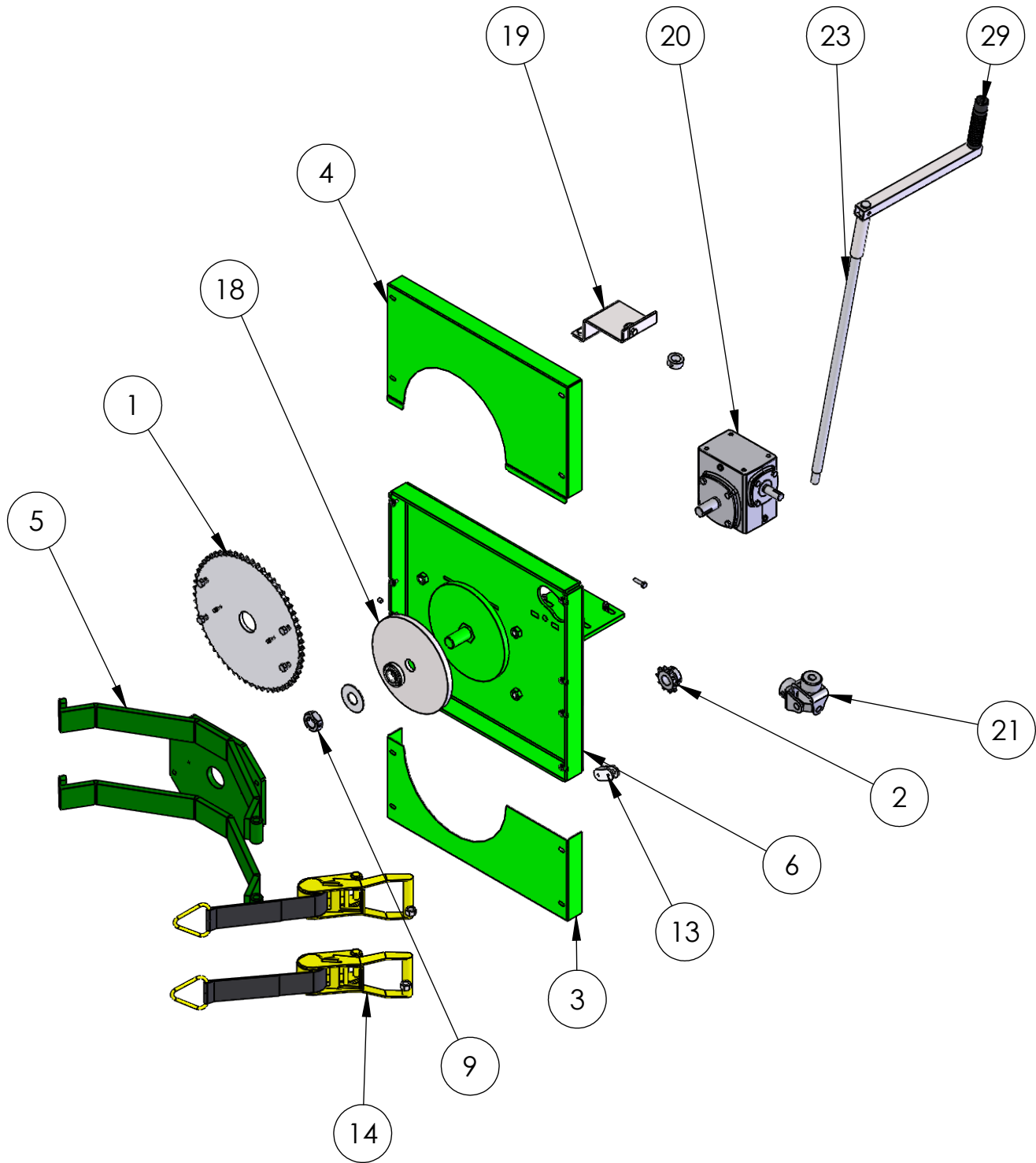
F88567B5 78" Manual Lift



## ROTOLIFT-78 MAN/SAE

ITEM NO.	PART NUMBER	DESCRIPTION	Default/LOWERED/ QTY.
1	F64331A0	SL WLDMT-78	1
2	F64367A4	BACK PL ASSY	1
3	Z20753A0	CYL ASSY-78 SAE	1
4	Z30476A8	AXLE BOLT ASSY, GREASE, 1/2' X 3"	2
5	F63091A3	SPROCKET ASSY-50C18 BRG 1.01	1
6	Z10072A1	PIN-SPG 1/4X1-1/2	1
7	F52067A6	PIN-CLEVIS 1.00X2.375	1
8	Z10241A7	BOLT-U 5/16-18 X 2-1/2	1
9	Z10113A2	S-HHC 1/4-20X1-1/4	2
10	Z10043A7	NUT-NYL NE 1/4-20	2
11	Z50085A2	GRIP-HDL 1-1/4" BLK	2
12	Z20225A6	PUMP-FOOT/ROTO MAN	1
13	F60860A8	RLR CHAIN ASSY-78	1
14	Z40469A9	DECAL-LOAD CAP 800	1
15	Z20734A0	BREATHER 4 SAE SINTERED--COMES WITH CYLINDERS	1
16	Z30228A2	CSTR-4X1-1/2 SWL PCI	2
17	Z10200A6	WASHER-1/4 FLAT USS	12
18	Z10123A0	S-HHC 5/16-18X1	10
19	Z10036A6	NUT-HEX KEPS 5/16-18	12
20	Z31606A9	WHL-6 x 1-1/2 PCI, W/BUSHING	2
21	Z20742A1	HOSE-56.00/604/613	1

# ROTOLIFT-78 MAN/SAE

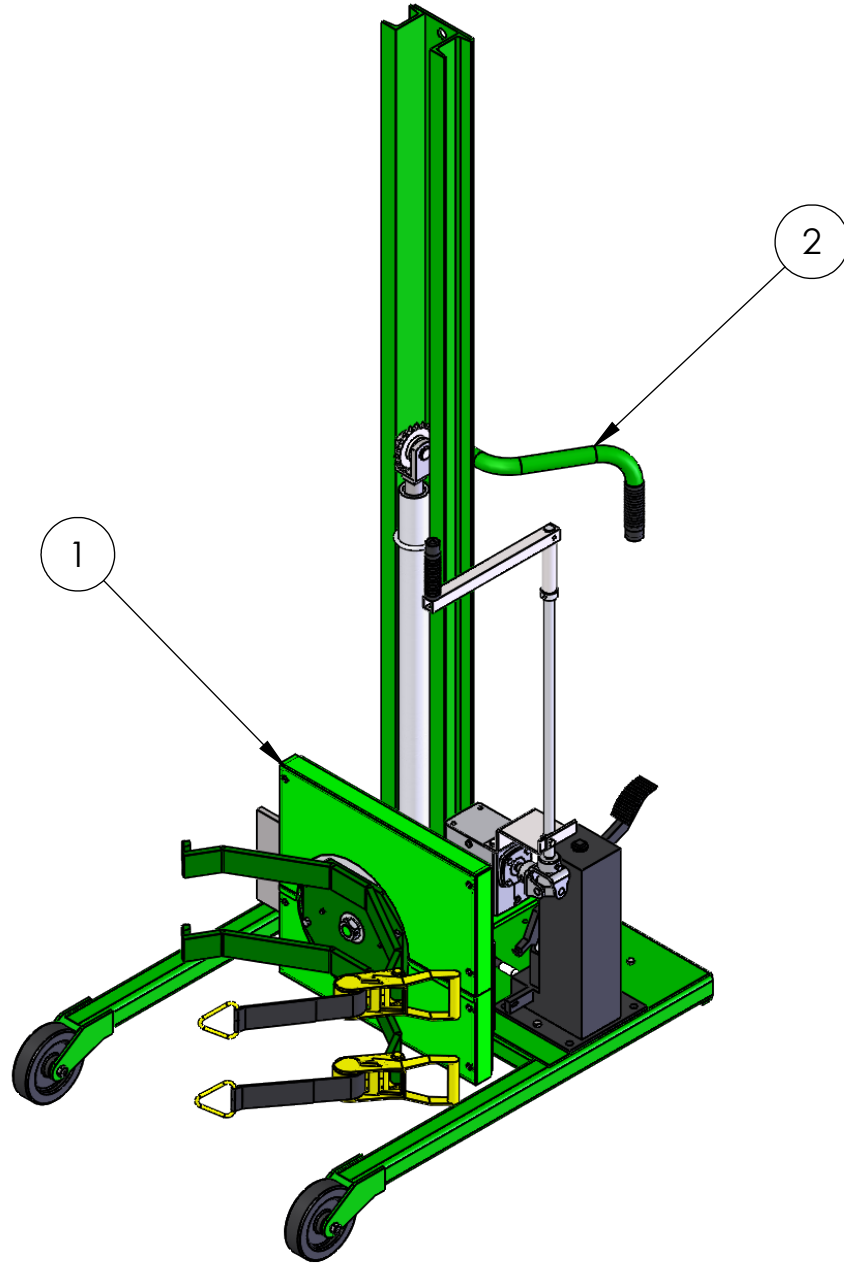


## ROTOLIFT-78 MAN/SAE

ITEM NO.	PART NUMBER	DESCRIPTION	Exploded View/QTY.
1	F52650A9	SPROCKET-LARGE	1
2	Z30796A4	SPROCKET-SM 7/8" SHAFT	1
3	F57633	BTM SPROCKET GUARD/ROTOLIFT	1
4	F57632	TOP SPROCKET GUARD/ROTOLIFT	1
5	F62629A6	FRT SECT WLDMT/ROTO	1
6	F69493A2	BACK SECTION WLDMT/ROTO-LIFT	1
7	Z10166A8	S-HHTC #10-24X1/2	8
8	Z30420A8	BRG-TAPER ROLL 1" BOR	1
9	F52527A0	NUT-LOCK 1-14/DT	1
10	Z10090A9	S-SHS 5/16-18X3/8	2
11	Z10132A9	S-HHC 3/8-16X1	8
12	Z10627A7	ZERK-GREASE .188 DRIVE	2
13	F30214A4	CHAIN-RS 50/46"	1
14	F62980A9	RATCHET ASSY-2.0X53.00 7000	2
15	Z10013A3	WASHER-1 ID X 2-7/16 X 5/64	1
16	Z10640A3	S-HHC 1/2-13X1-1/4 GR 5	4
17	Z10216A8	WASHER-1/2 LOCK MD	4
18	F57491	SPACER PLATE-1/2X 8-1/2RD	1
19	F57758	BRKT-HDL	1
20	Z30794A6	SPEED REDUCER 1:5	1
21	Z30795A5	U-JNT/ROTO MAN	1
22	Z10214A0	WASHER-3/8 LOCK MD	4
23	F57757	SHAFT HDL	1
24	F58630A1	LOCK-HDL	1
25	F58631A0	SLEEVE-HDL GRIP	1
26	F58633A8	ARM HDL	1
27	Z10045A5	NUT-NYL NE 5/16-18	1
28	Z10122A1	S-HHC 5/16-18X3/4	1
29	Z50014A8	GRIP-HDL 1" BLK	1
30	Z50030A8	HDL-BLK/DTILT	1
31	Z10131A0	S-HHC 3/8-16X5/8	2
32	Z10020A4	NUT-HEX FULL 1/2-13	2
33	F30230A0	COLLAR LCK 49/64 ID	1
34	Z10299A8	WASHER-3/16 FLAT SAE	8
35	Z10112A3	S-HHC 1/4-20X1	1



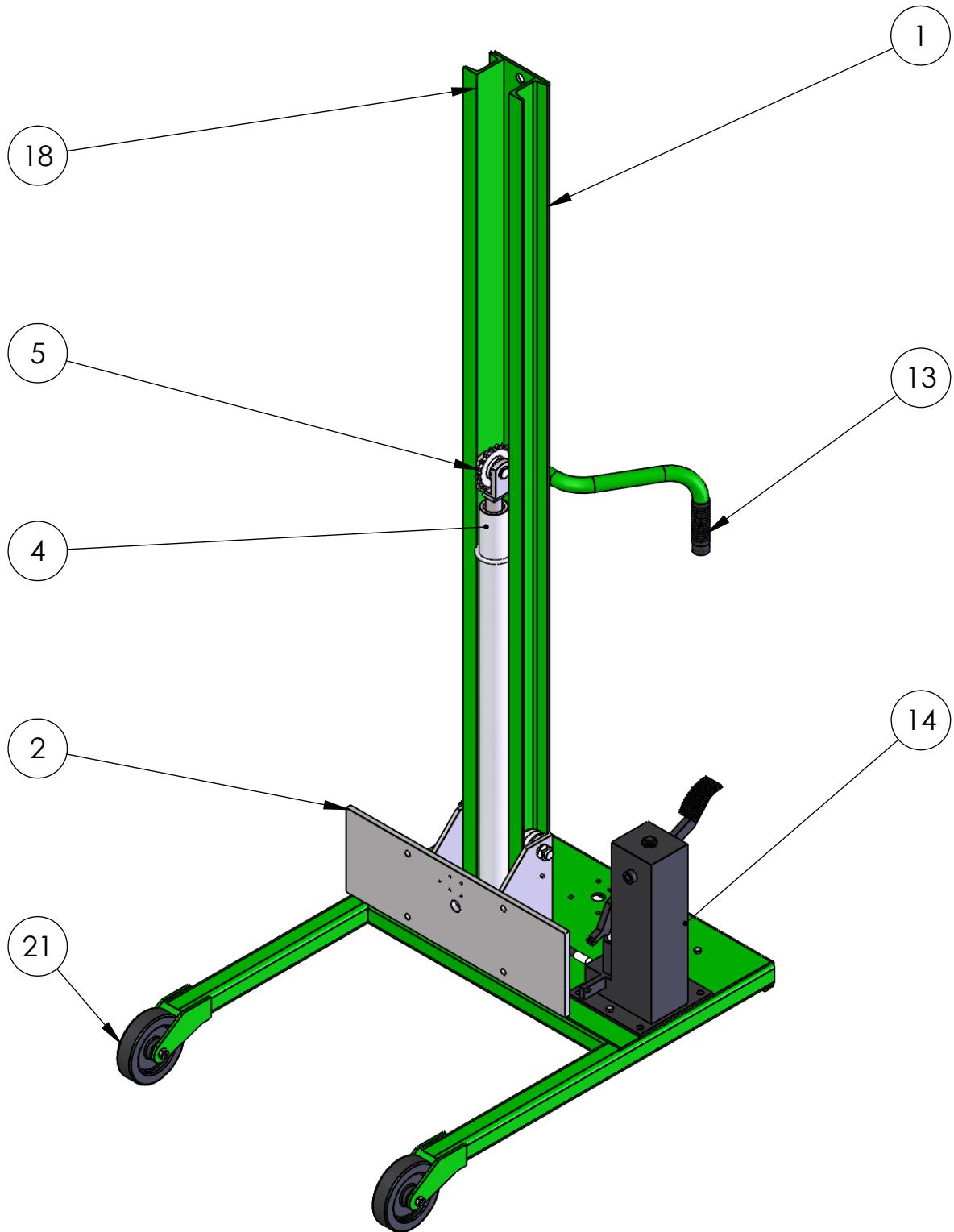
## Versa Lift- 90 Foot SAE



ITEM NO.	PART NUMBER	DESCRIPTION	QTY.
1	F89156	DRM ROTATOR	1
2	F88568B4	SL-90 FOOT SAE	1

ROTOLIFT-78 MAN/SAE

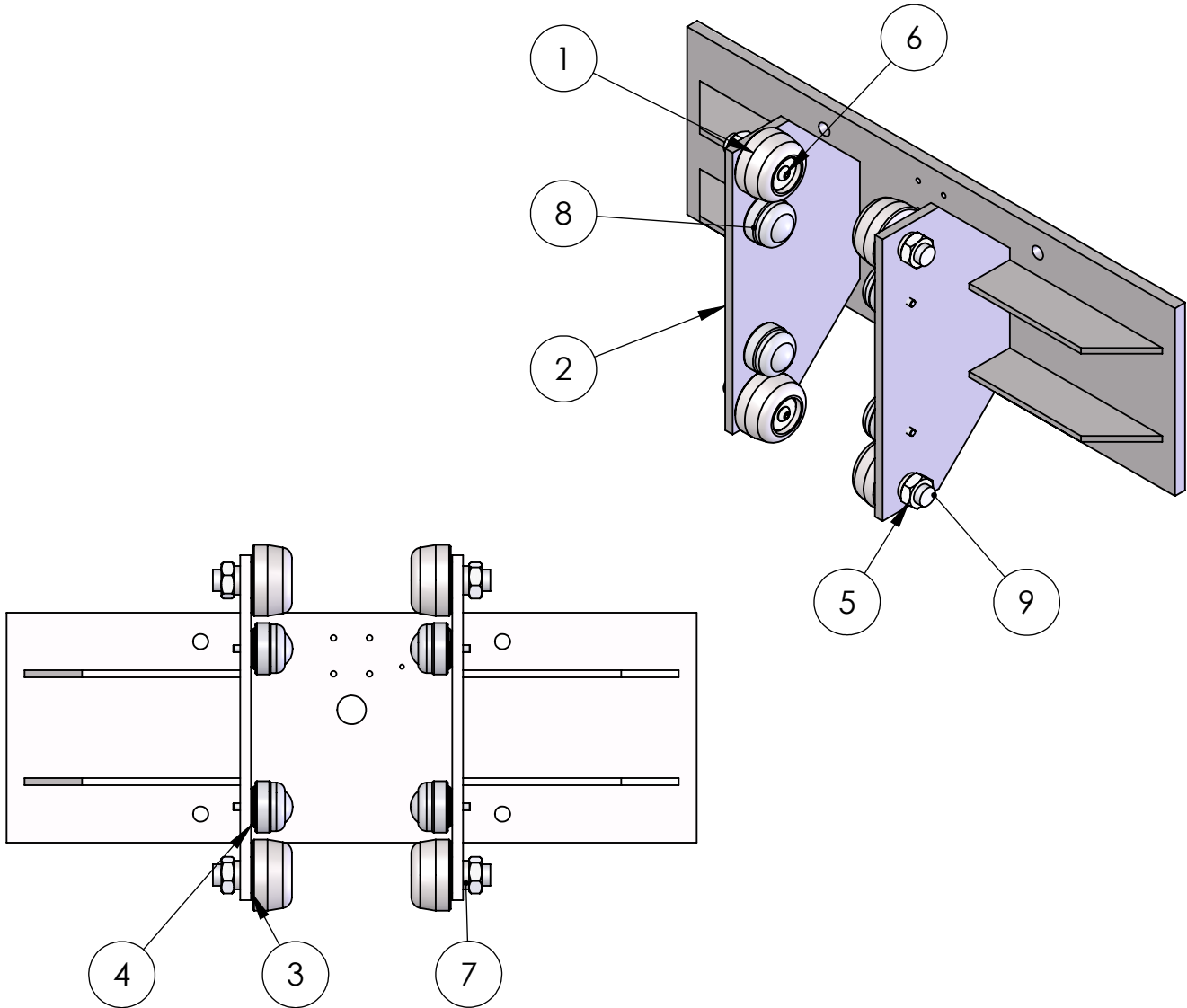
F88568B4 90" Manual Lift



## ROTOLIFT-78 MAN/SAE

ITEM NO.	PART NUMBER	DESCRIPTION	Default/QTY.
1	F64328A3	SL WLDMT-90	1
2	F64367A4	BACK PL ASSY	1
3	Z30228A2	CSTR-4X1-1/2 SWL PCI	2
4	Z20754A9	CYL ASSY-90 SAE	1
5	F63091A3	SPROCKET ASSY-50C18 BRG 1.01	1
6	Z10123A0	S-HHC 5/16-18X1	10
7	Z10036A6	NUT-HEX KEPS 5/16-18	10
8	Z10072A1	PIN-SPG 1/4X1-1/2	1
9	F52067A6	PIN-CLEVIS 1.00X2.375	1
10	Z10241A7	BOLT-U 5/16-18 X 2-1/2	1
11	Z10113A2	S-HHC 1/4-20X1-1/4	2
12	Z10043A7	NUT-NYL NE 1/4-20	2
13	Z50085A2	GRIP-HDL 1-1/4" BLK	2
14	Z20225A6	PUMP-FOOT/ROTO MAN	1
15	Z20734A0	BREATHER 4 SAE SINTERED--COMES WITH CYLINDERS	1
16	Z10201A5	WASHER-5/16 FLAT USS	2
17	Z10045A5	NUT-NYL NE 5/16-18	2
18	F61446A9	RLR CHAIN ASSY-84	1
19	Z10186A4	S-SHC 1/4-20X1/2 GR8	4
20	Z10207A9	WASHER-1/4 LOCK INT TOOTH	4
21	Z31606A9	WHL-6 x 1-1/2 PCI, W/BUSHING	2
22	Z30476A8	AXLE BOLT ASSY, GREASE, 1/2' X 3"	2
23	Z20742A1	HOSE-56.00/604/613	1

## ROTOLIFT-78 MAN/SAE



ITEM NO.	PART NUMBER	DESCRIPTION	Default/ QTY.
1	F64056A3	GUIDE RLR-BRG ASSY	4
2	F64335A6	BACK PL WLDMT	1
3	Z10008A0	BUSH-MACH 6H 3/4x18GAx1-1/4 OD	4
4	Z10042A8	WASHER-5/16 FNDR X 1-1/4 OD	8
5	Z10461A0	NUT-HEX JAM 3/4-16	4
6	Z10539A9	S-BHSC 5/16-18x3/4	4
7	Z10594A0	WASHER-3/4 LOCK MD	4
8	Z30700A8	BALL TRANSFER-STUD MNT 1/4-20	4
9	Z51355A9	GUIDE BOLT-3/4-16 1.00X1.14	4

## Warranty and Limitation of Liability

Valley Craft products are warranted for a period of one (1) year from date of shipment from Valley Craft's plant to be free from defects in material and workmanship under correct use, normal operation and proper application. However, parts of other than Valley Craft manufacture are subject ONLY to the original manufacturer's warranty. Valley Craft's obligation under warranty shall be limited to repair or exchange, at Valley Craft's option, FOB origin factory, of any Valley Craft product or part which proves to be defective as provided herein. Valley Craft reserves the right to either inspect the product at Buyer's location, or require it to be returned to the factory for inspection. The warranty contained herein does not extend to goods damaged, or subject to accident, abuse or misuse after shipment from Valley Craft's factory, nor to goods altered or repaired by anyone other than an authorized Valley Craft representative.

Buyer or user shall not alter, modify or use a Valley Craft product for anything other than its intended function. Valley Craft shall not in any way be responsible for the consequences of any such alteration, modification or misuse.

VALLEY CRAFT MAKES NO EXPRESS WARRANTIES OTHER THAN THOSE WHICH ARE SPECIFICALLY DESCRIBED HEREIN. Any description of the goods sold hereunder, including any references to Buyer's specifications and any descriptions in catalogs, circulars and other written material published by Valley Craft, is for the sole purpose of identifying such goods and shall not create an express warranty that the goods shall conform to such descriptions.

THIS WARRANTY IS EXPRESSLY IN LIEU OF ALL OTHER WARRANTIES, EXPRESS OR IMPLIED. THERE ARE NO IMPLIED WARRANTIES OF MERCHANTABILITY OR FITNESS FOR A PARTICULAR PURPOSE. THIS WARRANTY STATES VALLEY CRAFT'S ENTIRE AND EXCLUSIVE LIABILITY AND BUYER'S EXCLUSIVE REMEDY FOR ANY CLAIM OR DAMAGES IN CONNECTION WITH VALLEY CRAFT PRODUCTS, THEIR DESIGN. SUITABILITY FOR USE, INSTALLATION OR OPERATION OR FOR ANY CLAIMED DEFECTS. VALLEY CRAFT WILL IN NO EVENT BE LIABLE FOR INCIDENTAL OR CONSEQUENTIAL DAMAGES WHATSOEVER, NOR FOR ANY SUM IN EXCESS OF THE PRICE RECEIVED FOR THE GOODS FOR WHICH LIABILITY IS CLAIMED.

## Technical Assistance/Warranty Procedure

### What's Covered:

- Parts and Labor to correct manufacturer's defect within one year of purchase.
- Freight Cost

### What's Not:

- Normal wear items (seal kits, bearings, tires, etc.)

### What Voids the Warranty:

- Dirt/Grime that directly causes malfunction of product
- Abuse (i.e. Overloading, damaged, not properly maintained, etc.)
- Product altered by customer

\*See "Items not Under Warranty" below for items that have the warranty voided.

### Items Under Warranty (less than one year old):

- Warranty replacement parts are provided only when the problem can be identified with near certainty. If not, the customer will return item to Valley Craft, freight collect, for troubleshooting and/or repair. When repaired, product will be returned to customer,



Valley Craft is a family-owned company based in Minnesota. Founded in 1953 with the introduction of the first hand truck with a brake, Valley Craft has grown to be a world class manufacturer known for producing material handling, storage, and safety solutions that truly stand the test of time.

Our commitment to building only the most rugged and reliable products - together with a relentless and uncompromising dedication to customer satisfaction is what sets Valley Craft apart.

Through thoughtful and intelligent design, we have helped transform the way people work. Over the years, we have helped solve some of the most complex material handling challenges. We help our customers to become better organized and to work smarter, safer, and more efficiently. As our breadth of products continues to evolve with every new innovation, our core values stay the same:

Professional Grade Quality.... Built to Last.... Made in the U.S.A.

**Valley Craft, Inc.**

2001 South Highway 61

Lake City, Minnesota 55401 U.S.A.

[www.valleycraft.com](http://www.valleycraft.com) 

[customerservice@valleycraft.com](mailto:customerservice@valleycraft.com) 

651-345-3386 